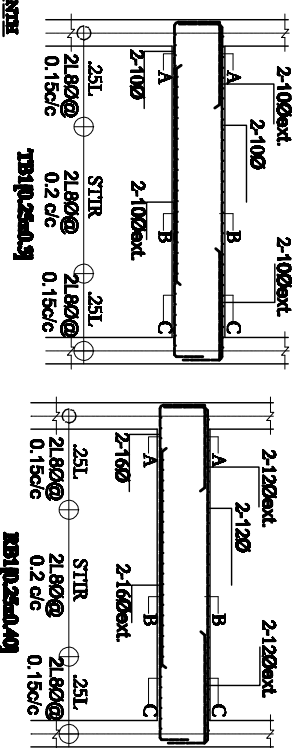
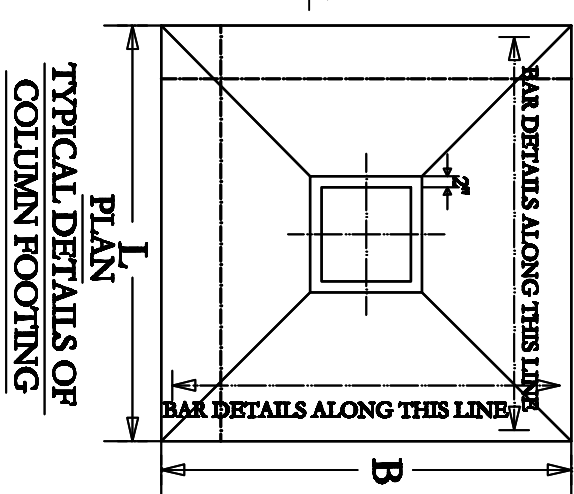
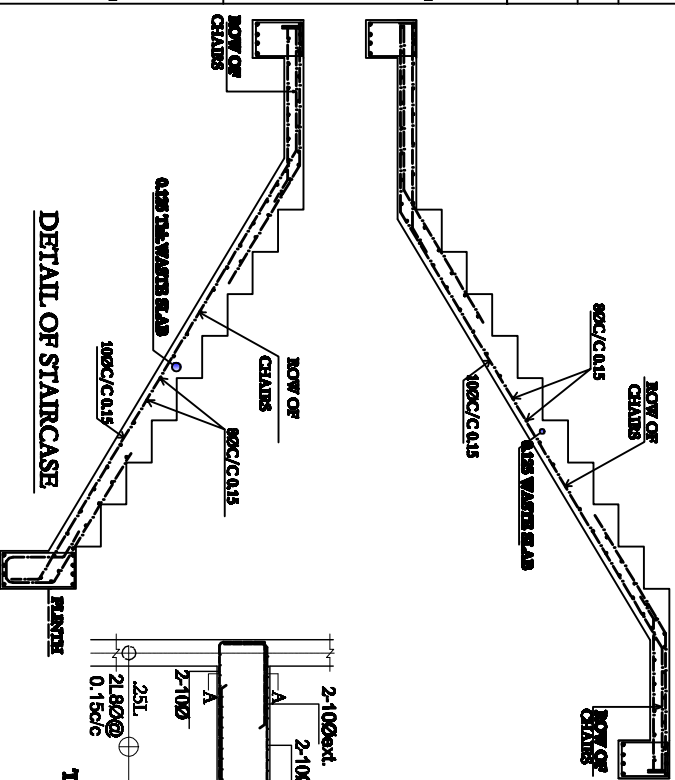


PANEL MKD & SLAB THK	REINFORCEMENT			
	AST AS SHORT	TOP AS SHORT	AST AS LONG	TOP AS LONG
S-0110	8Ø @ 0.15 c/c	8Ø @ 0.3 c/c CRND	8Ø @ 0.15 c/c	8Ø @ 0.3 c/c CRND
		+8Ø @ 0.3 c/c EXXT		+8Ø @ 0.3 c/c EXXT

COLUMN MKD.	COLUMN SIZE	COLUMN SCHEDULE		STRIRRUPS:
		REINFORCEMENT	COLUMN SHAPE	
C1	0.25x0.3	2-12Ø	2-12Ø	8 Ø @ 0.150 C/C (2L)
C2	0.25x0.45	2-16Ø	2-12Ø	8 Ø @ 0.150 C/C (2L)



STRUCTURAL DRAWINGS

OWNER-
Smt. ANKITA KUMARI
D/O Sd. RAMESH PRASAD YADAV
JAMSHEDPUR

PLOT DETAILS-
HOLDING NO : 337
KASIDH AREA,
JAMSHEDPUR

DOOR WINDOW AND VENTILATION DETAIL

1	D	1.60x 2.215M	Flushed top edge above door
2	DH	0.90x2.15M	Flushed top edge above door
3	DM	0.70x2.15M	Flushed top edge above door
4	W	1.80x1.2M	Flushed top edge above door
5	VI	0.60x1.2M	Flushed top edge above door
6	VI	1.20x1.2M	Flushed top edge above door
7	VI	0.50x1.2M	Flushed top edge above door
8	VI	1.20x0.60M	Top hung steel window
9	V	0.60x0.60M	Top hung steel window

- Notes- Also detail to be supplied as follows:-
1. FOUNDATIONS - R.C.C. LAB WITH BECK WORK 147 TO STANDARD.
 2. D.P.C. - 1" THICK D.P.C. AT BENCHING.
 3. D.P.C. - 1" THICK D.P.C. AT BENCHING.
 4. FLOORING - 100mm THICK CONC. WITH SANDFILL 150mm THICKNESS WITH 100mm CURVE.
 5. ROOF - 150mm THICK R.C.C. LAB WITH AVERAGE 150mm THICKNESS WITH 100mm CURVE.
 6. ROOF FLOOR - 150mm THICK R.C.C. LAB WITH SANDFILL 150mm THICKNESS WITH 100mm CURVE.
 7. PARTS - 150mm THICK CURRY PARTS TO BE PROVIDED IN AREA AND OPEN AREA IN AREA.
 8. TOWER - 150mm THICK CURRY PARTS TO BE PROVIDED IN AREA AND OPEN AREA IN AREA.
 9. ROOF - 150mm THICK R.C.C. LAB WITH AVERAGE 150mm THICKNESS WITH 100mm CURVE.
 10. WINDOW - 150mm THICK R.C.C. LAB WITH SANDFILL 150mm THICKNESS WITH 100mm CURVE.

GENERAL SPECIFICATIONS -
R.C.C. LAB WITH BECK WORK 147 TO STANDARD.
D.P.C. - 1" THICK D.P.C. AT BENCHING.
FLOORING - 100mm THICK CONC. WITH SANDFILL 150mm THICKNESS WITH 100mm CURVE.
ROOF - 150mm THICK R.C.C. LAB WITH AVERAGE 150mm THICKNESS WITH 100mm CURVE.
ROOF FLOOR - 150mm THICK R.C.C. LAB WITH SANDFILL 150mm THICKNESS WITH 100mm CURVE.
PARTS - 150mm THICK CURRY PARTS TO BE PROVIDED IN AREA AND OPEN AREA IN AREA.
TOWER - 150mm THICK CURRY PARTS TO BE PROVIDED IN AREA AND OPEN AREA IN AREA.
SIGNATURE OF OWNER: _____

CONTRACTOR'S SIGNATURE: _____
DATE: _____
OFFICE: _____

ENGINEER: _____
OFFICE: _____