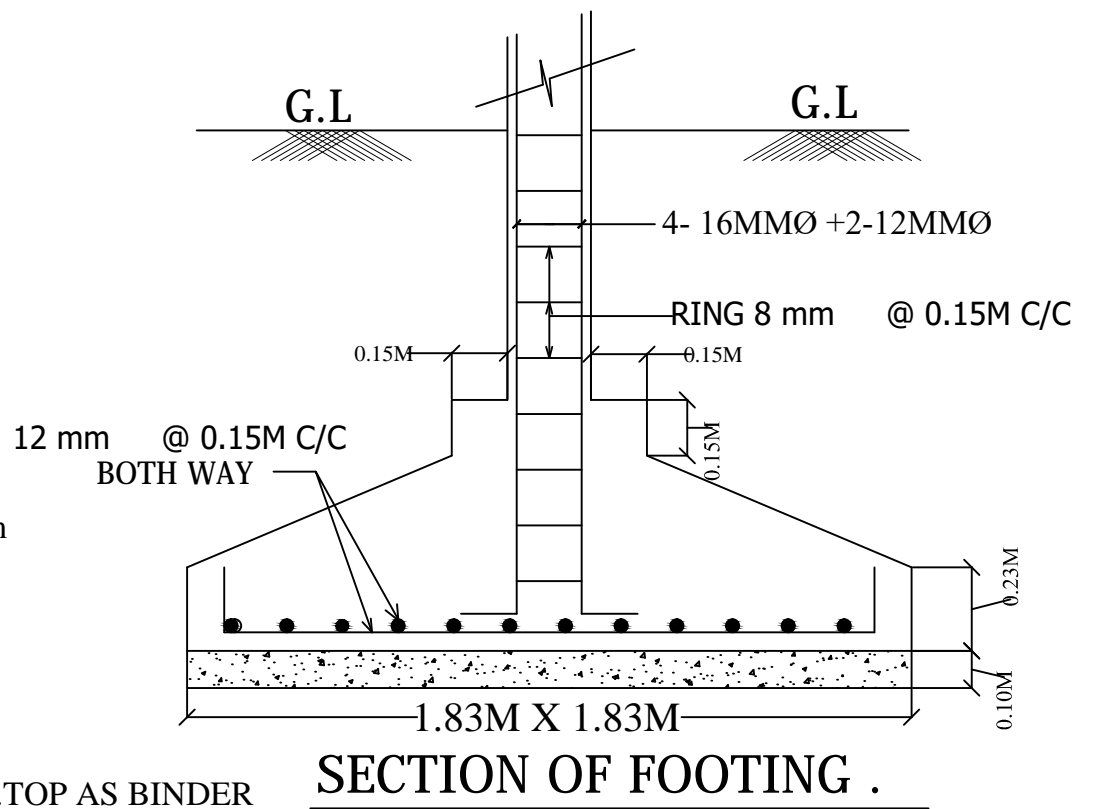
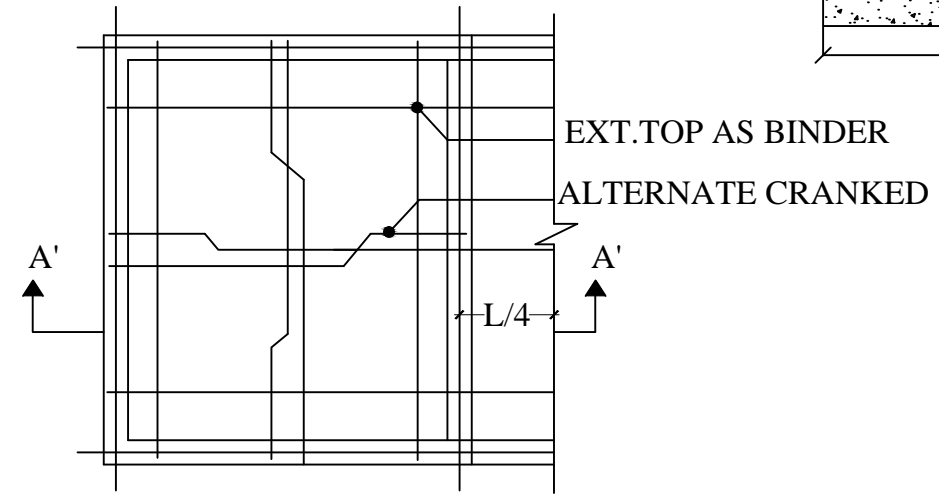


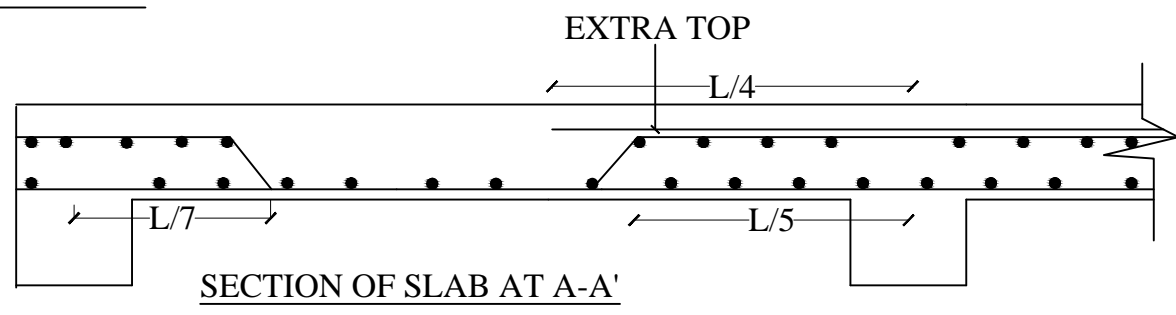
PLAN OF ISOLATED FOOTING



SECTION OF FOOTING .



TYPICAL REINFORCEMENT DETAIL



SECTION OF SLAB AT A-A'

Structure Detail