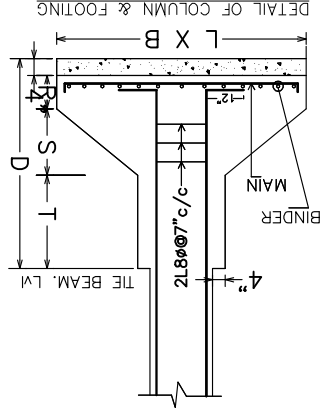
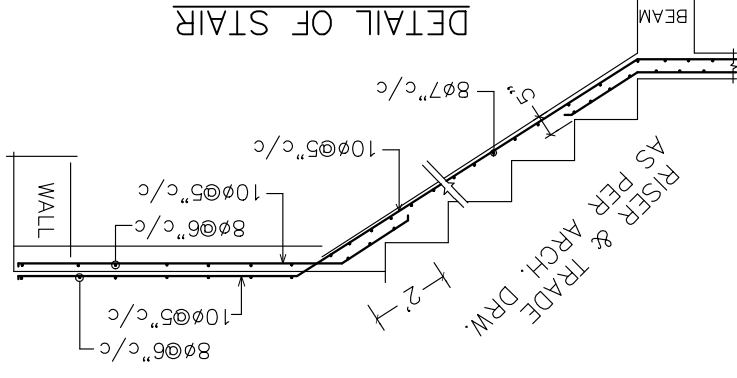
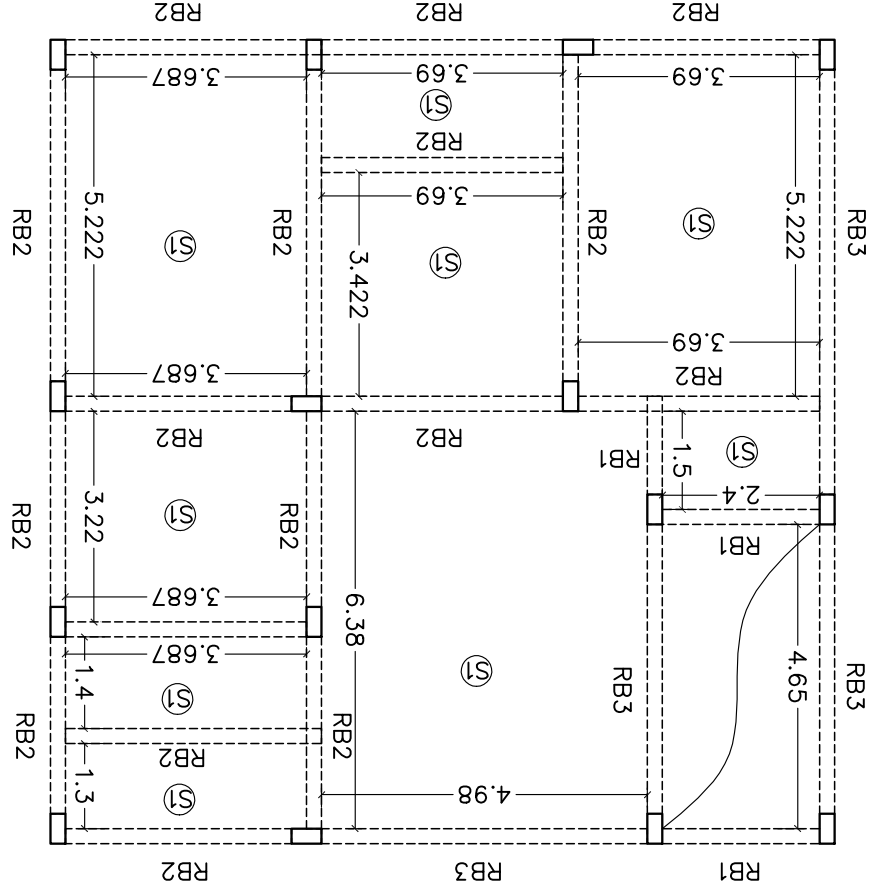
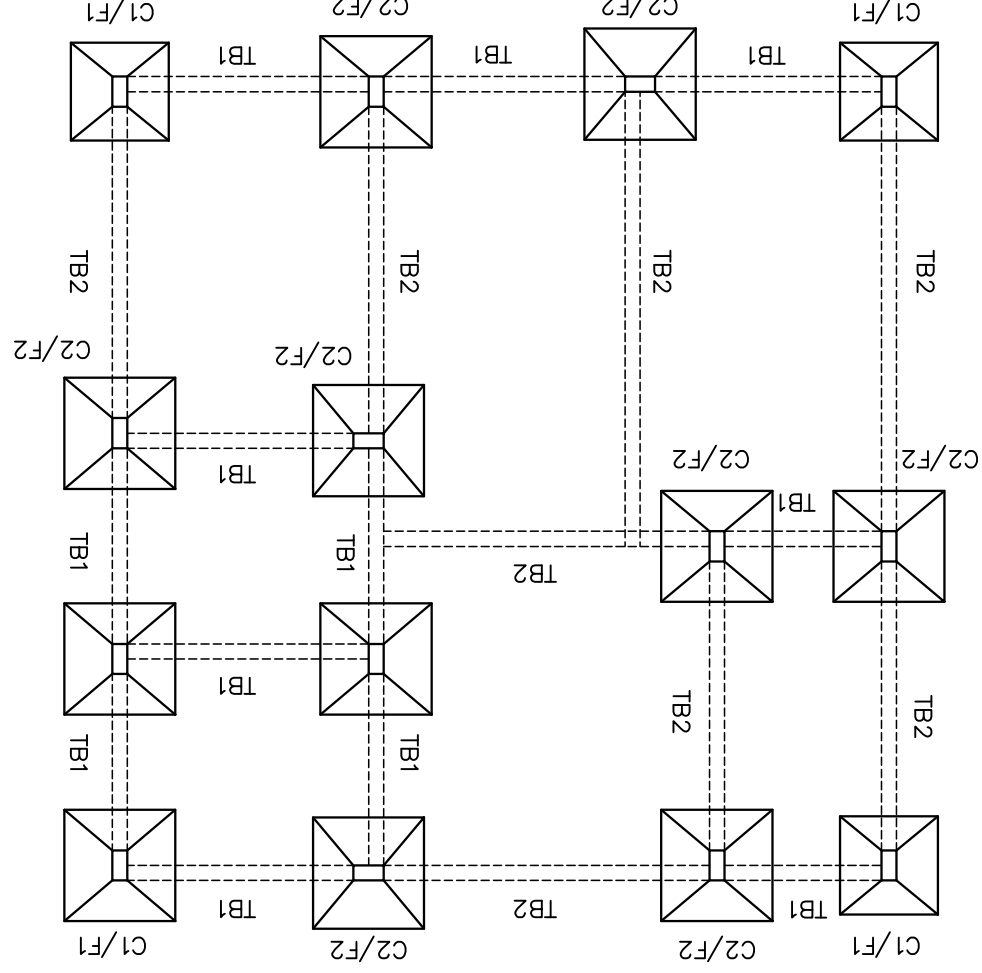
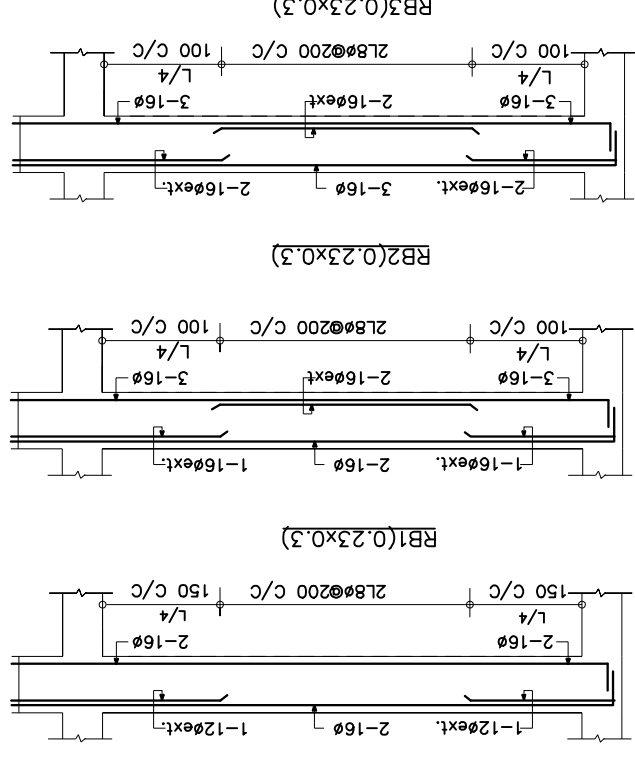
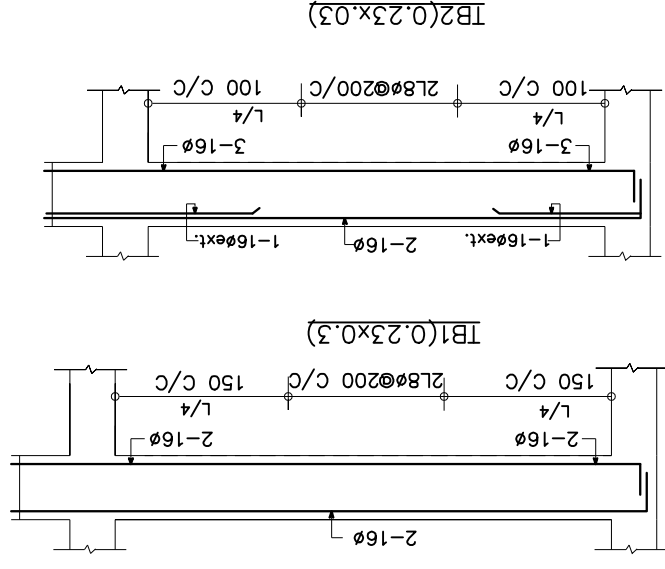


PROPOSED RESIDENTIAL BUILDING PLAN OF  
 MRS. NARENDER KAUR  
 AT HOLDING NO. 486,  
 KASIDH AREA, JAMSHEDPUR,  
 DISTRICT - EAST SINGHBHUM



FOUNDATION TO ROOF LEV.		SIZE	STIRRUPS	
			8 mm TOR @ 175 c/c	
			GRADE OF CONCRETE - M20	
		C1	4-12-4-16	4-16 - 4-16
		C2	15"	15"

FOOTING SIZE & DETAIL		FOOTING SIZE	DEPTH	REINFORCEMENT	MKKED	
		L	B	D	LENGTH	BREDTH
C1/F1	1.5	1.8	10@150 c/c	10@150 c/c	1.5	1.8
C2/F2	1.7	1.8	10@150 c/c	10@150 c/c	1.7	1.8