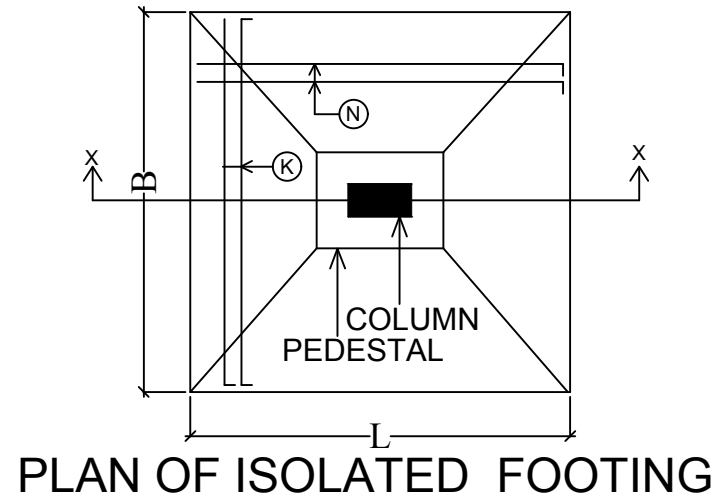
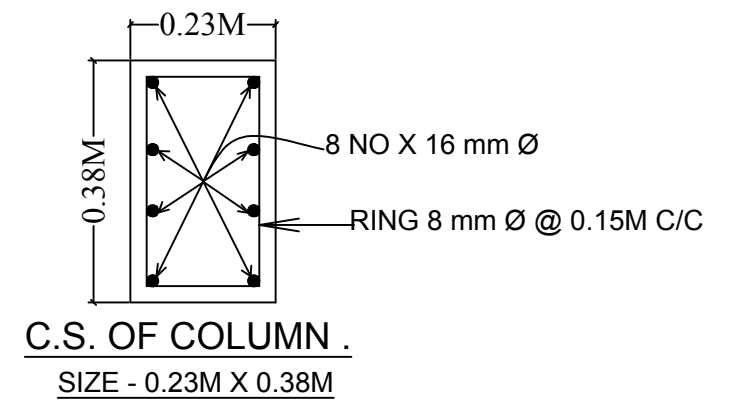


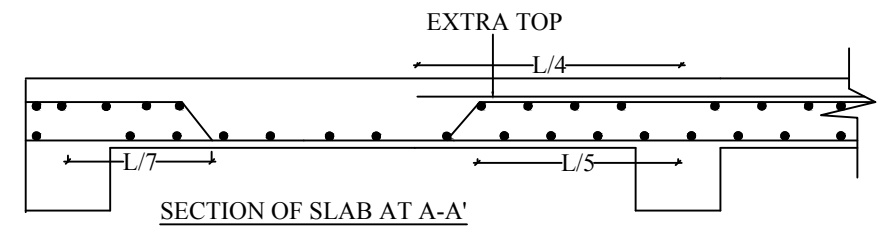
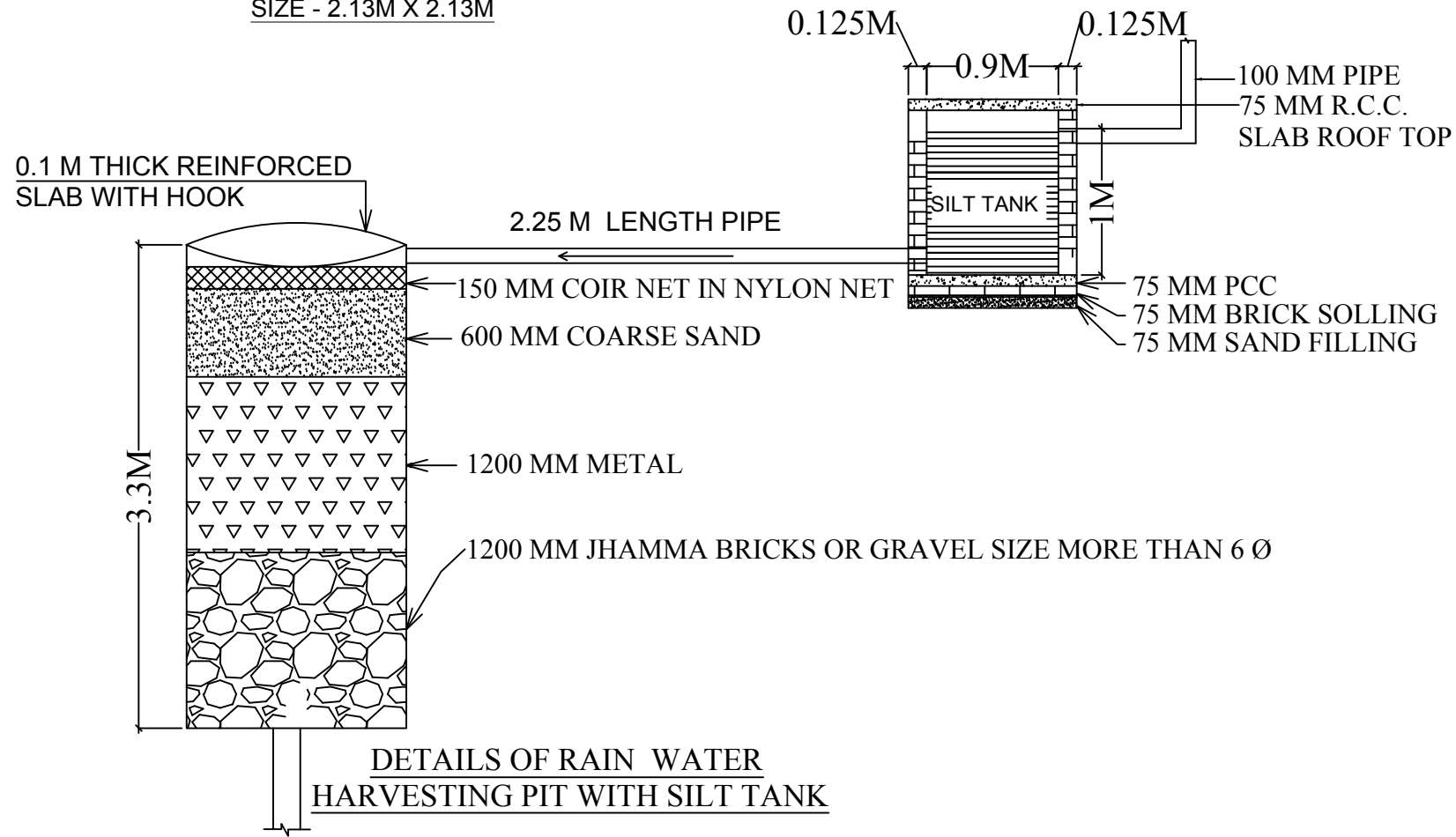
SECTION OF FOOTING .
SIZE - 2.13M X 2.13M



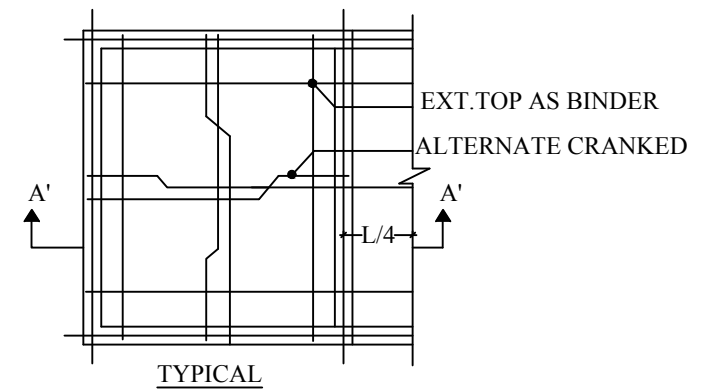
PLAN OF ISOLATED FOOTING



C.S. OF COLUMN .
SIZE - 0.23M X 0.38M



SECTION OF SLAB AT A-A'



STRUCTURE DRAWING