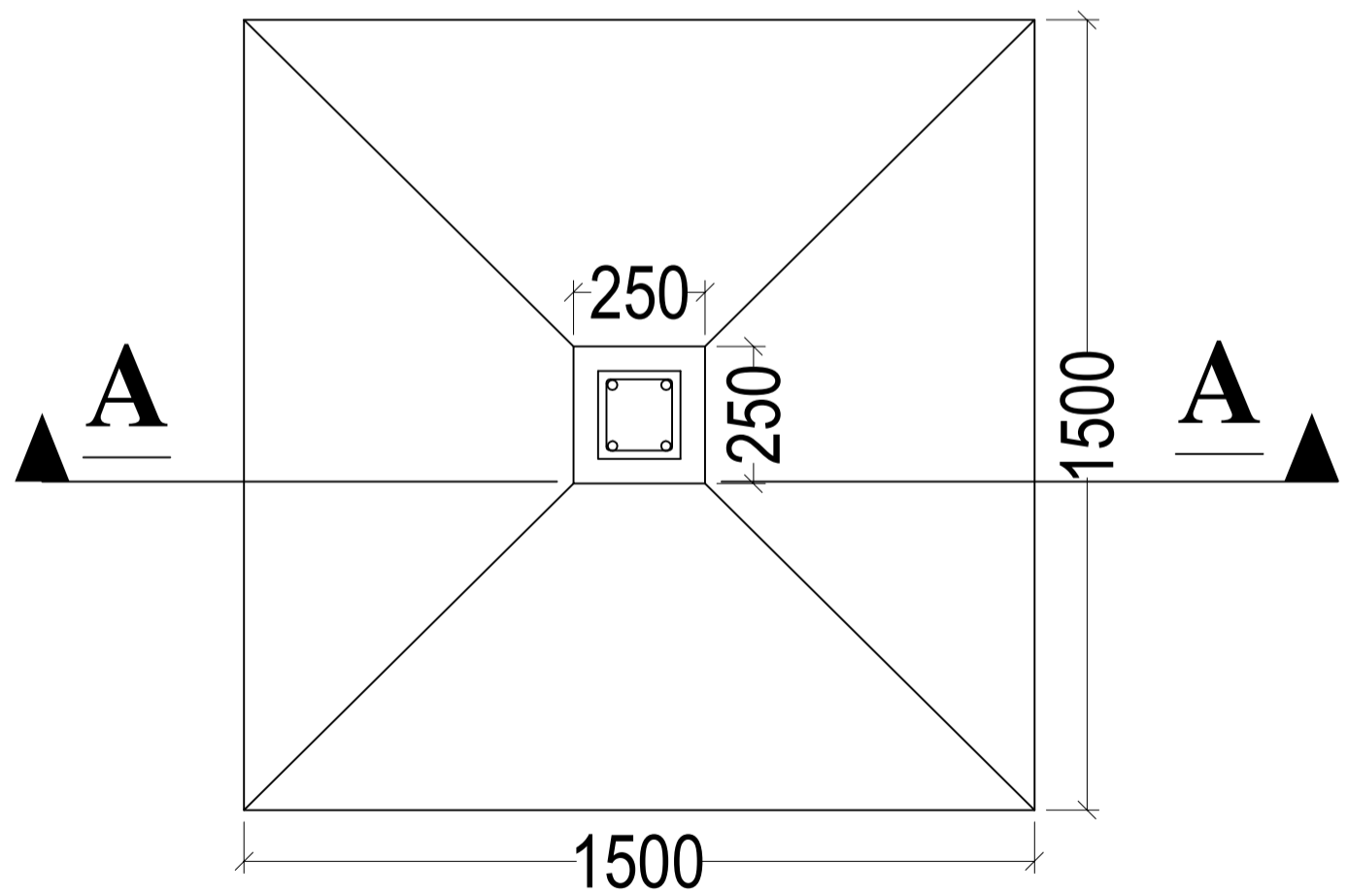


**SECTION A-A**



**DETAIL OF FOUNDATION**  
SCALE - N.T.S.