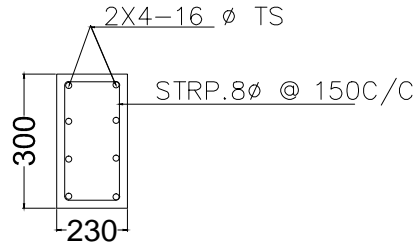
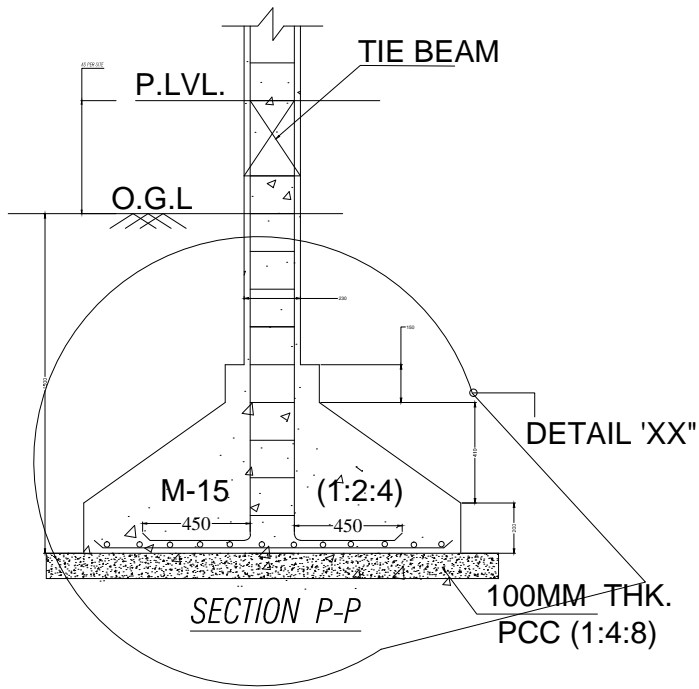


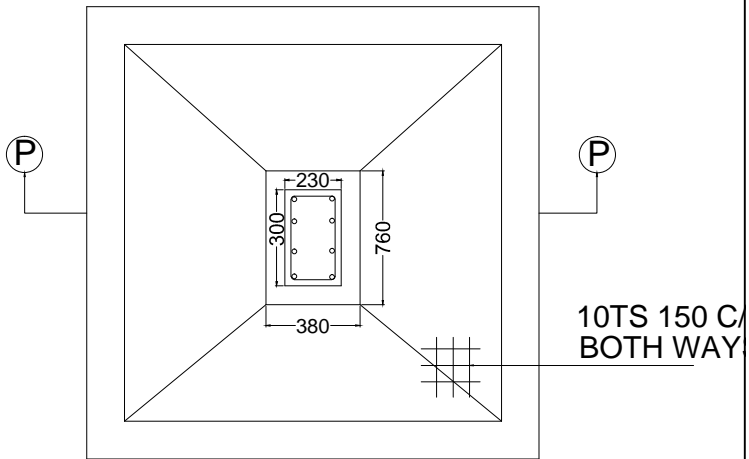
Covered
(A) Bas Base
(B) Gro
(C) 1st
(D) 2nd
TOTAL
% Gro
F.A.R.



C/S OF COL.



SECTION P-P



PLAN

FOOTING PLAN (AS/STRL. DESIGN)
SCALE N.T.S

PRODUCED BY AN AUTODESK EDUCATIONAL PRODUCT

PRODUCED BY AN AUTODESK EDUCATIONAL PRODUCT