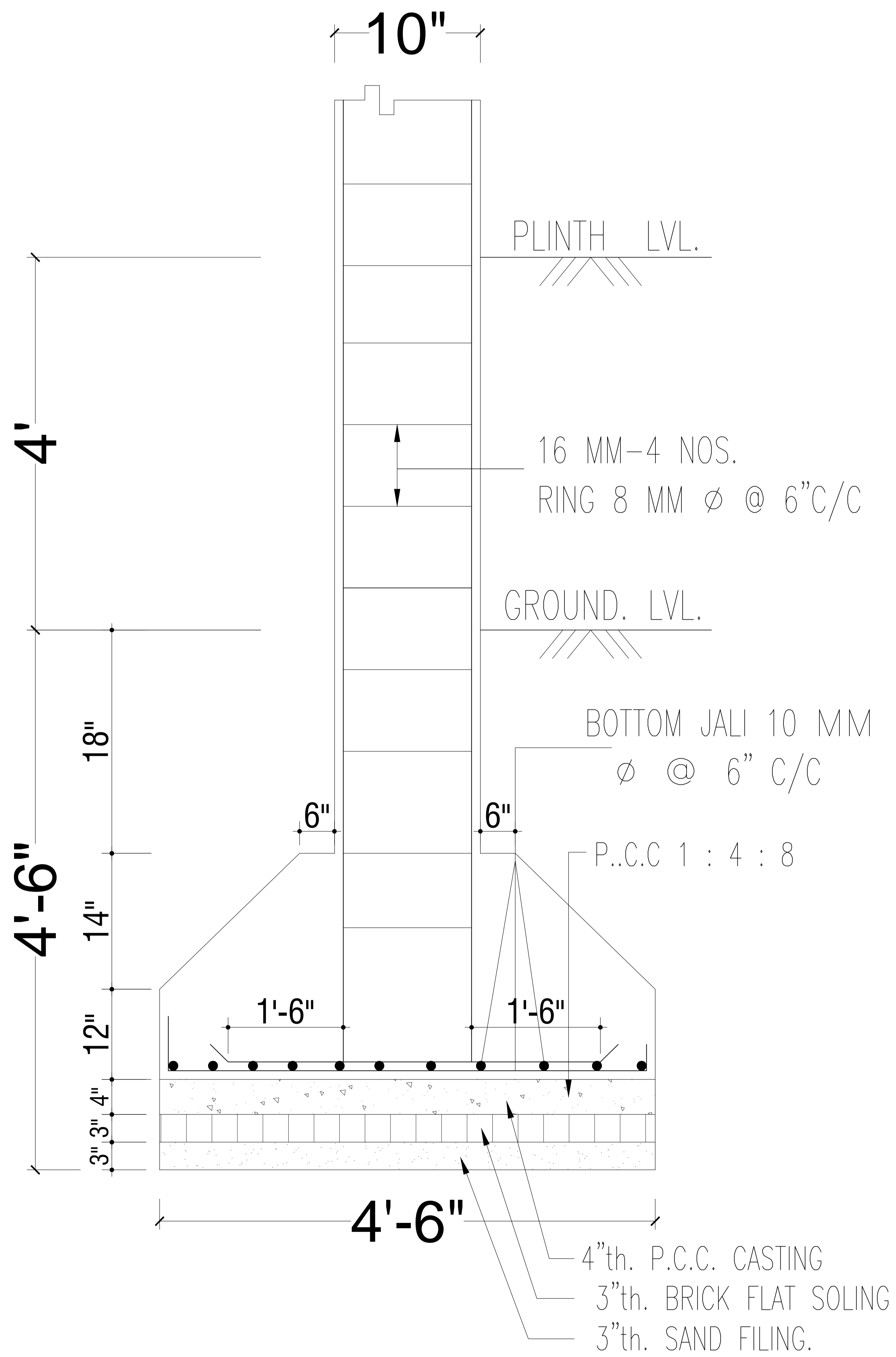


PLAN OF COLUMN FOUNDATION

SCALE= 1:50



SECTION ON A-A

SCALE= 1:50