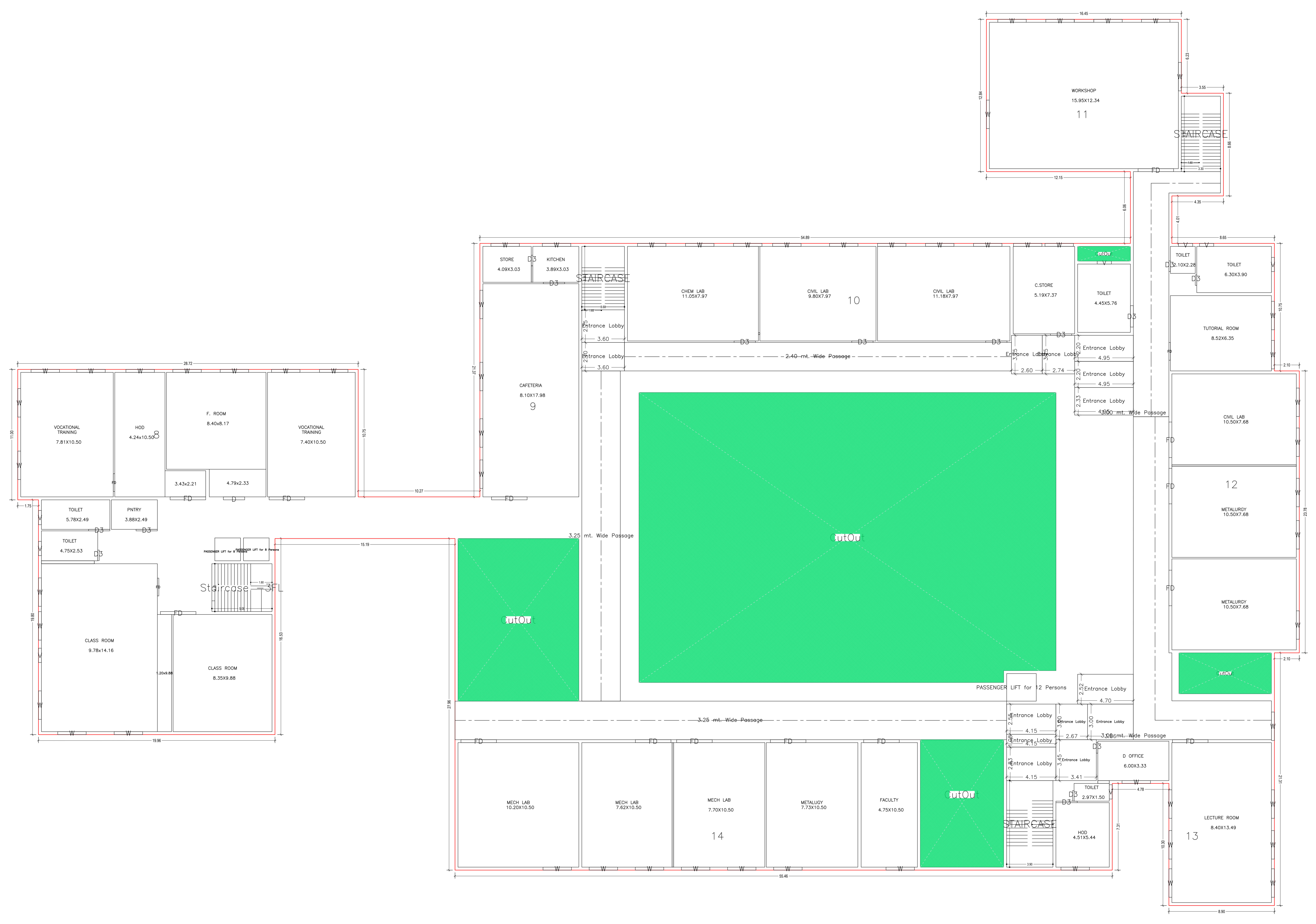
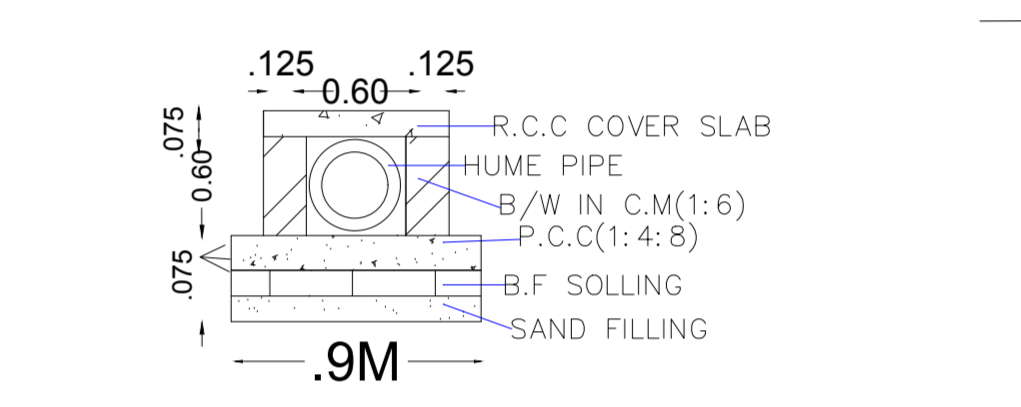
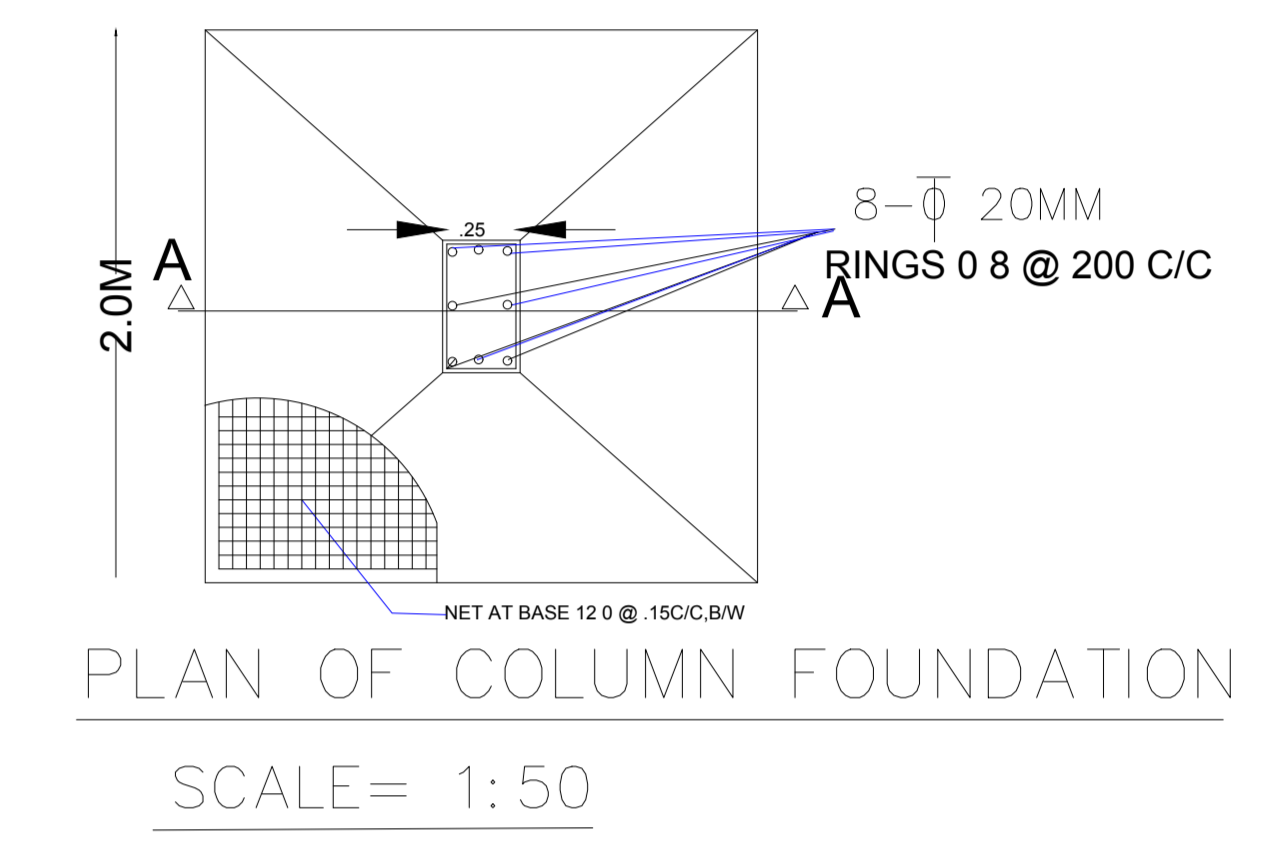
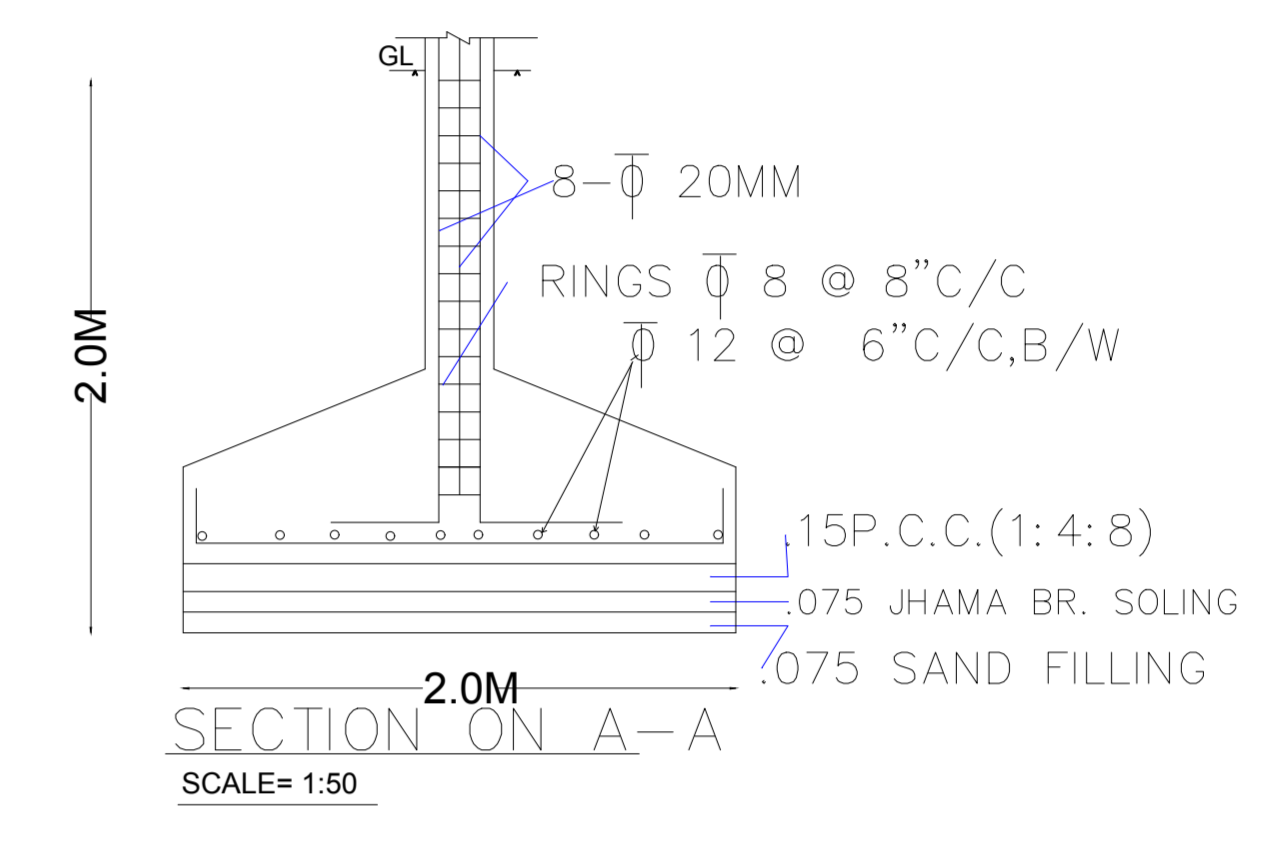


Proposal File No.	JWC/CP/100/01/1000
Owner Name	professional college
Plot No.	53
Plot No.	20223541
Village Name	SANCHI
Use	Educational
Sub Use	Educational Institution



FIRST FLOOR PLAN
(Proposed)
(SCALE: 1:100)

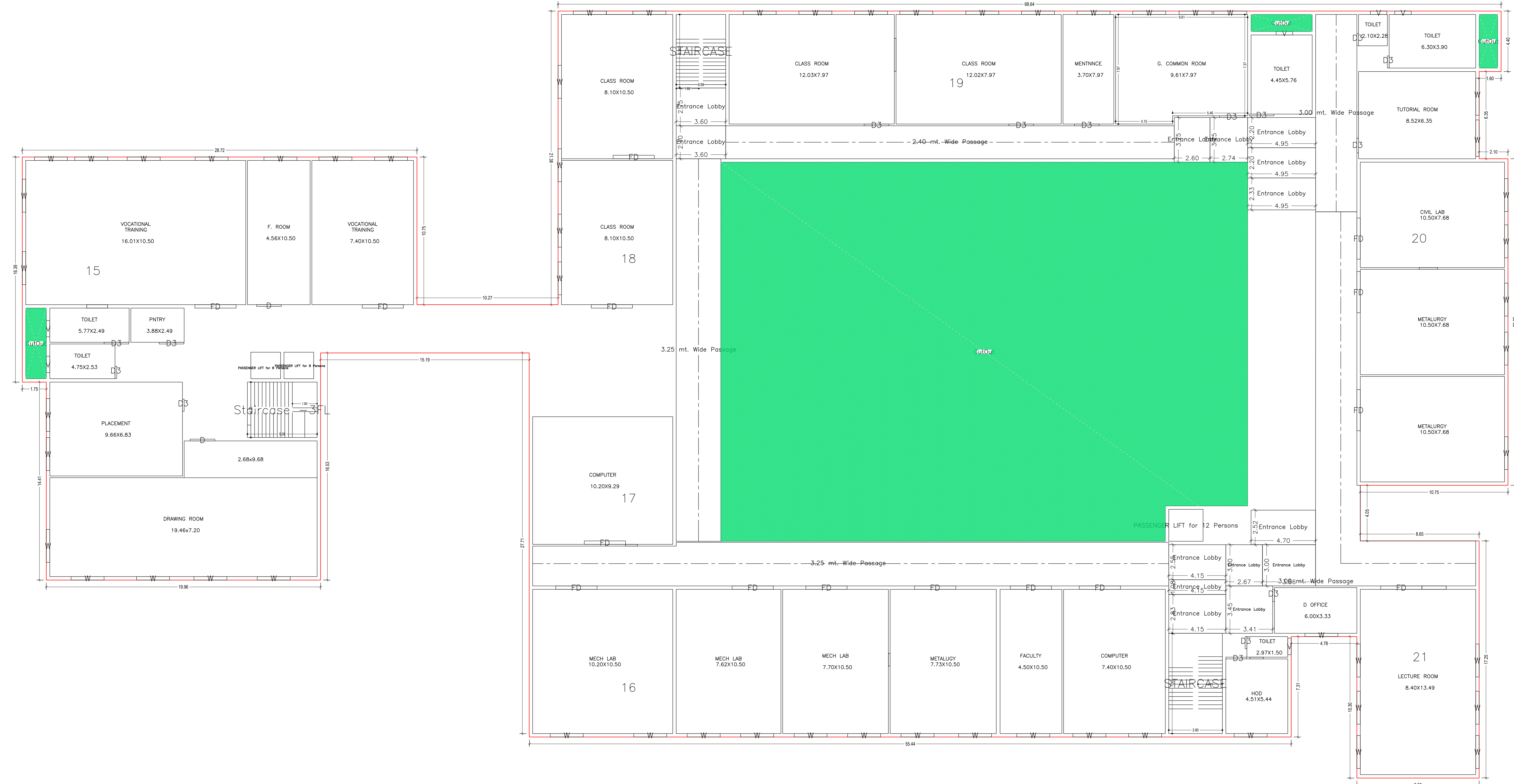


SECTION OF EXISTING DRAIN
SLOPE OF DRAIN=1:200
SCALE= 1:50

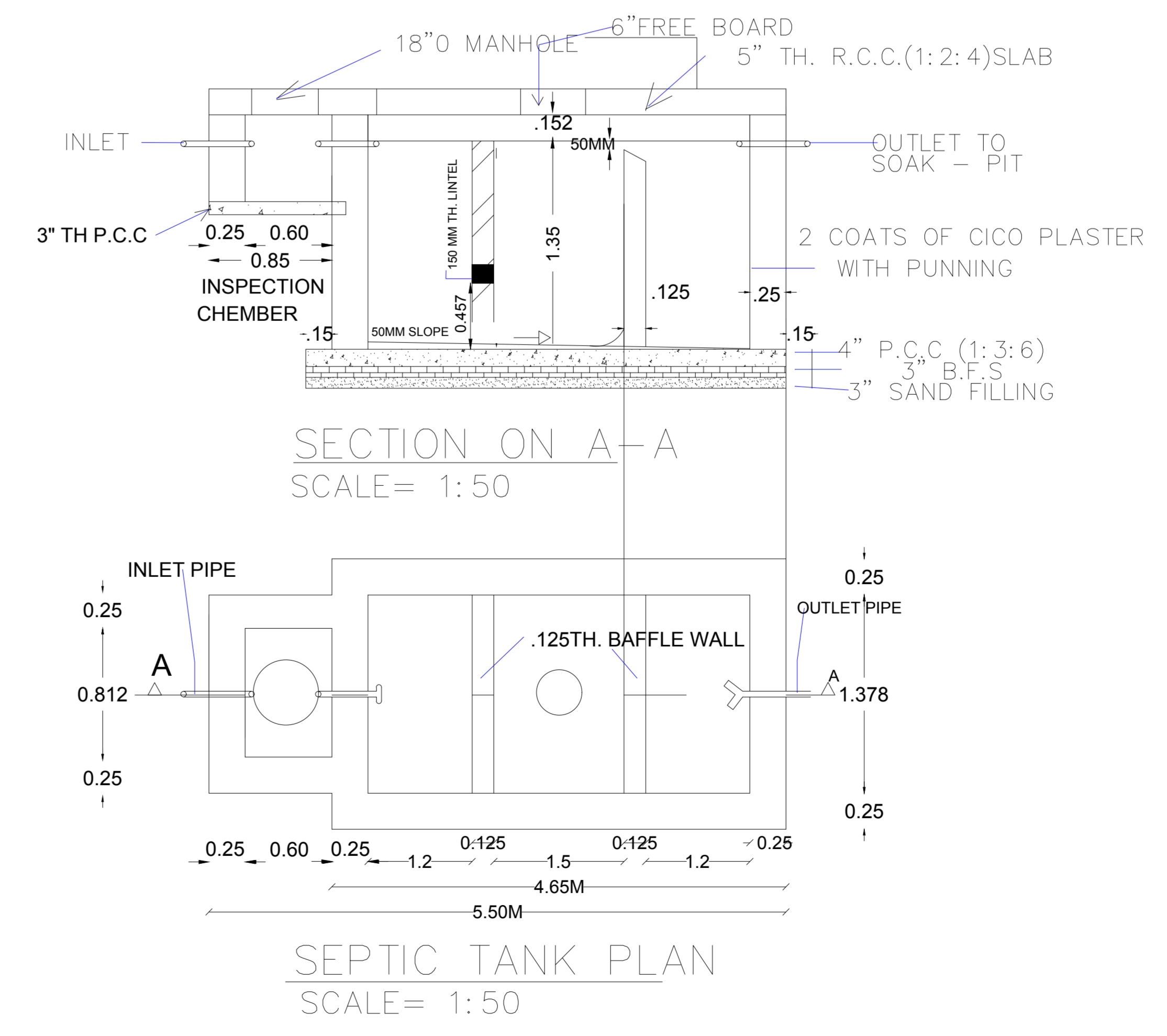
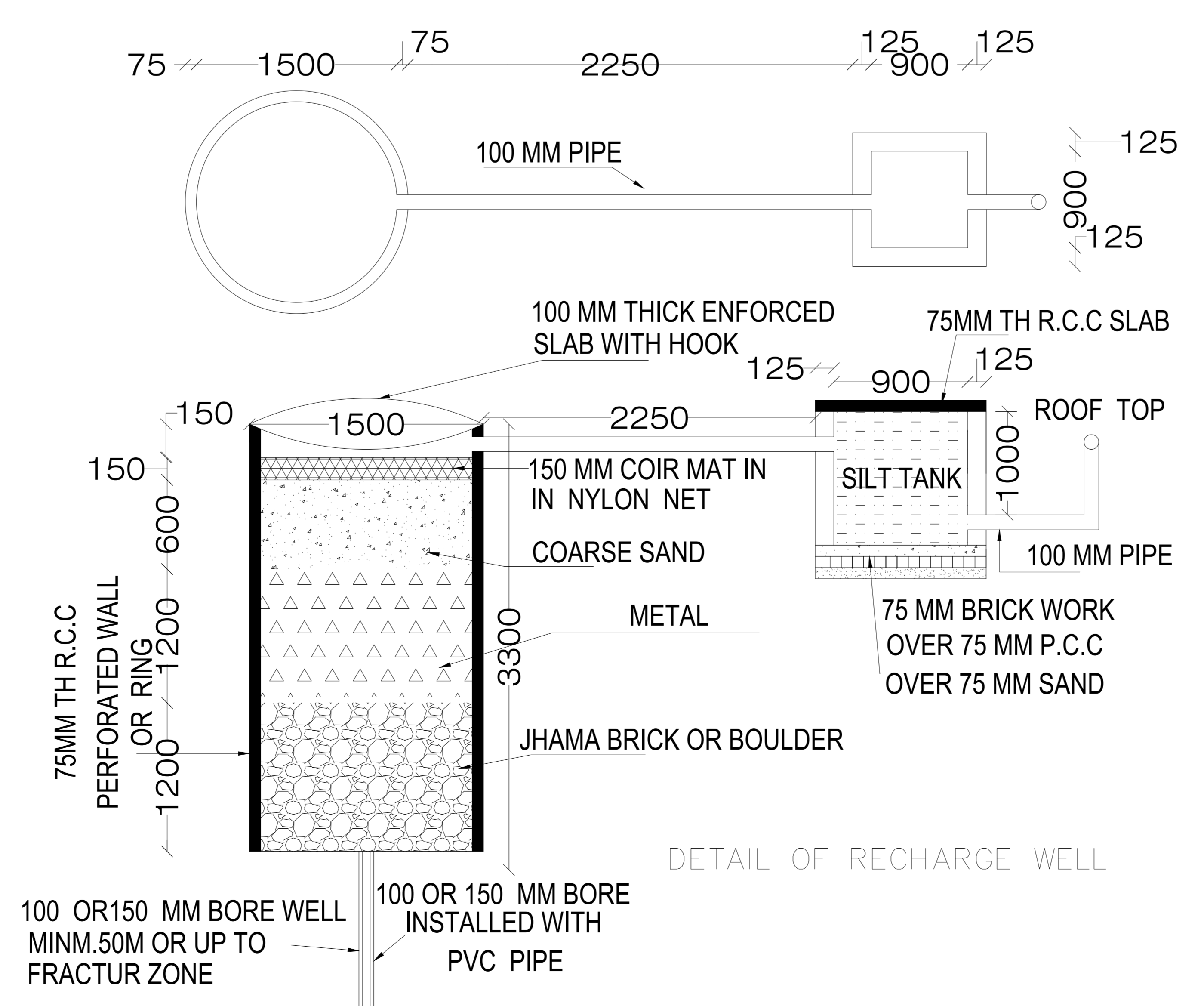
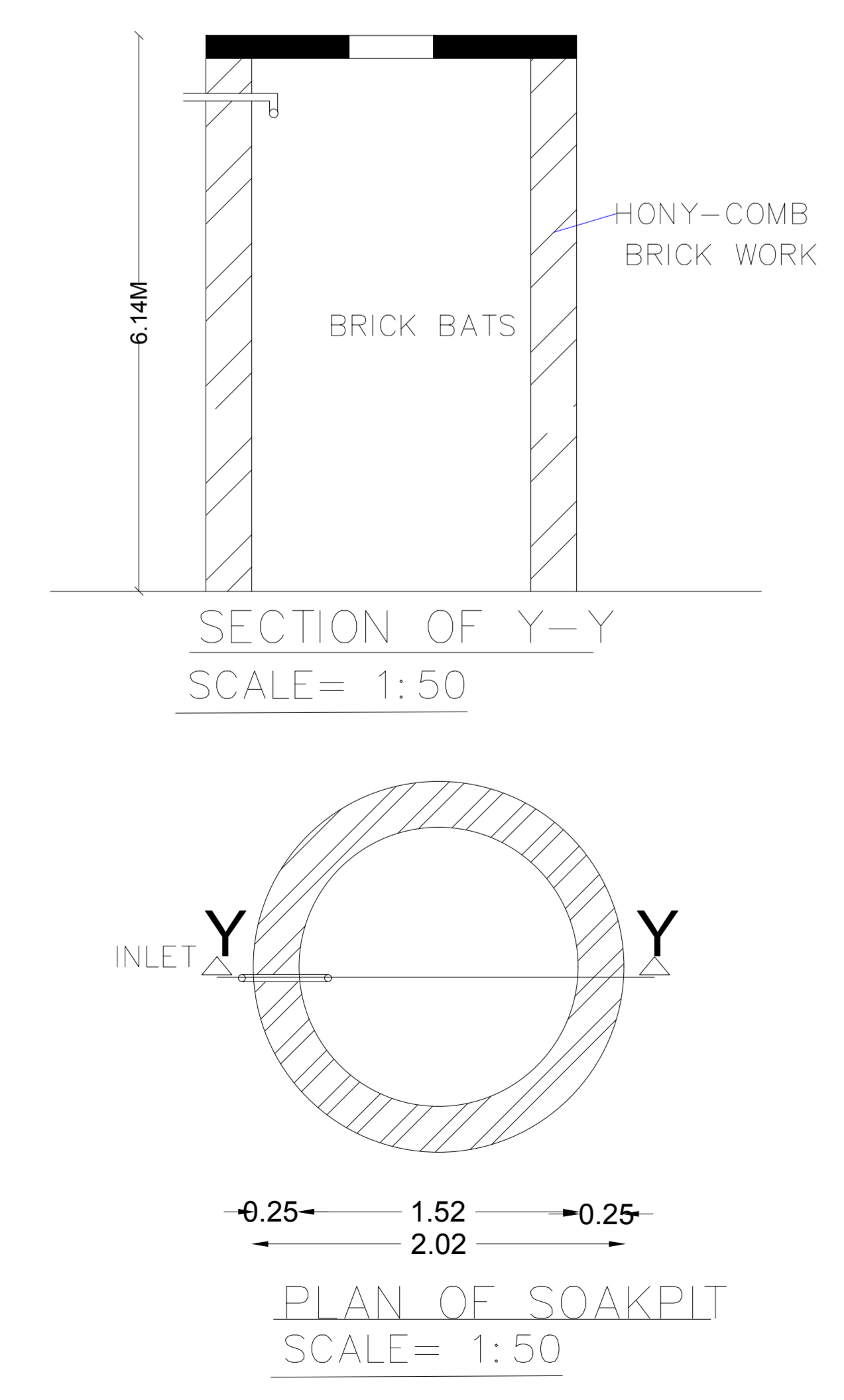
SPECIFICATION OF DRAIN

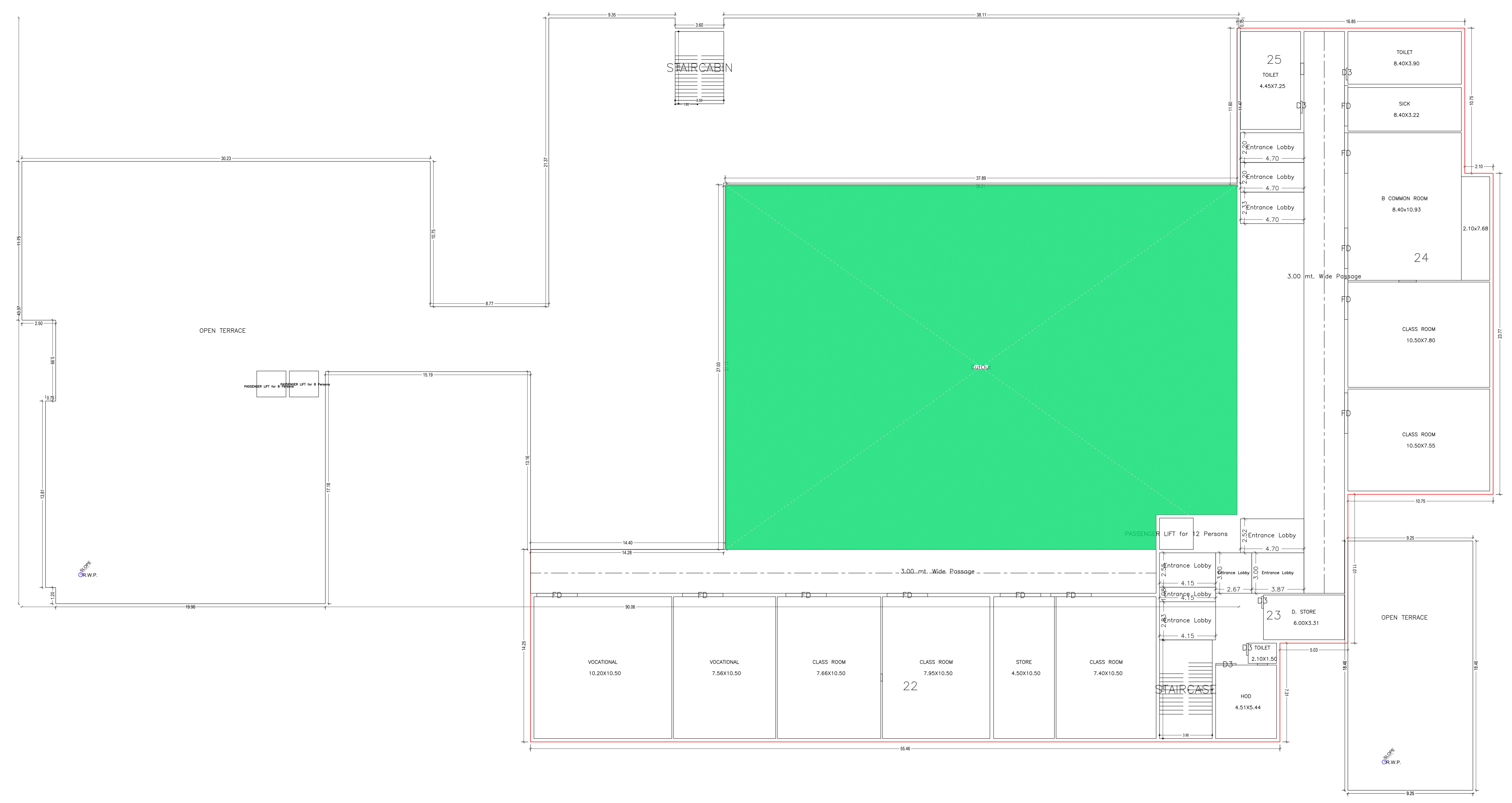
1. FOUNDATION.
2. SAND FILLING.
3. BRICK SOLING.
4. P.C.C (1:4:8).
5. B/W IN C.M (1:6).
6. R.C.C (1:2:4) COVER SLAB.

DATE AND SIGNATURE	STRUCTURAL ENGINEER NAME AND SIGNATURE	BUILDER NAME AND SIGNATURE	DIGITAL SIGNATURE
POORNAM NARELA JWC/CP/100/01/1000			

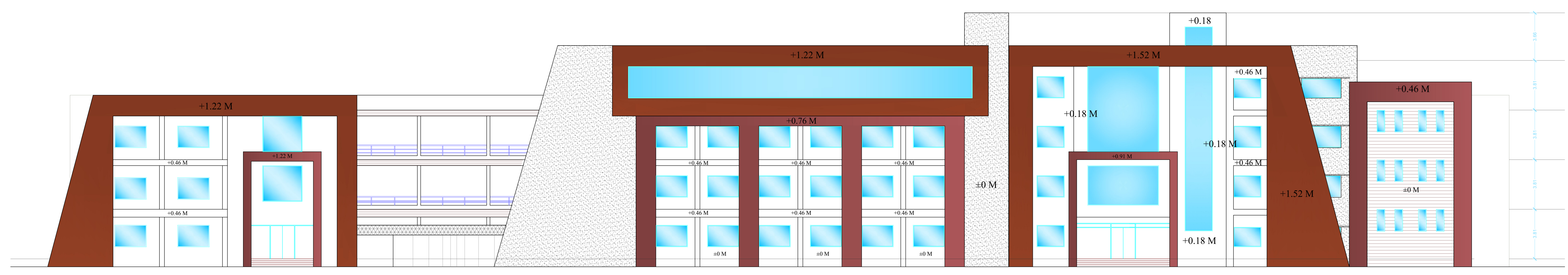


SECOND FLOOR PLAN (Proposed) (SCALE 1:100)





THIRD FLOOR PLAN
(Proposed)
(SCALE: 1:100)



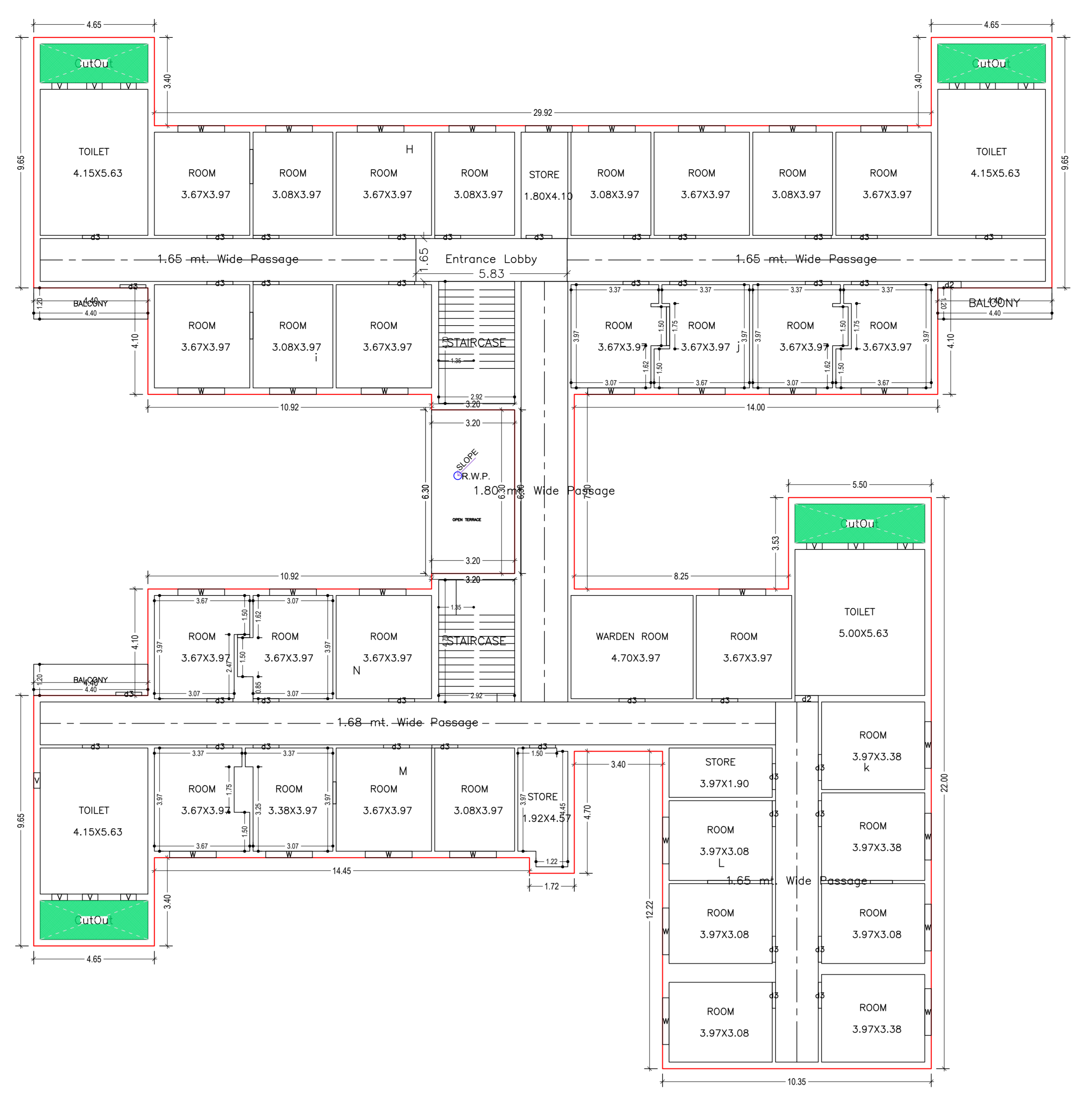
ADMINISTRATIVE CUM TEACHING BLOCK
FRONT ELEVATION

DATE	DESIGNER NAME AND SIGNATURE	STRUCTURAL ENGINEER NAME AND SIGNATURE	BUILDER NAME AND SIGNATURE	DIGITAL SIGNATURE
	POORNIMA NIELA JWC/CP/100/01/1000			

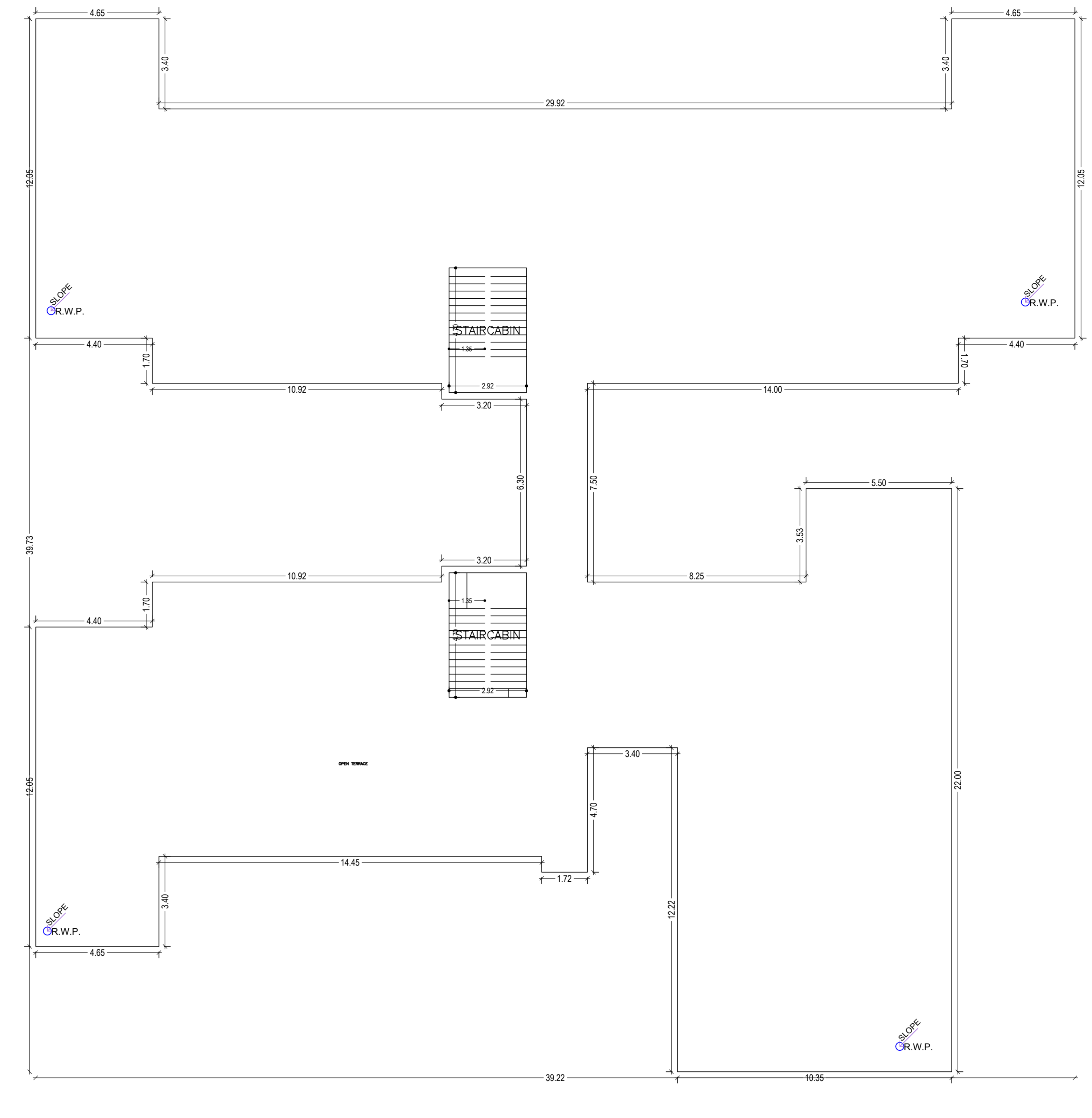
Proposed Basic Information	
Proposed File No.	JWC/SP/0001/000
Owner Name	Professional College
Plot No.	53
Plot No.	20223941
Village Name	SAMCHI
Use	Educational
Sub-use	Educational Institution



GROUND FLOOR PLAN (Proposed) (SCALE 1:100)



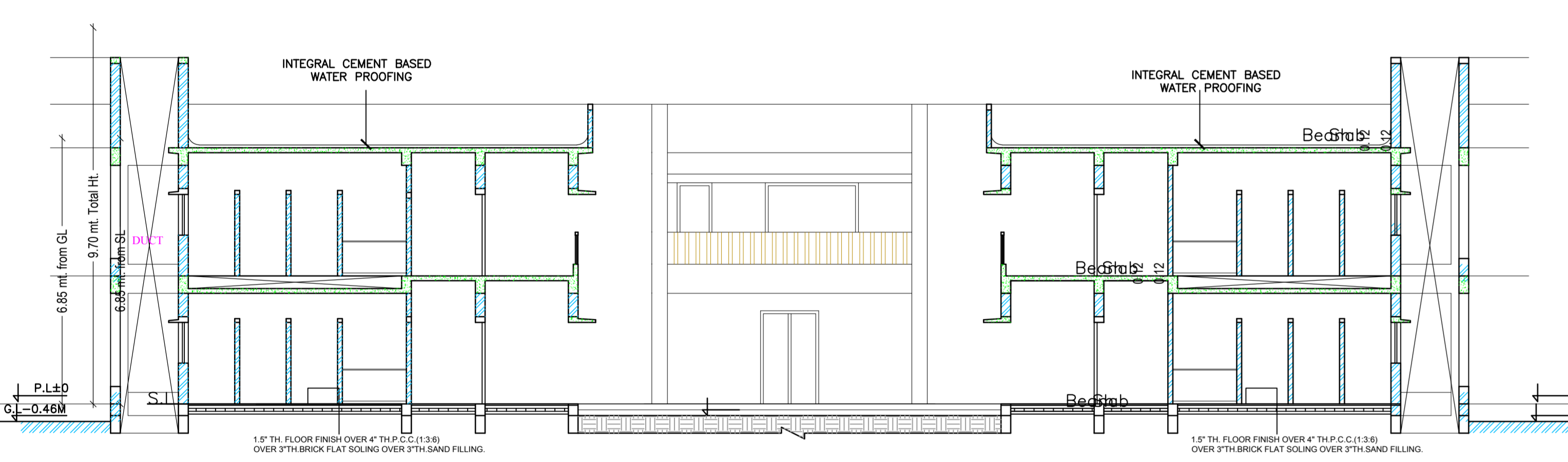
FIRST FLOOR PLAN (Proposed) (SCALE 1:100)



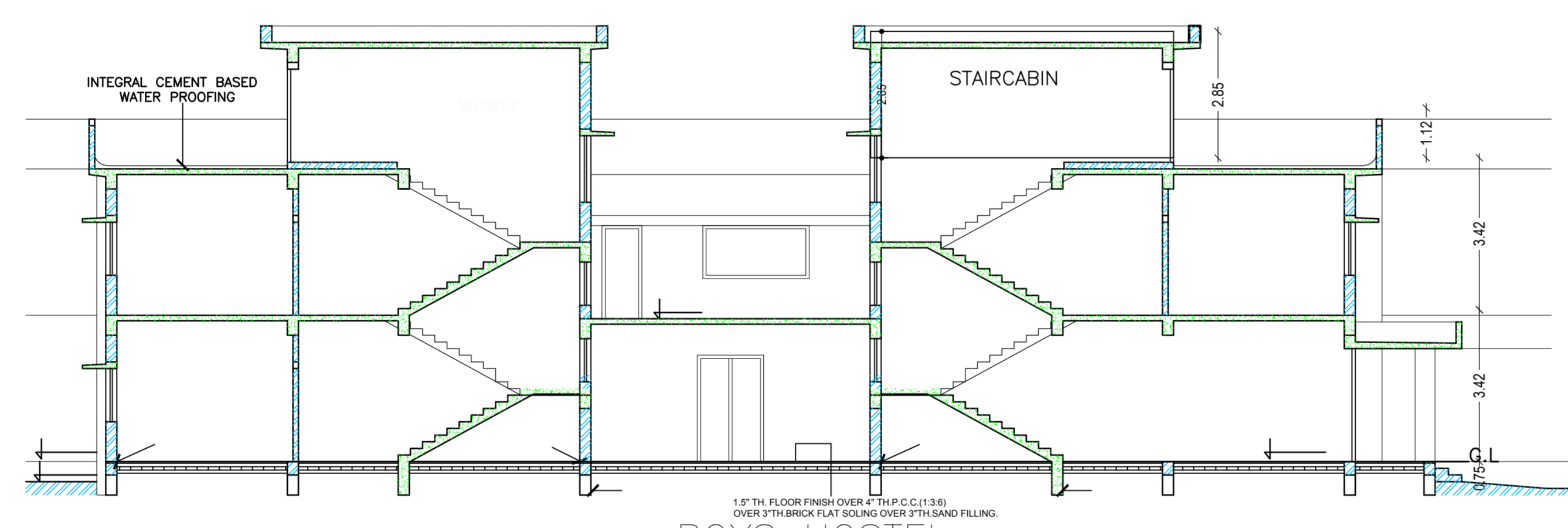
TERRACE FLOOR PLAN (SCALE 1:100)

Building :B (BUILDING)

Room No.	Room Name	Area	Volume
101	TOILET	23.37	101.97
102	ROOM	134.10	581.95
103	ROOM	134.10	581.95
104	ROOM	134.10	581.95
105	ROOM	134.10	581.95
106	ROOM	134.10	581.95
107	ROOM	134.10	581.95
108	ROOM	134.10	581.95
109	ROOM	134.10	581.95
110	ROOM	134.10	581.95
111	ROOM	134.10	581.95
112	ROOM	134.10	581.95
113	ROOM	134.10	581.95
114	ROOM	134.10	581.95
115	ROOM	134.10	581.95
116	ROOM	134.10	581.95
117	ROOM	134.10	581.95
118	ROOM	134.10	581.95
119	ROOM	134.10	581.95
120	ROOM	134.10	581.95
121	ROOM	134.10	581.95
122	ROOM	134.10	581.95
123	ROOM	134.10	581.95
124	ROOM	134.10	581.95
125	ROOM	134.10	581.95
126	ROOM	134.10	581.95
127	ROOM	134.10	581.95
128	ROOM	134.10	581.95
129	ROOM	134.10	581.95
130	ROOM	134.10	581.95
131	ROOM	134.10	581.95
132	ROOM	134.10	581.95
133	ROOM	134.10	581.95
134	ROOM	134.10	581.95
135	ROOM	134.10	581.95
136	ROOM	134.10	581.95
137	ROOM	134.10	581.95
138	ROOM	134.10	581.95
139	ROOM	134.10	581.95
140	ROOM	134.10	581.95
141	ROOM	134.10	581.95
142	ROOM	134.10	581.95
143	ROOM	134.10	581.95
144	ROOM	134.10	581.95
145	ROOM	134.10	581.95
146	ROOM	134.10	581.95
147	ROOM	134.10	581.95
148	ROOM	134.10	581.95
149	ROOM	134.10	581.95
150	ROOM	134.10	581.95
151	ROOM	134.10	581.95
152	ROOM	134.10	581.95
153	ROOM	134.10	581.95
154	ROOM	134.10	581.95
155	ROOM	134.10	581.95
156	ROOM	134.10	581.95
157	ROOM	134.10	581.95
158	ROOM	134.10	581.95
159	ROOM	134.10	581.95
160	ROOM	134.10	581.95
161	ROOM	134.10	581.95
162	ROOM	134.10	581.95
163	ROOM	134.10	581.95
164	ROOM	134.10	581.95
165	ROOM	134.10	581.95
166	ROOM	134.10	581.95
167	ROOM	134.10	581.95
168	ROOM	134.10	581.95
169	ROOM	134.10	581.95
170	ROOM	134.10	581.95
171	ROOM	134.10	581.95
172	ROOM	134.10	581.95
173	ROOM	134.10	581.95
174	ROOM	134.10	581.95
175	ROOM	134.10	581.95
176	ROOM	134.10	581.95
177	ROOM	134.10	581.95
178	ROOM	134.10	581.95
179	ROOM	134.10	581.95
180	ROOM	134.10	581.95
181	ROOM	134.10	581.95
182	ROOM	134.10	581.95
183	ROOM	134.10	581.95
184	ROOM	134.10	581.95
185	ROOM	134.10	581.95
186	ROOM	134.10	581.95
187	ROOM	134.10	581.95
188	ROOM	134.10	581.95
189	ROOM	134.10	581.95
190	ROOM	134.10	581.95
191	ROOM	134.10	581.95
192	ROOM	134.10	581.95
193	ROOM	134.10	581.95
194	ROOM	134.10	581.95
195	ROOM	134.10	581.95
196	ROOM	134.10	581.95
197	ROOM	134.10	581.95
198	ROOM	134.10	581.95
199	ROOM	134.10	581.95
200	ROOM	134.10	581.95



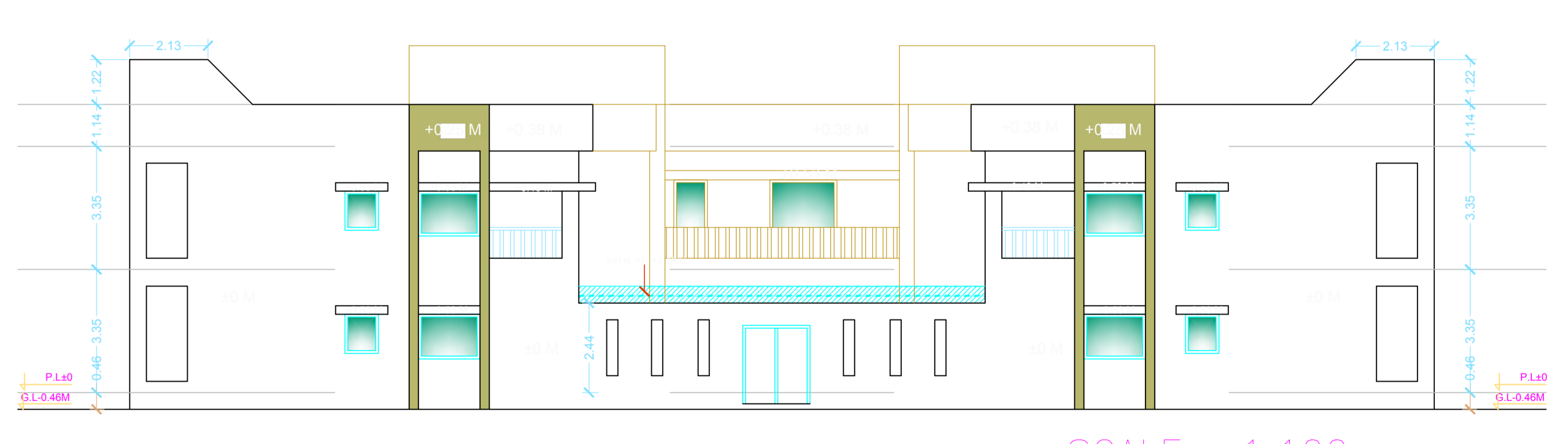
BOYS HOSTEL SECTION B-B SCALE = 1:100



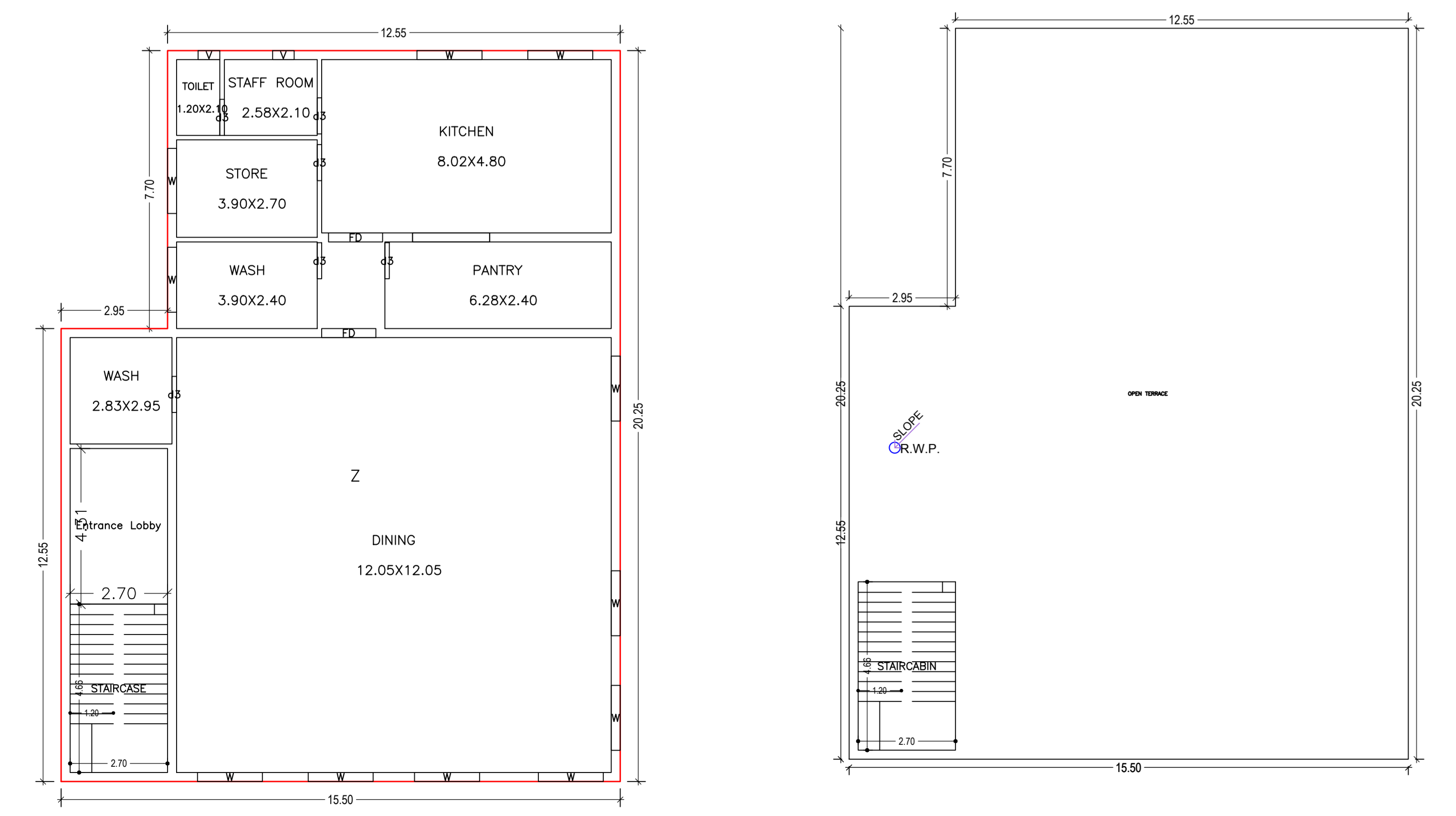
BOYS HOSTEL SECTION A-A SCALE = 1:100



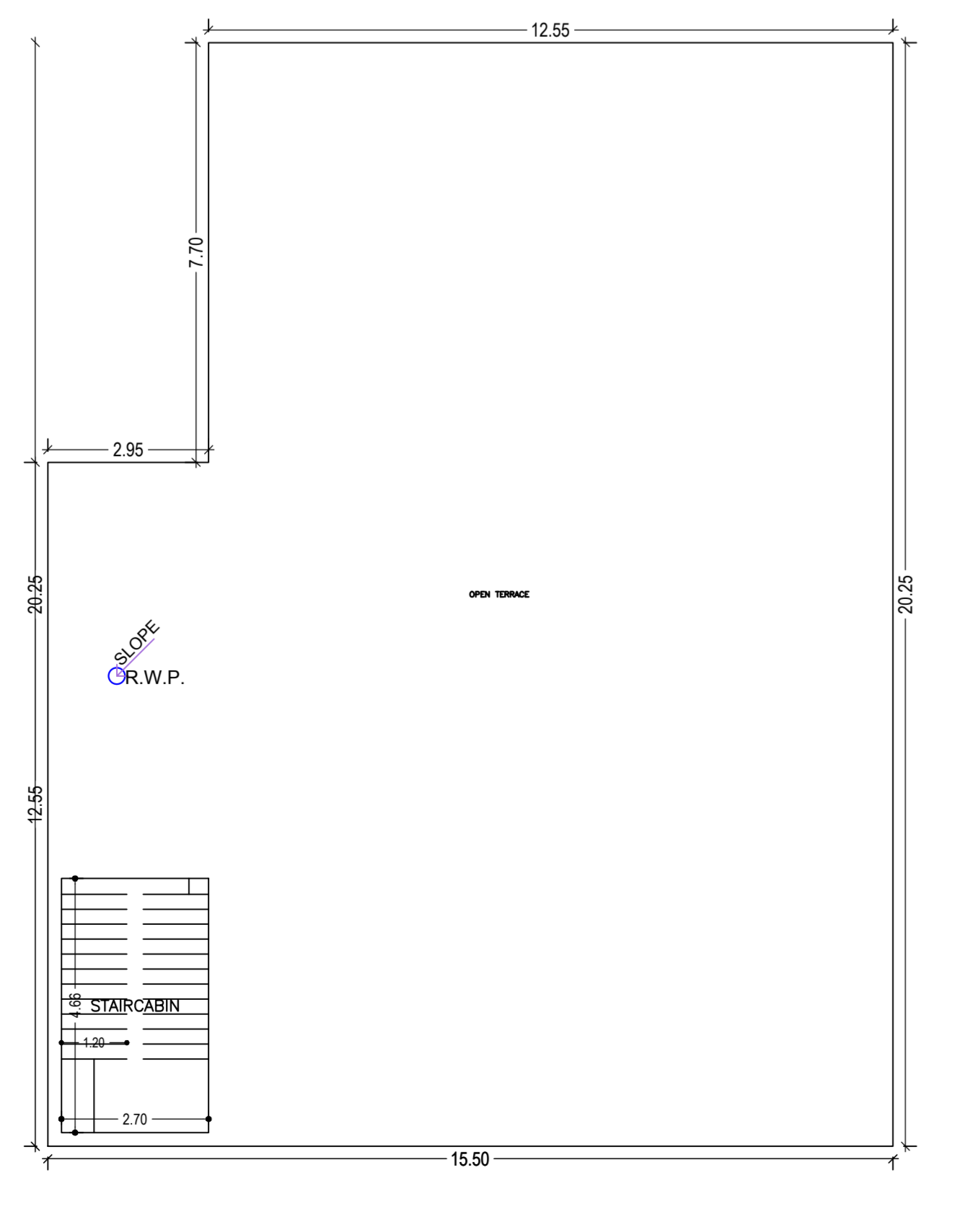
BOYS HOSTEL FRONT ELEVATION SCALE = 1:100



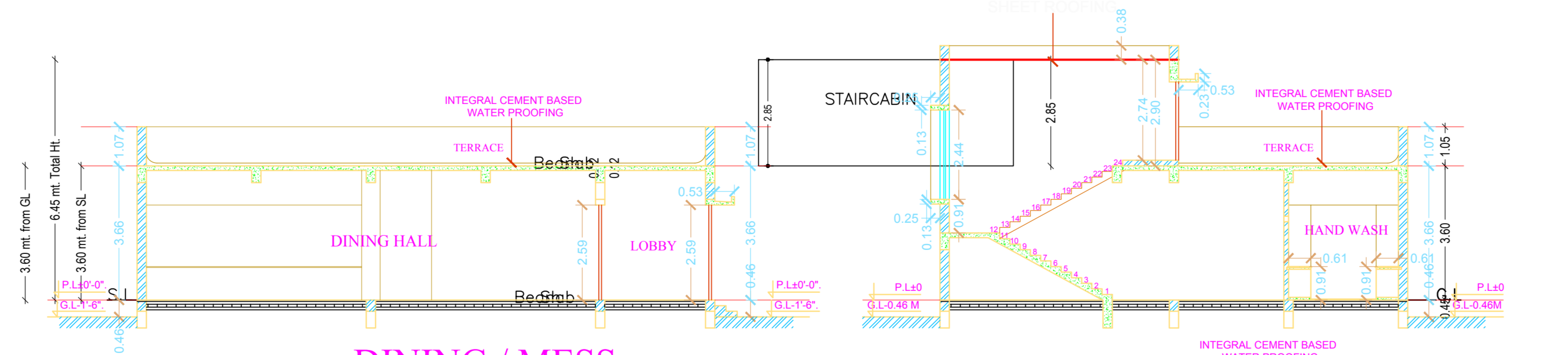
BOYS HOSTEL LEFT SIDE ELEVATION SCALE = 1:100



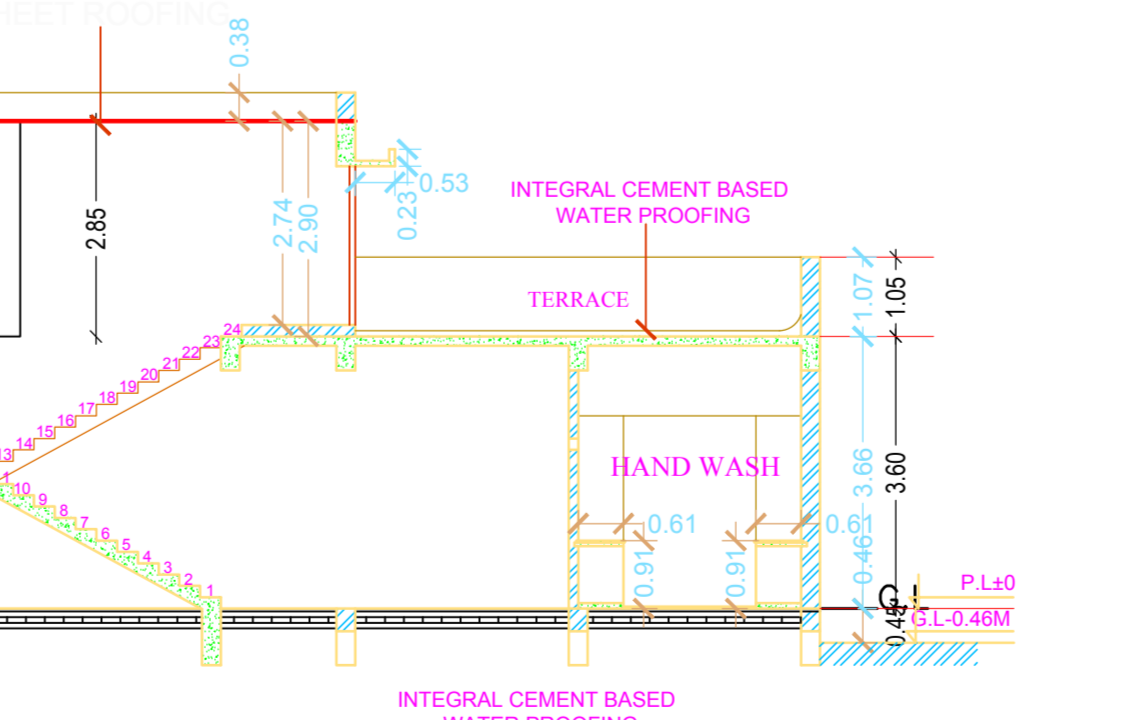
GROUND FLOOR PLAN (Proposed) (SCALE 1:100)



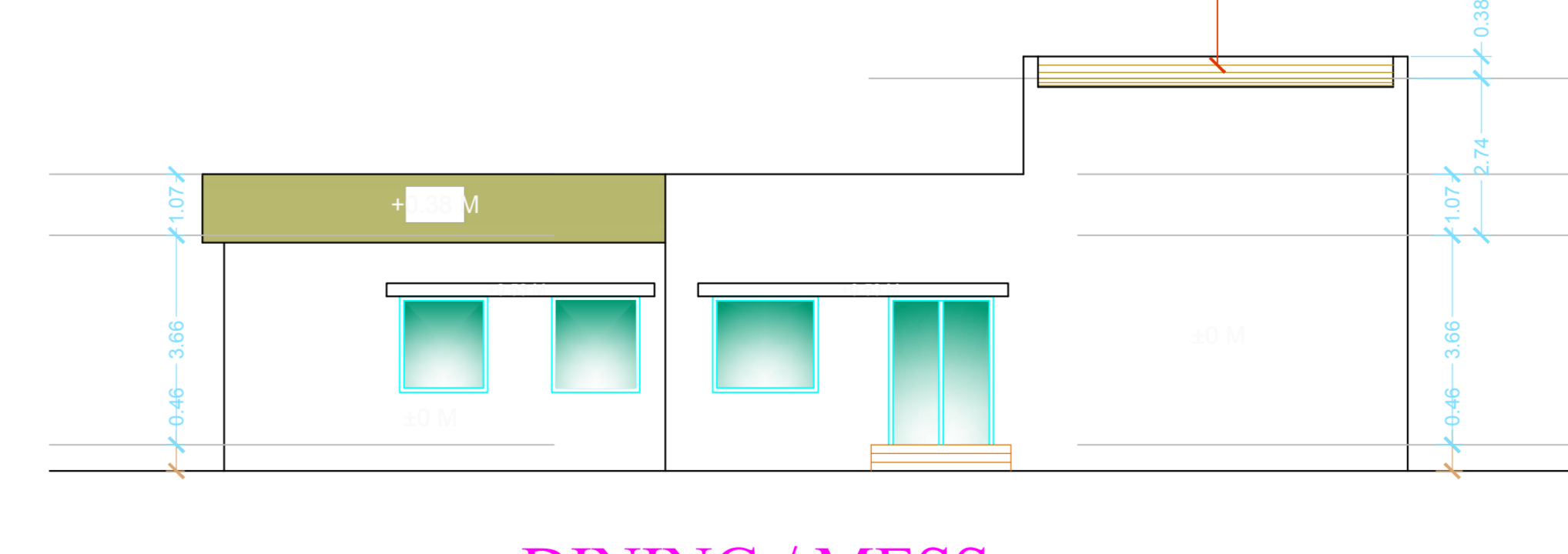
TERRACE FLOOR PLAN (SCALE 1:100)



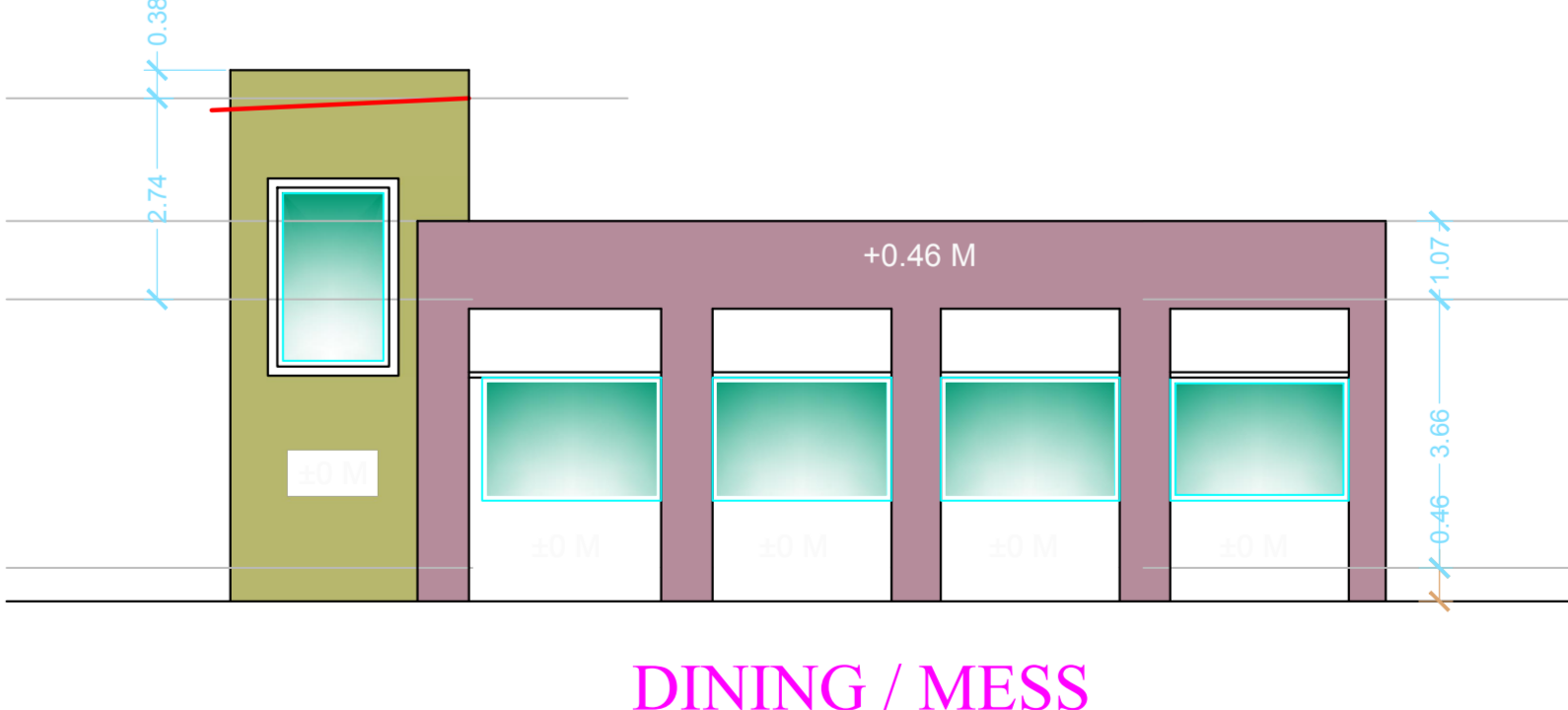
DINING / MESS SECTION A-A SCALE = 1:100



DINING / MESS SECTION B-B SCALE = 1:100



DINING / MESS LEFT SIDE ELEVATION SCALE = 1:100



DINING / MESS FRONT ELEVATION SCALE = 1:100

Building :C (BUILDING)

Floor Name	Total Built up Area (Sq.m)	Construction Volume (Cu.m)	Proposed Floor Area (Sq.m)	Total Floor Area (Sq.m)	Total Consumed Building Cost (Rs.)	Total Cost (Rs.)
Ground Floor	291.16	1144	276.52	276.52	276.52	276.52
1st Floor	130	520	130	130	130	130
2nd Floor	291.16	1144	276.52	276.52	276.52	276.52
Total	712.32	2804	683.04	683.04	683.04	683.04

SCHEDULE OF WINDOW/VENTILATION:

BUILDING NAME	NAME	LENGTH	HEIGHT	NO. OF WINDOWS
BUILDING	C	130	3.00	30
BUILDING	D	130	3.00	30
BUILDING	E	130	3.00	30

SCHEDULE OF DOOR:

BUILDING NAME	NAME	LENGTH	HEIGHT	NO. OF DOORS
BUILDING	C	130	2.10	11
BUILDING	D	130	2.10	11
BUILDING	E	130	2.10	11

URBIA Table for Building :C (BUILDING)

FLOOR	Name	URBIA Type	URBIA Area	Count Area	No. of Rooms	No. of Features
GROUND FLOOR	2	OTHER	247.36	247.36	8	1
Total	-	-	247.36	247.36	8	1

DATE AND SIGNATURE	STRUCTURAL ENGINEER NAME AND SIGNATURE	BUILDER NAME AND SIGNATURE	DIGITAL SIGNATURE