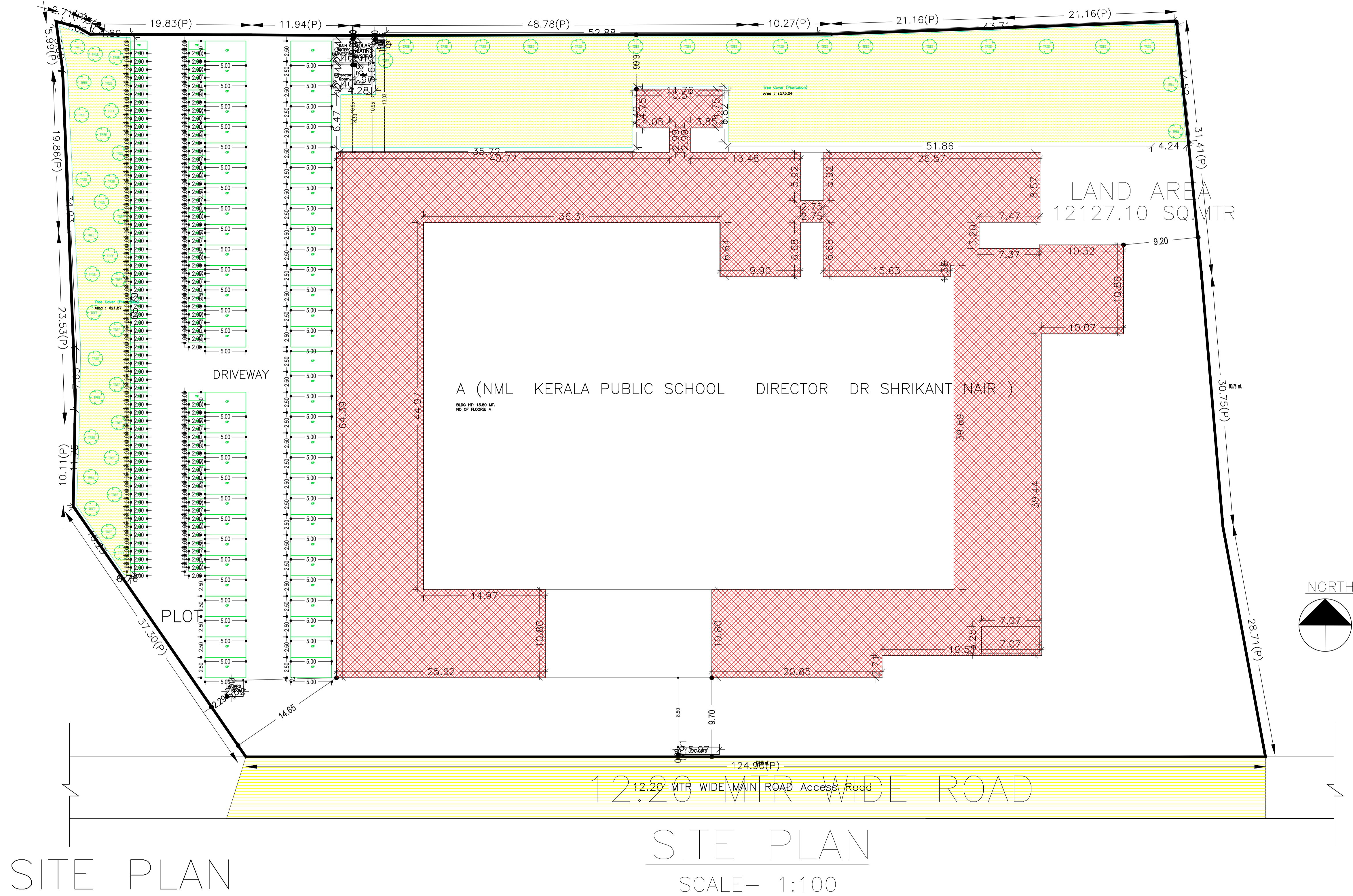


		DATE	22/07/2020
		SHEET NO.	1
Proposal Basic Information			
Proposal File No.	JNAC/BPI/0055/W11/2020		
Owner Name	NML, KERALA PUBLIC SCHOOL , DIRECTOR (DR. SHR NAIR)		
Khata No	52		
Plot No	166 (p) & 361 (p)		
Village Name	BARA		
Use	Educational		
SubUse	Educational Building		



LTP NAME AND SIGNATURE	STRUCTURAL ENG'S NAME AND SIGNATURE	BUILDER NAME AND SIGNATURE	DIGITAL SIGNATURE
NALIN GOEL JNAC/ARC/0018/2018			

DATE		2020
SHEET NO.		2
Proposal Basic Information		
Proposal File No.	JNAC/BP/0055/W11/2020	
Owner Name	NML, KERALA PUBLIC SCHOOL , DIRECTOR (DR. SHRIKANT NAIR)	
Khata No	52	
Plot No	166 (p) & 361 (p)	
Village Name	BARA	
Use	Educational	
SubUse	Educational Building	

AREA STATEMENT JAMSHEDPUR NAC	VERSION NO.: 1.0.62 VERSION DATE: 16/10/2020
PROJECT DETAIL:	
Region: JHARKHAND URBAN LOCAL BODIES	
Authority: JAMSHEDPUR NAC	Plot SubUse: Educational Building
Inward No: JNAC/BP/0055/W11/2020	PlotNearbyReligiousStructure: NA
Application Type: General Proposal	PlotSubPlot No: 166 (p) & 361 (p)
Project Type: Building Permission	North: -
Nature of Development: New	South: Road Width - 12.20 MTR WIDE ROAD
Location of Development Area: Old Area	East: -
Area Details:	West: -
AREA OF PLOT (Minimum)	SQ.MT. 12126.73
NET AREA OF PLOT(Gross Plot Area - Deduction from Gross Plot area)	(A-Deductions) 12126.73
Deduction for Balance Plot Area(from Gross Plot Area)	
Common Plot	1694.91
Total	1694.91
BALANCE AREA OF PLOT(Net Plot Area - Recreational/Amenity space)	(A-Deductions) 10431.82
PLOT AREA FOR COVERAGE(Net Plot Area)	(A-Deductions) 12126.73
Plot Area for FAR (Net Plot Area + RoadWidening Area)	(A-Deductions) 12126.73
COVERAGE CHECK	
Permissible Coverage area (50.00 %)	6063.37
Proposed Coverage Area (21.75 %)	2637.69
Total Prop. Coverage Area (21.75 %)	2637.69
Balance coverage area (28.25 %)	3425.68
FAR CHECK	
Perm. FAR Area (2.25)	27285.14
Total Perm. FAR area	27285.14
Special FAR	7527.02
Proposed FAR Area	7527.02
Total Proposed FAR Area	7527.02
Consumed FAR (Factor)	0.62
Balance FAR Area	19758.11
BUILT UP AREA CHECK	
Total Proposed BuiltUp Area	10843.96
ARCHITECT (Regd)	NALIN GOEL
ENGINEER (Regd)	
SUPERVISOR (Regd)	
OWNER (Regd)	NML, KERALA PUBLIC SCHOOL , DIRECTOR (DR. SHRIKANT NAIR)
DEVELOPMENT AUTHORITY	LOCAL BODY

COLOR INDEX	
PLOT BOUNDARY	Black
ABUTTING ROAD	Green
PROPOSED CONSTRUCTION	Red
COMMON PLOT	Yellow
ROAD WIDENING AREA	Blue
EXISTING (To be retained)	Orange
EXISTING (To be demolished)	White

Buildingwise Floor FAR Details

Floor Name	Building Name		Total	
	Proposed Built Up Area (Sq.mt.)	Proposed FAR Area (Sq.mt.)	Total Proposed Built Up Area (Sq.mt.)	Total FAR Area (Sq.mt.)
Ground Floor	2660.68	1820.41	2660.68	1820.41
First Floor	2660.68	1820.41	2660.68	1820.41
Second Floor	2761.30	1943.10	2761.30	1943.10
Third Floor	2761.30	1943.10	2761.30	1943.10
Terrace Floor	0.00	0.00	0.00	0.00
Total :	10843.96	7527.02	10843.96	7527.02

Building USE/SUBUSE Details

Building Name	Building Use	Building SubUse	Building Structure
A (NML KERALA PUBLIC SCHOOL DIRECTOR DR SHRIKANT NAIR)	Educational	Educational Building	Non-Highrise

Required Parking(Table 7a)

Building Name	Type	SubUse	Area (Sq.mt.)	Units		Car		TwoWheeler		
				Reqd.	Prop.	Reqd./Unit	Reqd.	Prop.	Reqd./Unit	Reqd.
A (NML KERALA PUBLIC SCHOOL DIRECTOR DR SHRIKANT NAIR)	Educational	Educational Building	> 0	70	-	1	-	-	-	
			> 0	70	-	-	-	1	-	
Total :			-	-	-	0	60	-	0	124

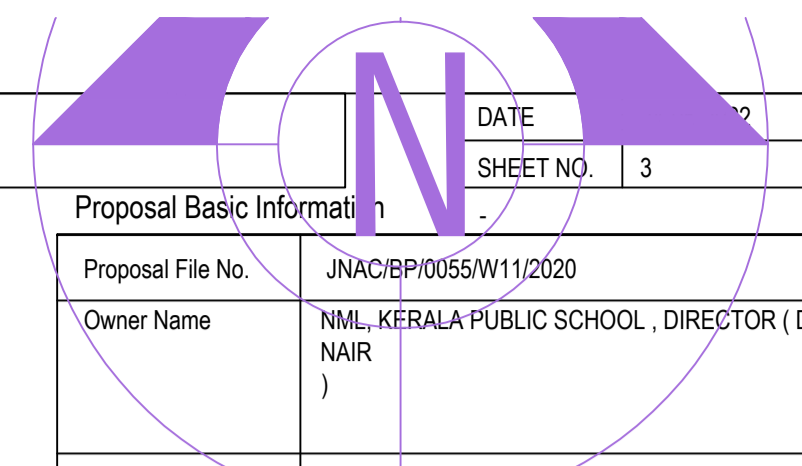
Parking Check (Table 7b)

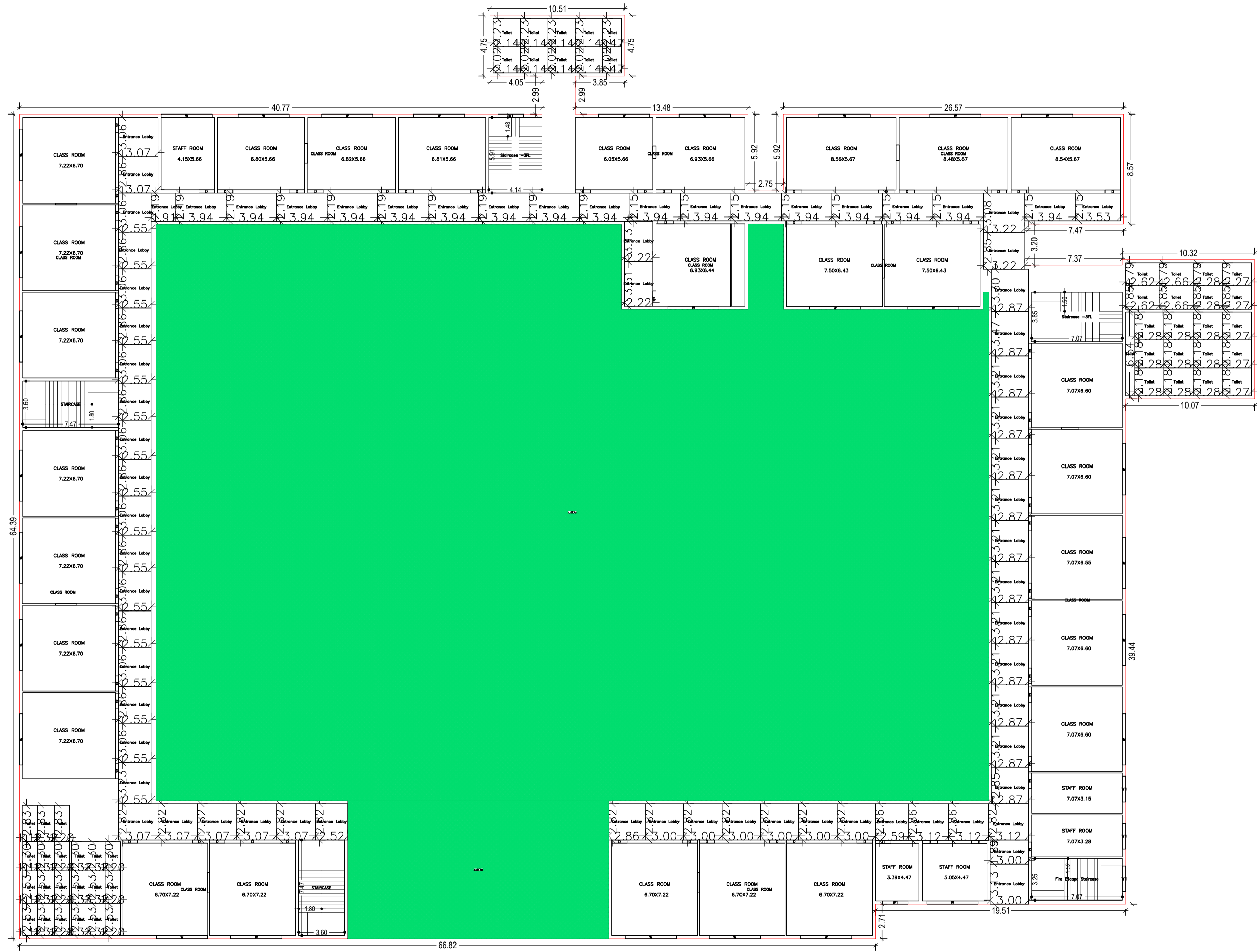
Vehicle Type	Reqd.		Prop.	
	No.	Area	No.	Area
Car	-	-	60	750.00
Total Car	-	-	60	750.00
TwoWheeler	-	-	124	248.00
Total TwoWheeler	-	-	124	248.00
Total	0.00		1246.00	

FAR & Tenement Details (Table 4c-1)

Building	No. of Same Bldg	Gross Built Up Area (Sq.mt.)	Deductions From Gross BUA/Area in Sq.mt.)	Total Built Up Area (Sq.mt.)	Deductions (Area in Sq.mt.)		Proposed FAR Area (Sq.mt.)	Total FAR Area (Sq.mt.)	Total Consumed Additional FAR Area (Sq.mt.)	Trmt (No.)
					StairCase	Accessory Use				
A (NML KERALA PUBLIC SCHOOL DIRECTOR DR SHRIKANT NAIR)	1	22267.22	11423.26	10843.96	93.60	3223.34	7527.02	7527.02	7527.02	40
Grand Total :	1	22267.22	11423.26	10843.96	93.60	3223.34	7527.02	7527.02	7527.02	40

LTP NAME AND SIGNATURE	STRUCTURAL ENG'S NAME AND SIGNATURE	BUILDER NAME AND SIGNATURE	DIGITAL SIGNATURE
NALIN GOEL JNAC/ARC/0018/2018			

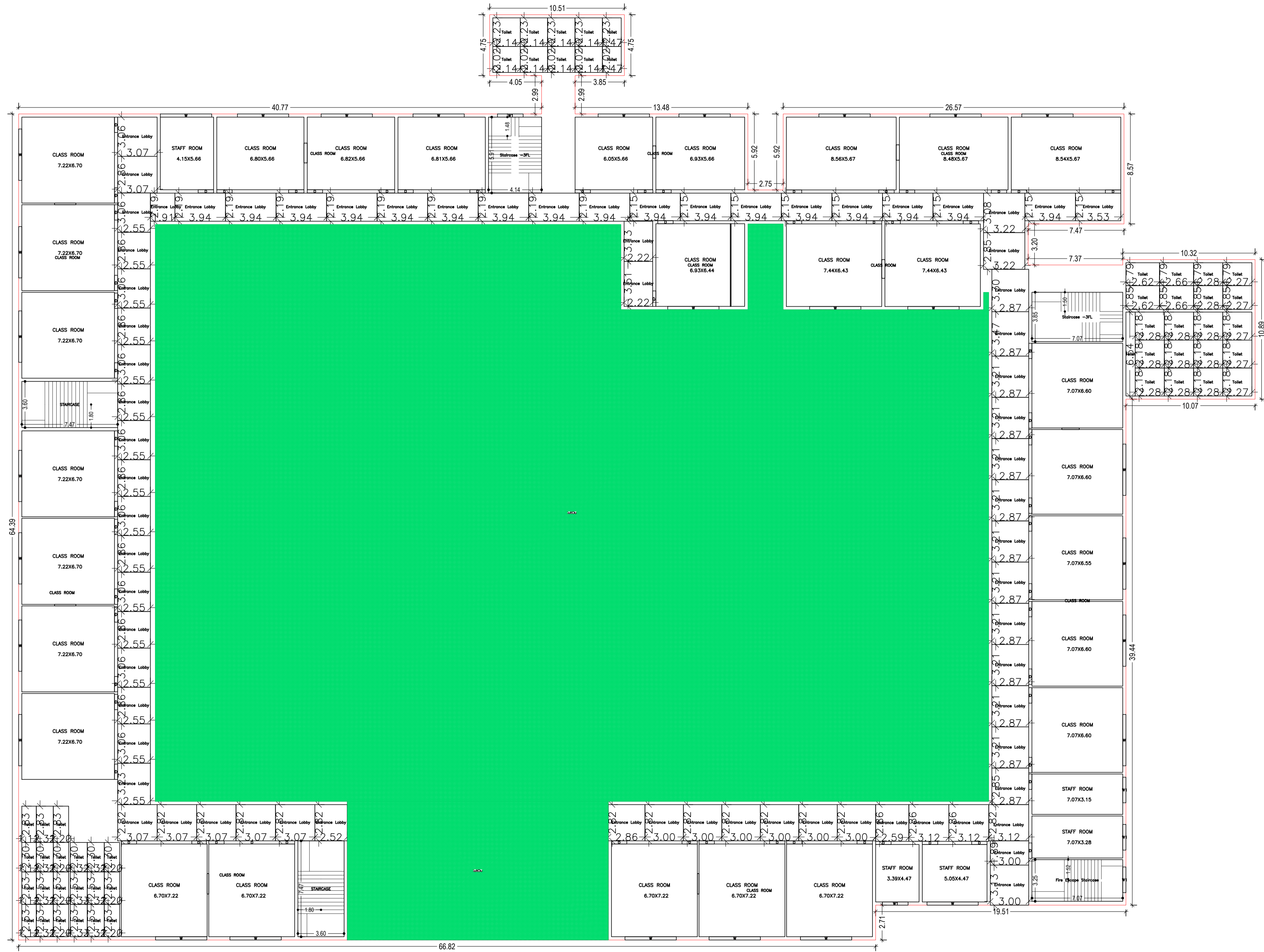
		DATE	2020
		SHEET NO.	3
Proposal Basic Information			
Proposal File No.	JNAC/BP/0055/W11/2020		
Owner Name	NML, KERALA PUBLIC SCHOOL , DIRECTOR (DR. SHR NAIR)		
Khata No	52		
Plot No	166 (p) & 361 (p)		
Village Name	BARA		
Use	Educational		
SubUse	Educational Building		



GROUND FLOOR PLAN
(Proposed)
(SCALE: 1:100)

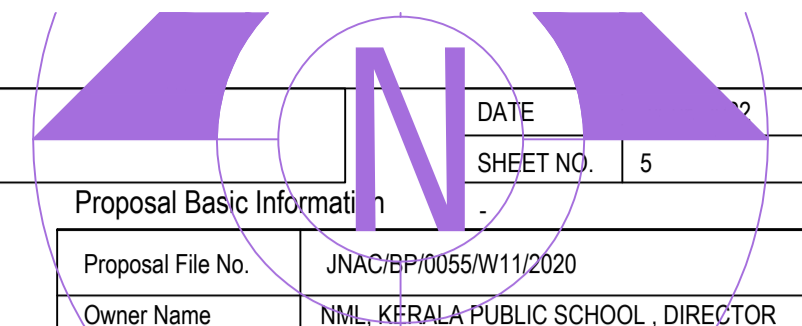
LTP NAME AND SIGNATURE	STRUCTURAL ENG'S NAME AND SIGNATURE	BUILDER NAME AND SIGNATURE	DIGITAL SIGNATURE
NALIN GOEL JNAC/ARC/0018/2018			

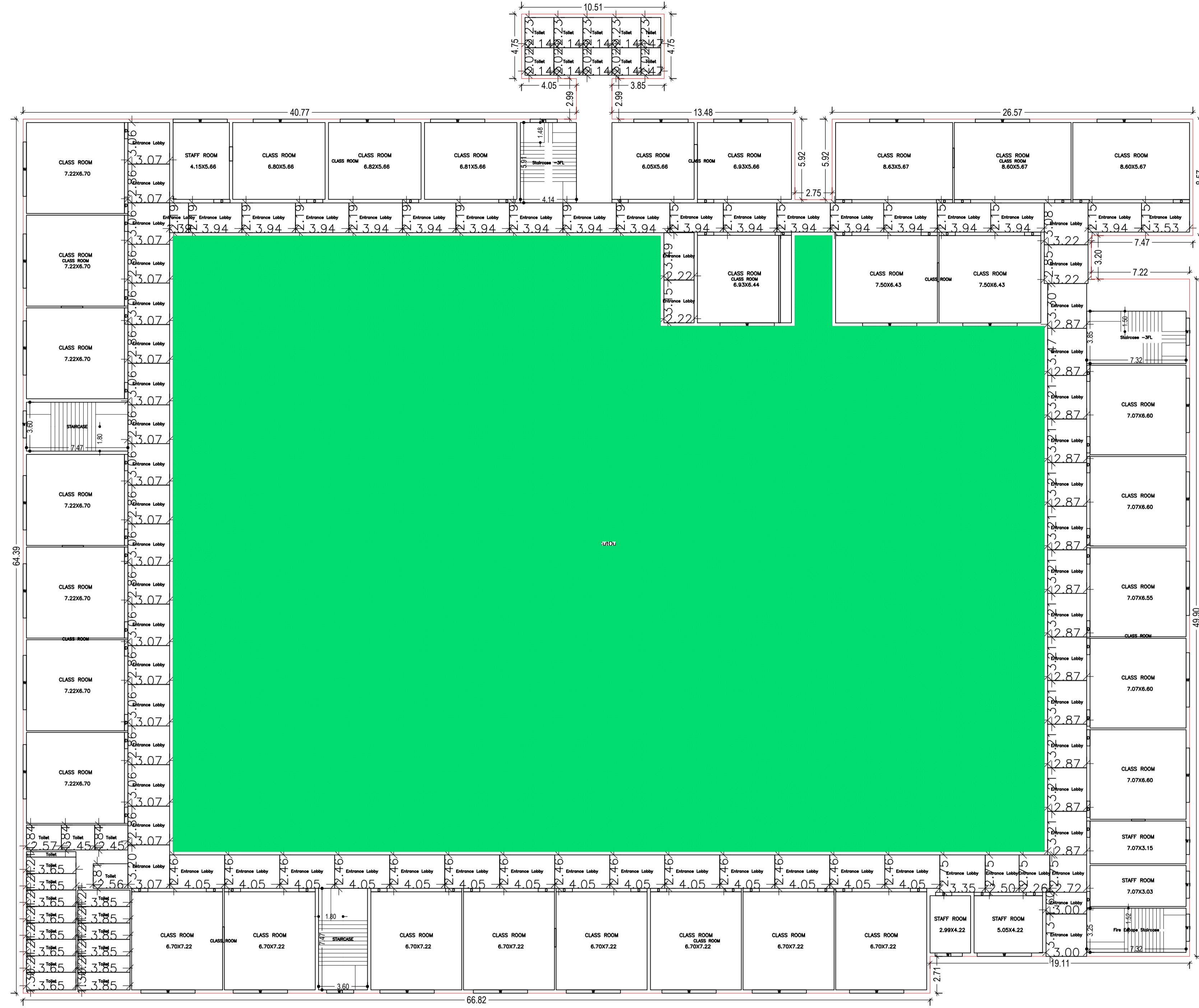
		DATE	2020
		SHEET NO.	4
Proposal Basic Information			
Proposal File No.	JNAC/BPI/0055/W11/2020		
Owner Name	NML, KERALA PUBLIC SCHOOL , DIRECTOR (DR. SHRIKANT NAIR)		
Khata No	52		
Plot No	166 (p) & 361 (p)		
Village Name	BARA		
Use	Educational		
SubUse	Educational Building		



FIRST FLOOR PLAN
(Proposed)
(SCALE 1:100)

LTP NAME AND SIGNATURE	STRUCTURAL ENG'S NAME AND SIGNATURE	BUILDER NAME AND SIGNATURE	DIGITAL SIGNATURE
NALIN GOEL JNAC/ARC/0018/2018			

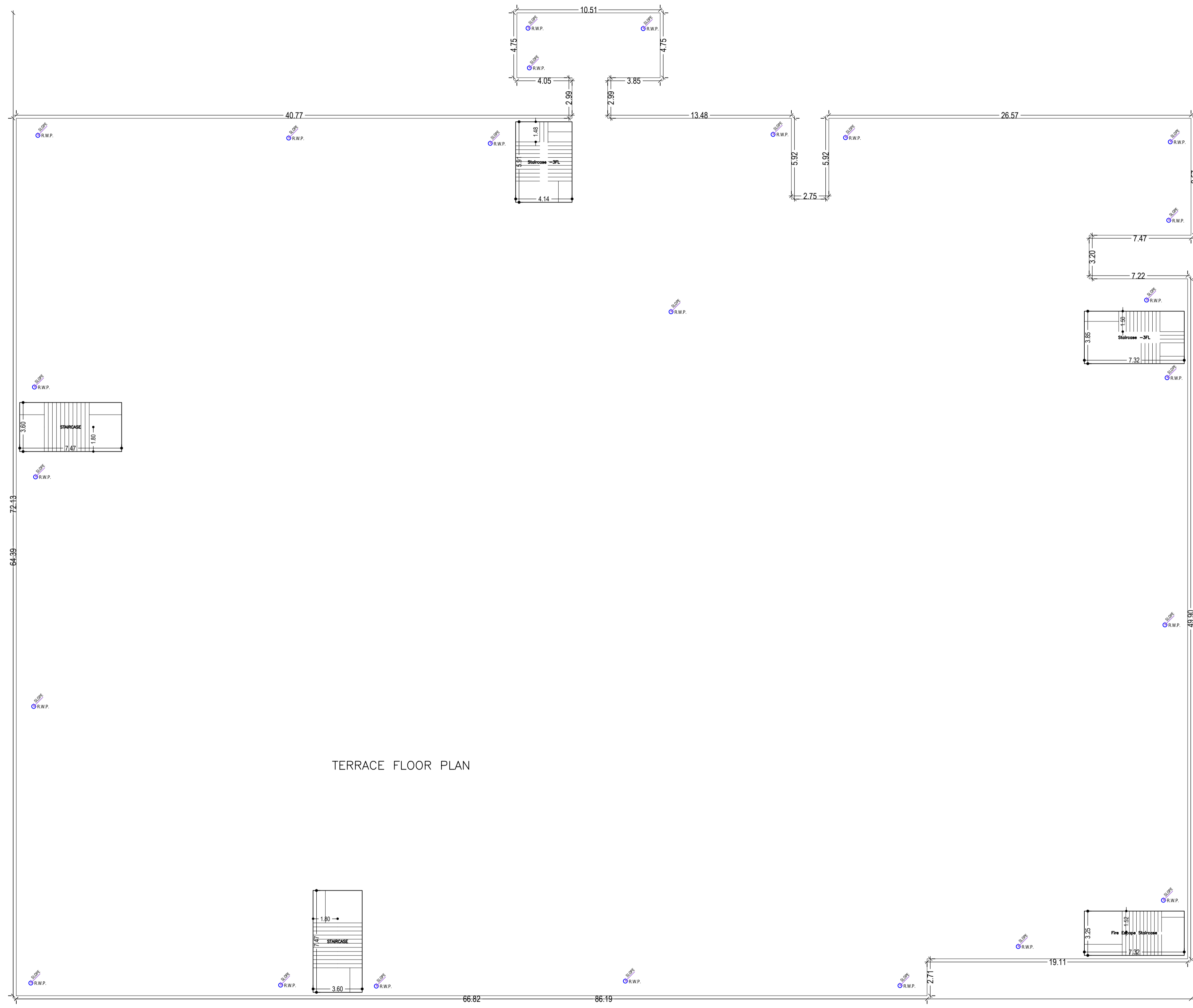
	
DATE	2020
SHEET NO.	5
Proposal Basic Information	
Proposal File No.	JNAC/BP/0055/W11/2020
Owner Name	NML, KERALA PUBLIC SCHOOL , DIRECTOR (DR. SHRIKANT NAIR)
Khata No	52
Plot No	166 (p) & 361 (p)
Village Name	BARA
Use	Educational
SubUse	Educational Building



TYPICAL - 2 & 3 FLOOR PLAN
(Proposed)
(SCALE: 1:100)

LTP NAME AND SIGNATURE	STRUCTURAL ENG'S NAME AND SIGNATURE	BUILDER NAME AND SIGNATURE	DIGITAL SIGNATURE
NALIN GOEL JNAC/ARC/0018/2018			

		DATE	2020
		SHEET NO.	6
Proposal Basic Information			
Proposal File No.	JNAC/BP/0055/W11/2020		
Owner Name	NML, KERALA PUBLIC SCHOOL , DIRECTOR (DR. SHRIKANT NAIR)		
Khata No	52		
Plot No	166 (p) & 361 (p)		
Village Name	BARA		
Use	Educational		
SubUse	Educational Building		



TERRACE FLOOR PLAN

TERRACE FLOOR PLAN (SCALE 1:100)

LTP NAME AND SIGNATURE	STRUCTURAL ENG'S NAME AND SIGNATURE	BUILDER NAME AND SIGNATURE	DIGITAL SIGNATURE
NALIN GOEL JNAC/ARC/0018/2018			

DATE		2022
SHEET NO.		7
Proposal Basic Information		
Proposal File No.	JNAC/BP/0055/W11/2020	
Owner Name	NML, KERALA PUBLIC SCHOOL , DIRECTOR (DR. SHRIKANT NAIR)	
Khata No	52	
Plot No	166 (p) & 361 (p)	
Village Name	BARA	
Use	Educational	
SubUse	Educational Building	

Building :A (NML KERALA PUBLIC SCHOOL DIRECTOR DR SHRIKANT NAIR)

Floor Name	Gross Builtup Area	Deductions From Gross BUA(Area in Sq.mt.)		Total Built Up Area (Sq.mt.)	Deductions (Area in Sq.mt.)		Proposed FAR Area (Sq.mt.)	Total FAR Area (Sq.mt.)	Total Consumed Additional FAR Area (Sq.mt.)	Tnmt (No.)
		Cutout			Stair/Case	Accessory Use				
Ground Floor	5631.68	2971.00	2660.68	22.99	817.28	1820.41	1820.41	1820.41	1820.41	10
First Floor	5631.68	2971.00	2660.68	22.99	817.28	1820.41	1820.41	1820.41	1820.41	10
Second Floor	5501.93	2740.63	2761.30	23.81	794.39	1943.10	1943.10	1943.10	1943.10	10
Third Floor	5501.93	2740.63	2761.30	23.81	794.39	1943.10	1943.10	1943.10	1943.10	10
Terrace Floor	0.00	0.00	0.00	0.00	0.00	0.00	0.00	0.00	0.00	00
Total :	22267.22	11423.26	10843.96	93.60	3223.34	7527.02	7527.02	7527.02	7527.02	40
Total Number of Same Buildings :	1									
Total :	22267.22	11423.26	10843.96	93.60	3223.34	7527.02	7527.02	7527.02	7527.02	40

SCHEDULE OF DOOR:

BUILDING NAME	NAME	LENGTH	HEIGHT	NOS
A (NML KERALA PUBLIC SCHOOL DIRECTOR DR SHRIKANT NAIR)	D	1.14	2.13	02
A (NML KERALA PUBLIC SCHOOL DIRECTOR DR SHRIKANT NAIR)	D	1.20	2.13	246

SCHEDULE OF WINDOW/VENTILATION:

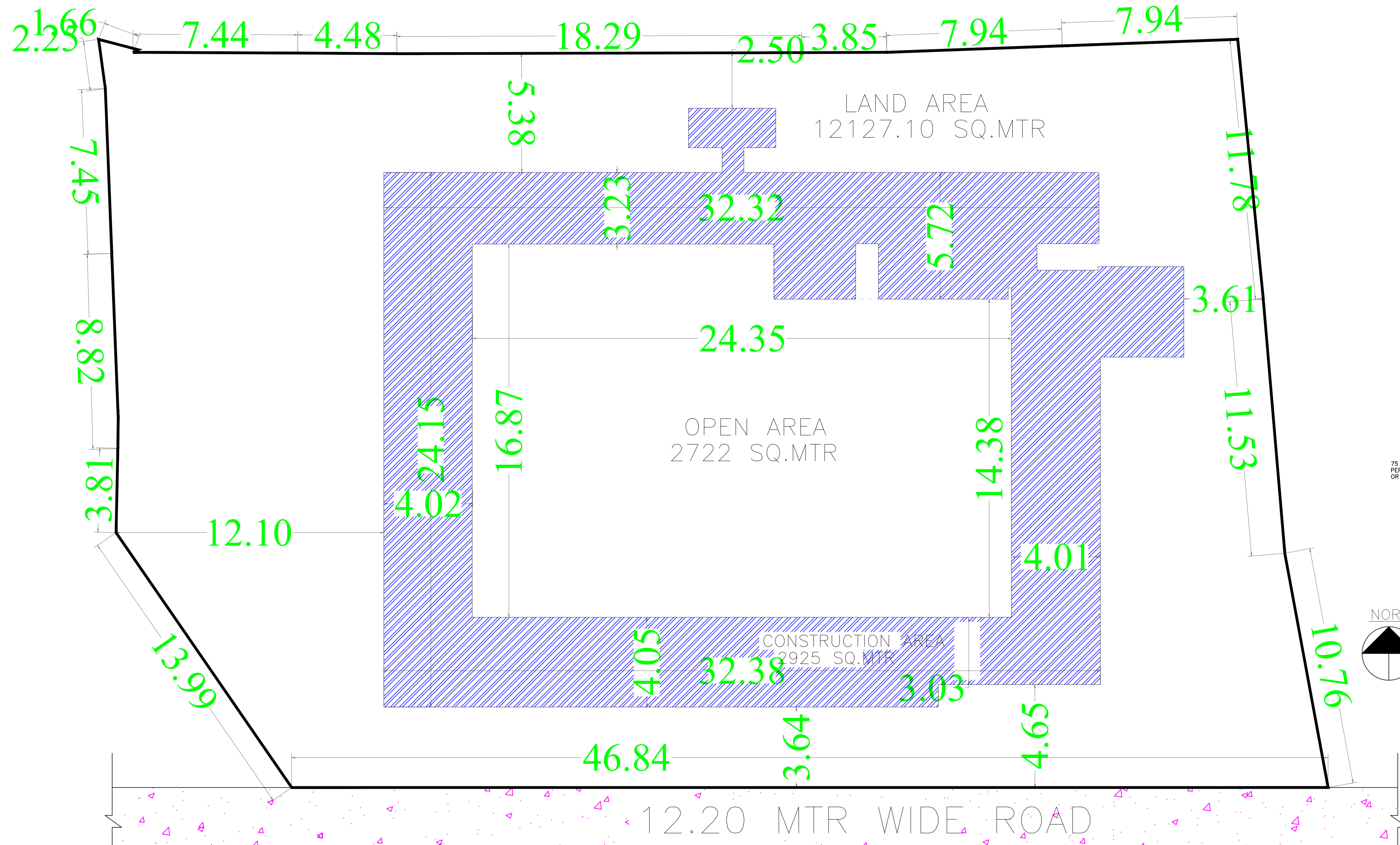
BUILDING NAME	NAME	LENGTH	HEIGHT	NOS
A (NML KERALA PUBLIC SCHOOL DIRECTOR DR SHRIKANT NAIR)	W1	2.00	2.70	26
A (NML KERALA PUBLIC SCHOOL DIRECTOR DR SHRIKANT NAIR)	W	4.00	2.75	124

UnitBUA Table for Building :A (NML KERALA PUBLIC SCHOOL DIRECTOR DR SHRIKANT NAIR)

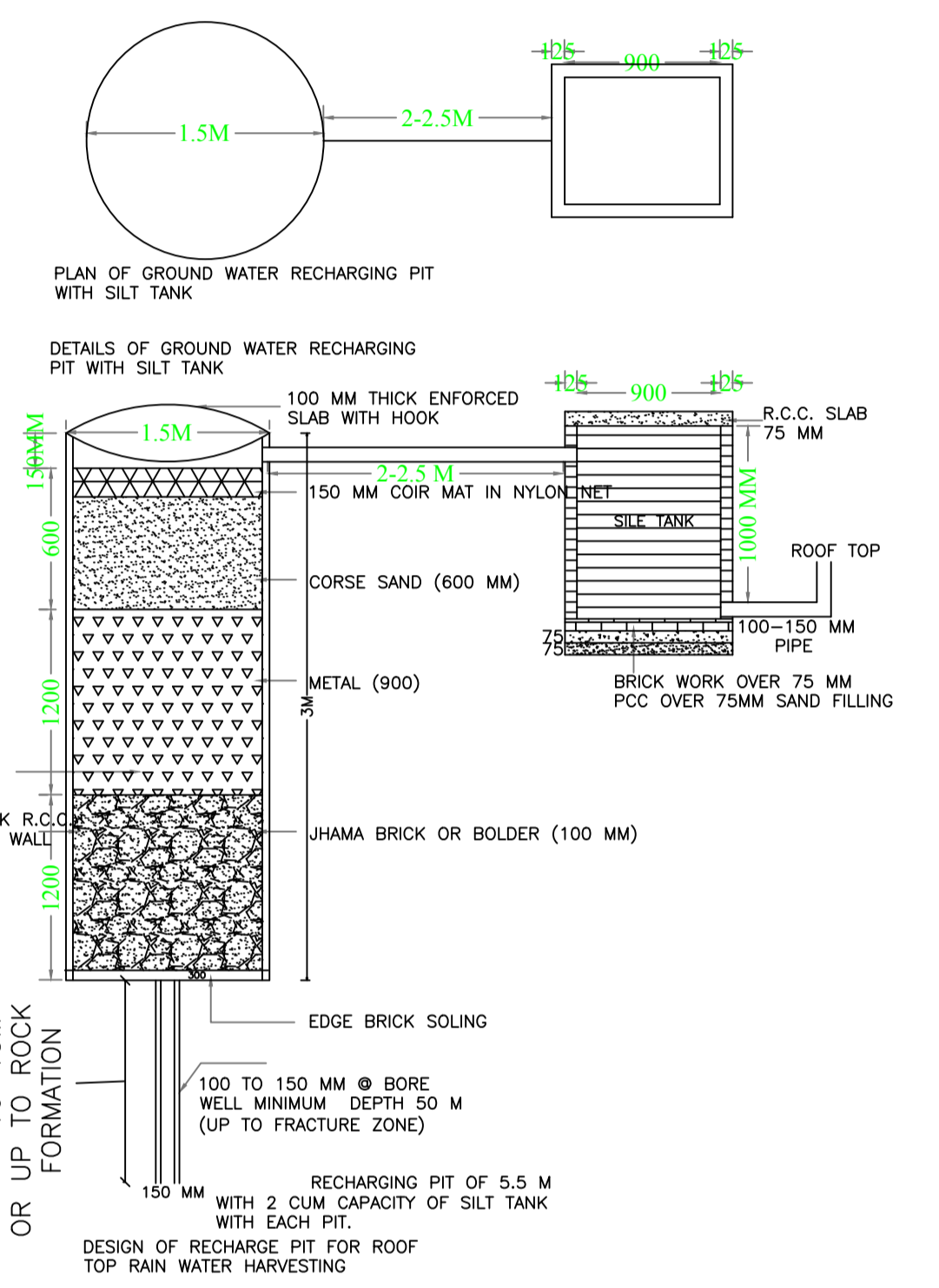
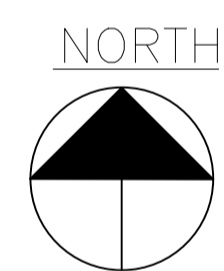
FLOOR	Name	UnitBUA Type	UnitBUA Area	Carpet Area	No. of Rooms	No. of Tenement
GROUND FLOOR PLAN	CLASS ROOM	CLASS ROOM	147.97	147.67	3	10
	CLASS ROOM	CLASS ROOM	97.33	97.15	2	
	CLASS ROOM	CLASS ROOM	44.58	44.17	1	
	CLASS ROOM	CLASS ROOM	74.89	74.65	2	
	CLASS ROOM	CLASS ROOM	143.47	143.09	4	
	CLASS ROOM	CLASS ROOM	97.72	97.52	2	
	CLASS ROOM	CLASS ROOM	188.83	188.63	5	
	CLASS ROOM	CLASS ROOM	283.88	283.71	7	
	CLASS ROOM	CLASS ROOM	196.34	196.13	4	
	CLASS ROOM	CLASS ROOM	147.04	146.83	3	
FIRST FLOOR PLAN	CLASS ROOM	CLASS ROOM	147.97	147.67	3	10
	CLASS ROOM	CLASS ROOM	97.33	96.97	2	
	CLASS ROOM	CLASS ROOM	44.58	44.17	1	
	CLASS ROOM	CLASS ROOM	74.89	74.65	2	
	CLASS ROOM	CLASS ROOM	143.47	143.09	4	
	CLASS ROOM	CLASS ROOM	97.72	97.52	2	
	CLASS ROOM	CLASS ROOM	188.83	188.63	5	
	CLASS ROOM	CLASS ROOM	283.88	283.71	7	
	CLASS ROOM	CLASS ROOM	196.34	196.13	4	
	CLASS ROOM	CLASS ROOM	147.04	146.83	3	
TYPICAL - 2 & 3 FLOOR PLAN	CLASS ROOM	CLASS ROOM	97.72	97.57	2	20
	CLASS ROOM	CLASS ROOM	282.12	281.99	7	
	CLASS ROOM	CLASS ROOM	147.98	147.80	3	
	CLASS ROOM	CLASS ROOM	74.89	74.58	2	
	CLASS ROOM	CLASS ROOM	143.47	143.21	4	
	CLASS ROOM	CLASS ROOM	147.04	146.84	3	
	CLASS ROOM	CLASS ROOM	196.34	196.14	4	
	CLASS ROOM	CLASS ROOM	331.94	331.77	8	
	CLASS ROOM	CLASS ROOM	97.33	97.15	2	
	CLASS ROOM	CLASS ROOM	44.58	43.74	1	
Total:	-	-	5970.88	5960.54	138	40

LTP NAME AND SIGNATURE	STRUCTURAL ENG'S NAME AND SIGNATURE	BUILDER NAME AND SIGNATURE	DIGITAL SIGNATURE
NALIN GOEL JNAC/ARC/0018/2018			

DATE	22/07/2022
SHEET NO.	8
Proposal Basic Information	
Proposal File No.	JNAC/BPI/0055/W11/2020
Owner Name	NML, KERALA PUBLIC SCHOOL , DIRECTOR (DR. SHRIKANT NAIR)
Khata No	52
Plot No	166 (p) & 361 (p)
Village Name	BARA
Use	Educational
SubUse	Educational Building

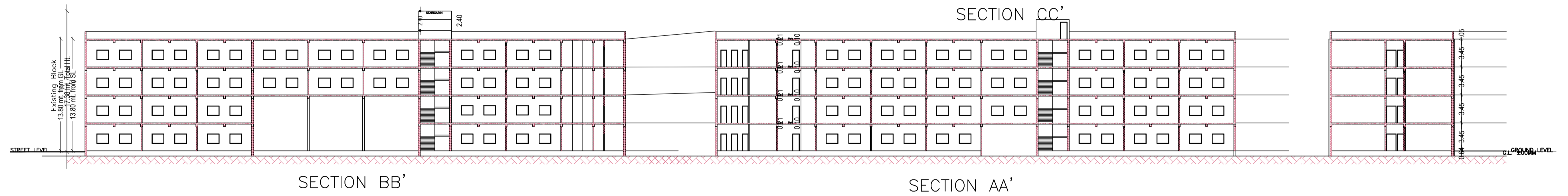


SITE PLAN
SCALE- 1:100



LTP NAME AND SIGNATURE	STRUCTURAL ENG'S NAME AND SIGNATURE	BUILDER NAME AND SIGNATURE	DIGITAL SIGNATURE
NALIN GOEL JNACIARC/0018/2018			

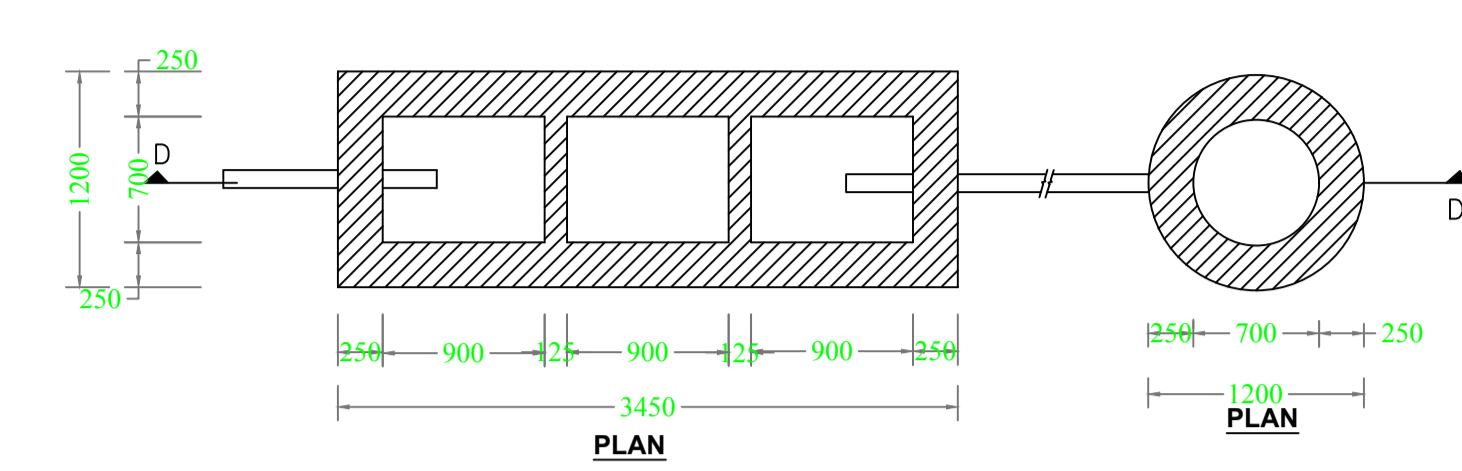
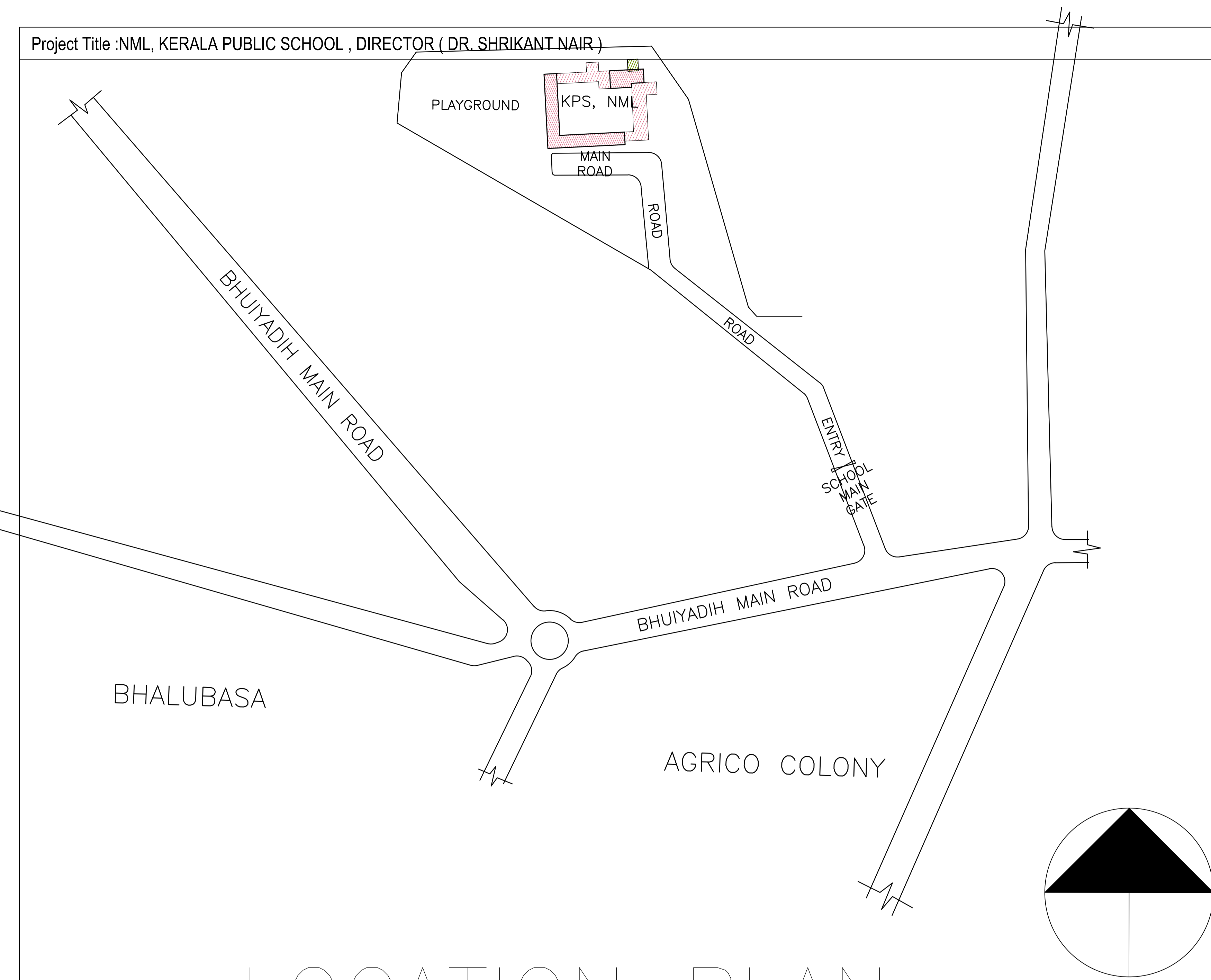
		DATE	
		SHEET NO.	9
Proposal Basic Information			
Proposal File No.	JNAC/BPI/0055/W11/2020		
Owner Name	NML, KERALA PUBLIC SCHOOL , DIRECTOR (DR. SHRIKANT NAIR)		
Khata No	52		
Plot No	166 (p) & 361 (p)		
Village Name	BARA		
Use	Educational		
SubUse	Educational Building		



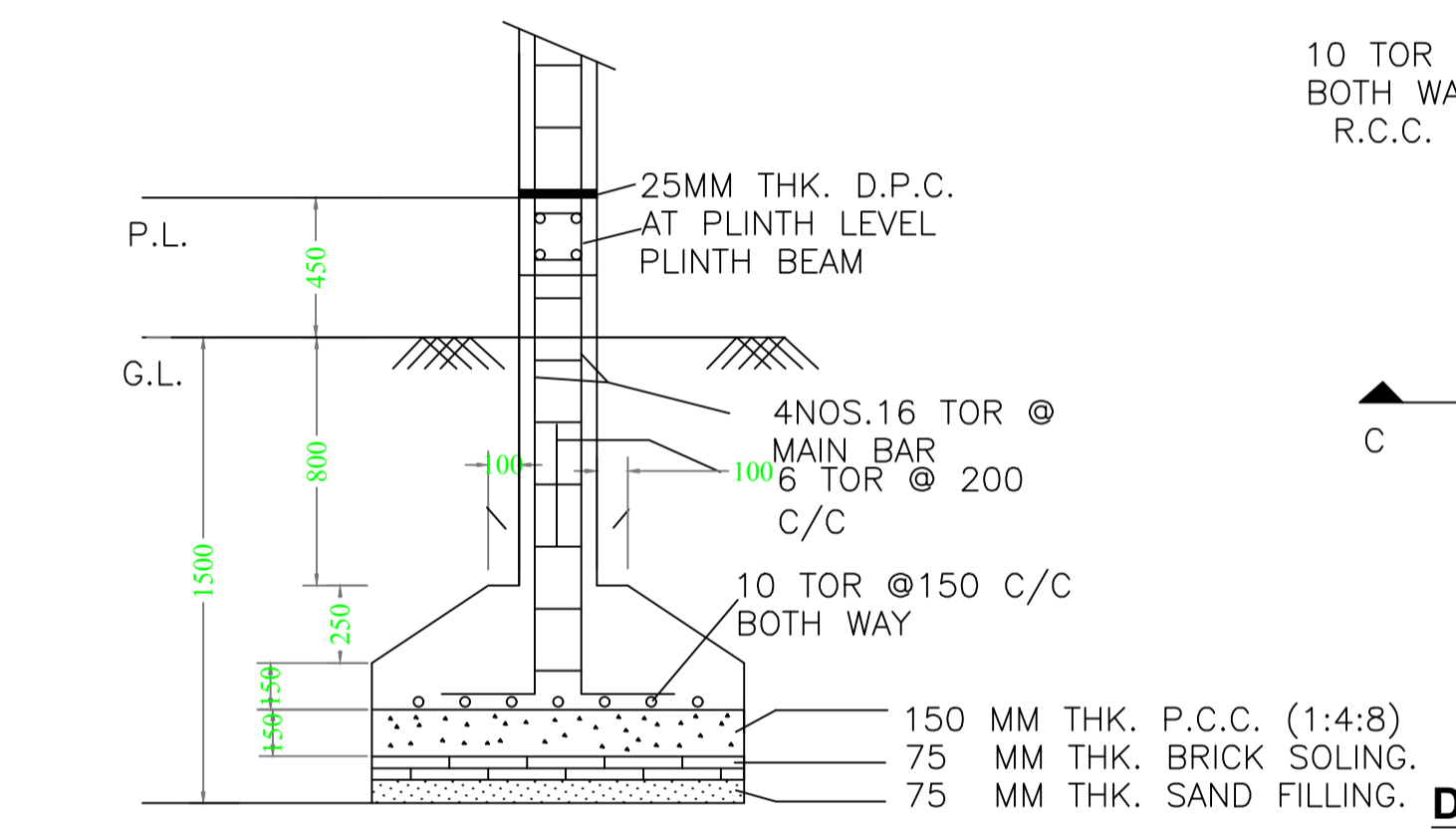
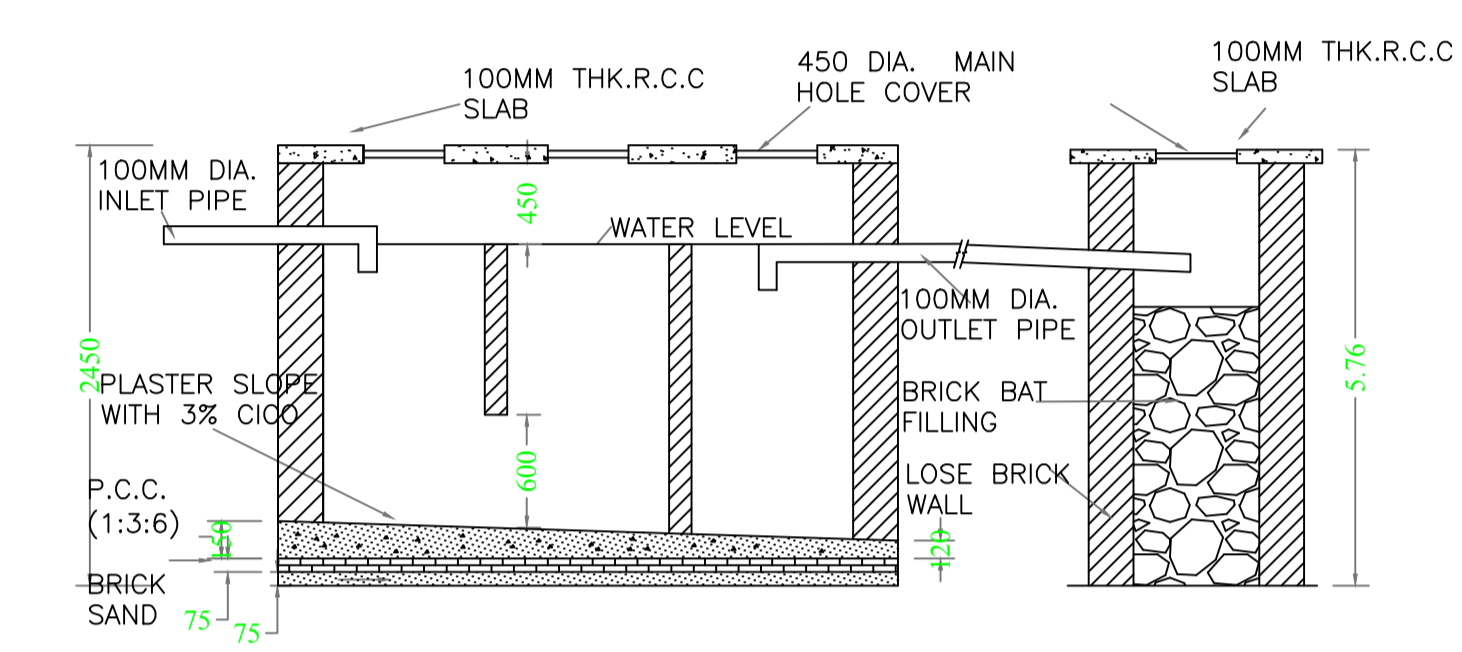
LTP NAME AND SIGNATURE	STRUCTURAL ENG'S NAME AND SIGNATURE	BUILDER NAME AND SIGNATURE	DIGITAL SIGNATURE
NALIN GOEL JNAC/ARC/0018/2018			

Project Title :NML, KERALA PUBLIC SCHOOL , DIRECTOR (DR. SHRIKANT NAIR)

DATE	11/02/2020
SHEET NO.	10
Proposal Basic Information	
Proposal File No.	JNAC/BPI/0055/W11/2020
Owner Name	NML, KERALA PUBLIC SCHOOL , DIRECTOR (DR. SHRIKANT NAIR)
Khata No	52
Plot No	166 (p) & 361 (p)
Village Name	BARA
Use	Educational
SubUse	Educational Building



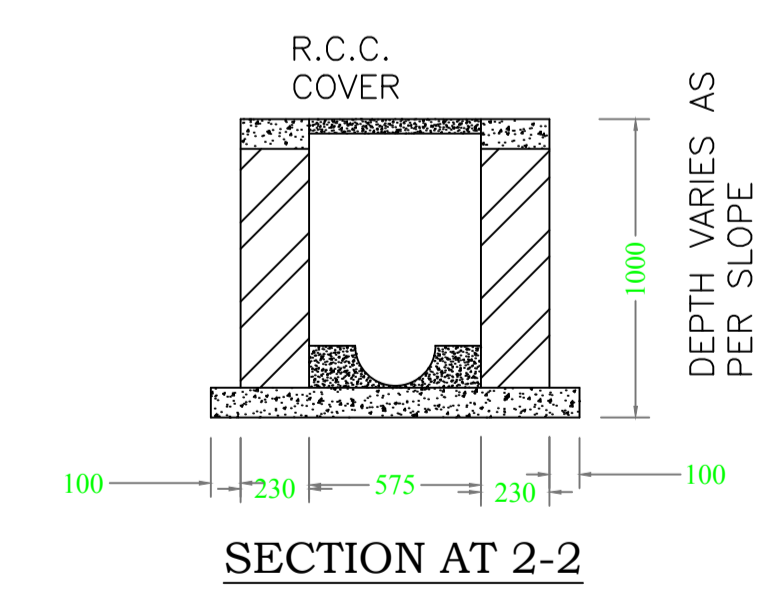
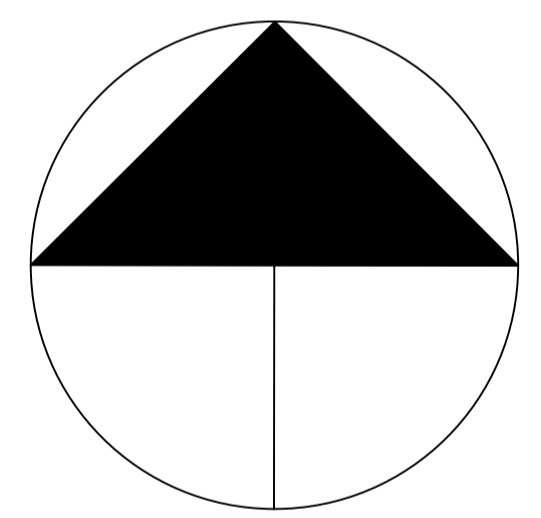
DETAIL OF SEPTIC TANK & SOAKPIT.



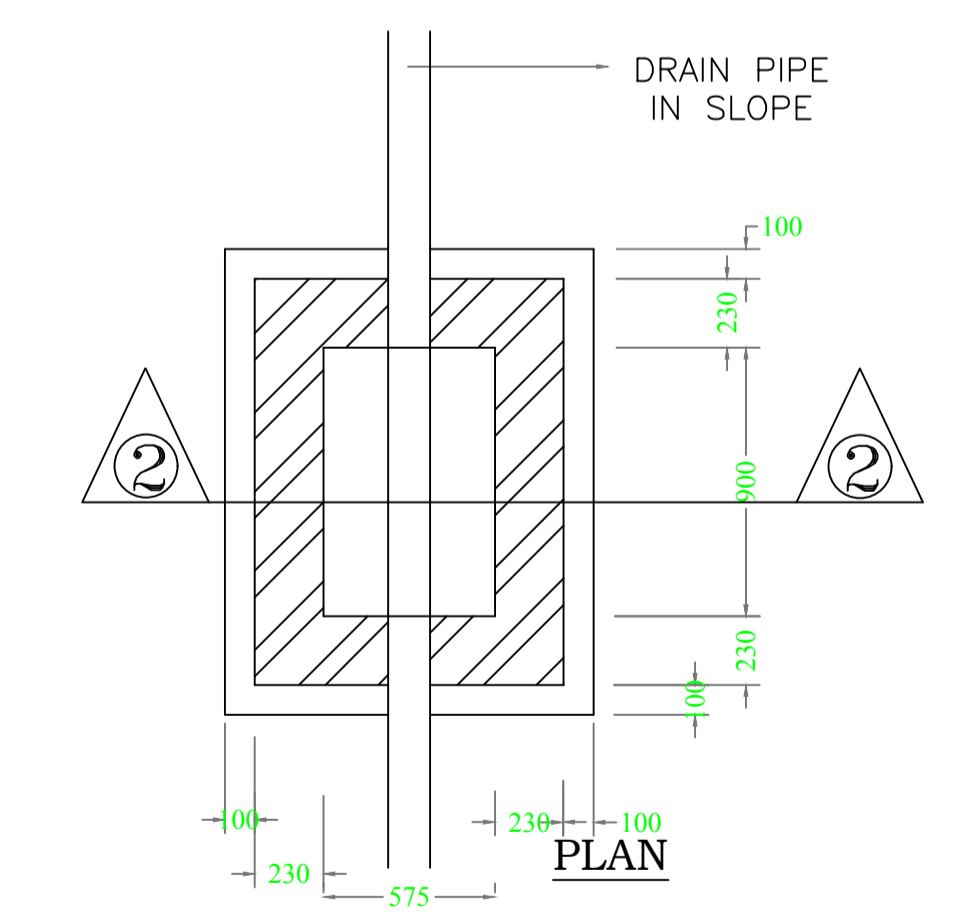
SECTION - CC

DETAIL OF FOUNDATION

LOCATION PLAN
SCALE - NTS



SECTION AT 2-2



I.C. DETAILS

LTP NAME AND SIGNATURE	STRUCTURAL ENG'S NAME AND SIGNATURE	BUILDER NAME AND SIGNATURE	DIGITAL SIGNATURE
NALIN GOEL JNAC/ARC/0018/2018			

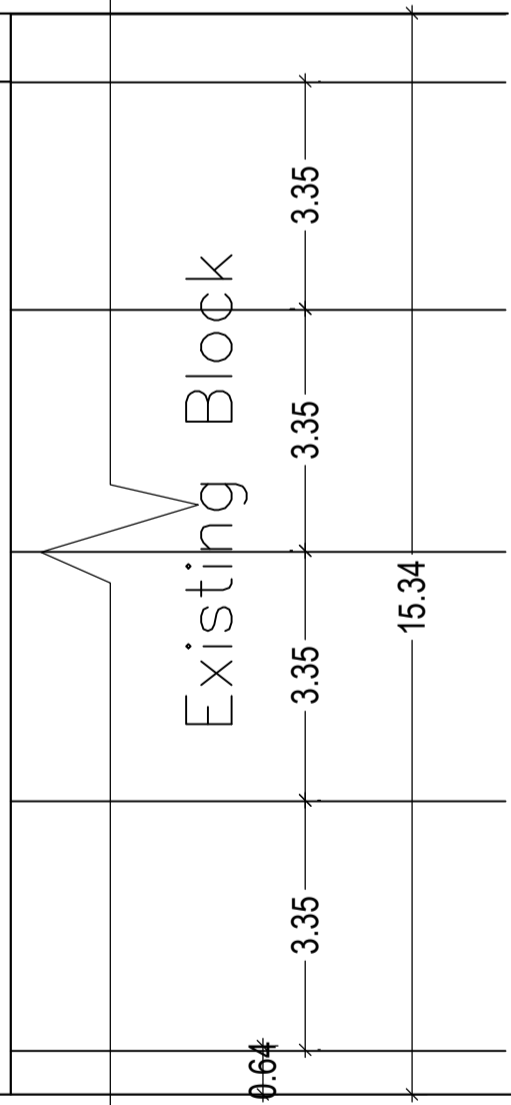
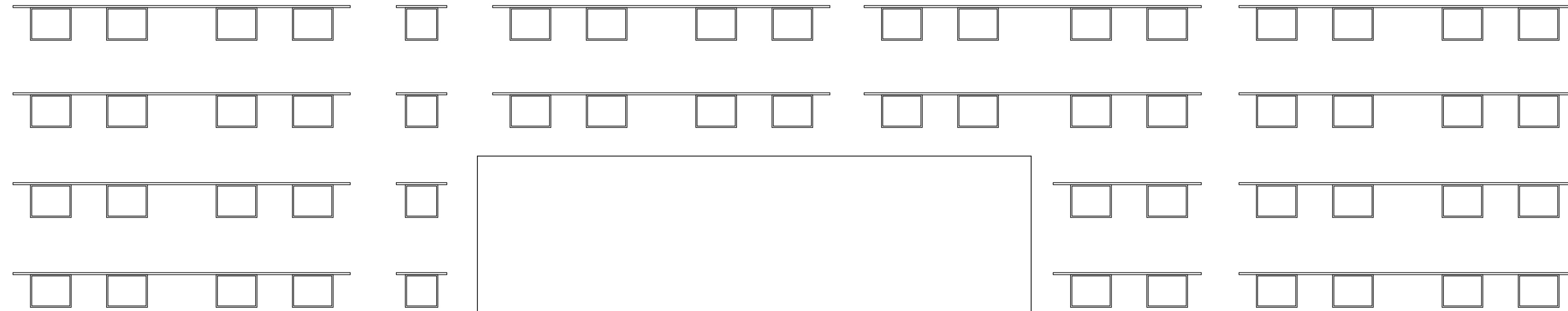
DATE	
SHEET NO. 11	
Proposal Basic Information	
Proposal File No.	JNAC/BPI/0055/W11/2020
Owner Name	NML, KERALA PUBLIC SCHOOL , DIRECTOR (DR. SHRIKANT NAIR)
Khata No	52
Plot No	166 (p) & 361 (p)
Village Name	BARA
Use	Educational
SubUse	Educational Building



WEST ELEVATION (FROM COURTYARD)

LTP NAME AND SIGNATURE	STRUCTURAL ENG'S NAME AND SIGNATURE	BUILDER NAME AND SIGNATURE	DIGITAL SIGNATURE
NALIN GOEL JNAC/ARC/0018/2018			

DATE		
SHEET NO.		12
Proposal Basic Information		
Proposal File No.	JNAC/BPI/0055/W11/2020	
Owner Name	NML, KERALA PUBLIC SCHOOL , DIRECTOR (DR. SHR NAIR)	
Khata No	52	
Plot No	166 (p) & 361 (p)	
Village Name	BARA	
Use	Educational	
SubUse	Educational Building	



G.L. ±00MM

FRONT ELEVATION

LTP NAME AND SIGNATURE	STRUCTURAL ENG'S NAME AND SIGNATURE	BUILDER NAME AND SIGNATURE	DIGITAL SIGNATURE
NALIN GOEL JNAC/ARC/0018/2018			