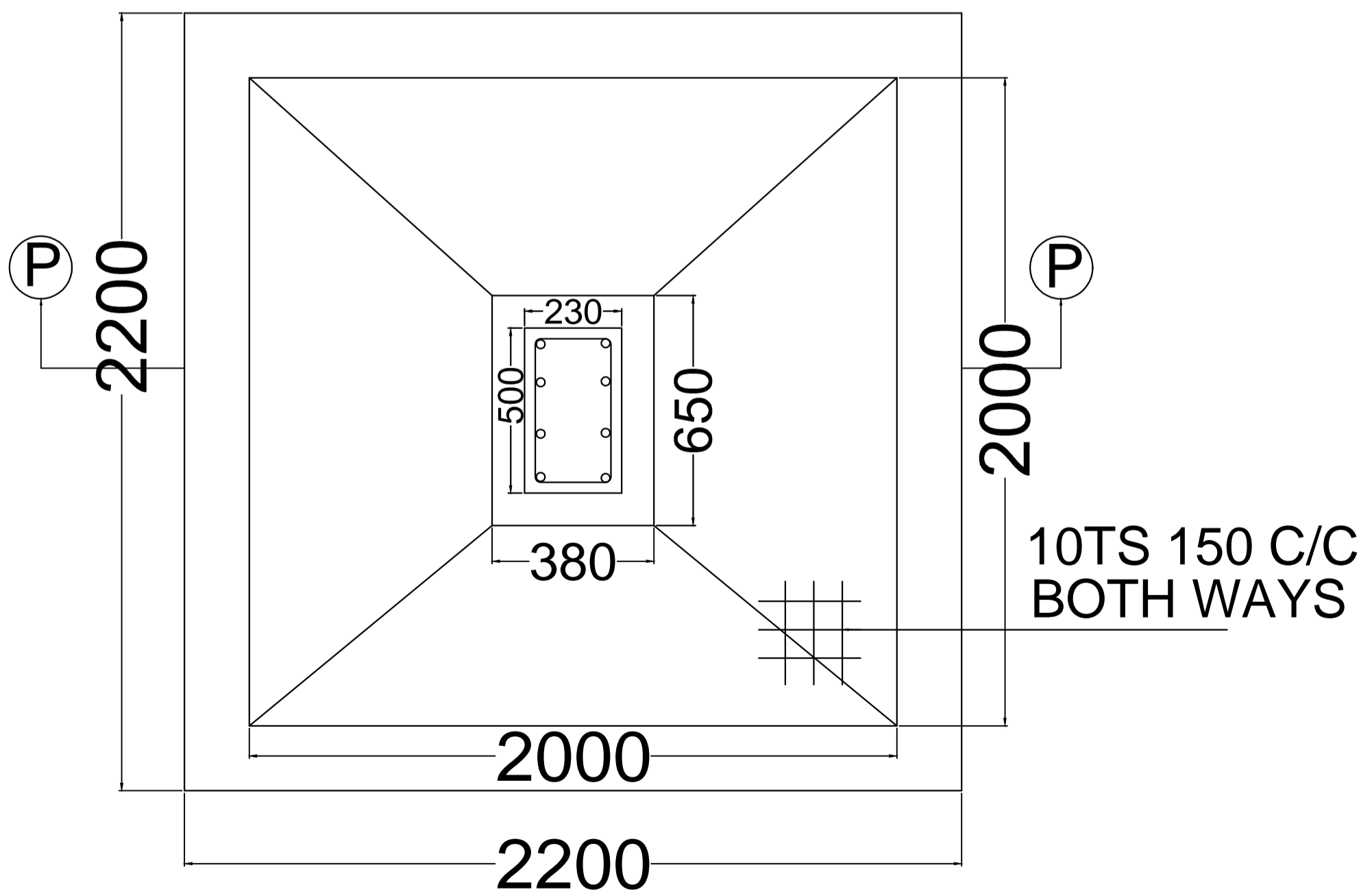
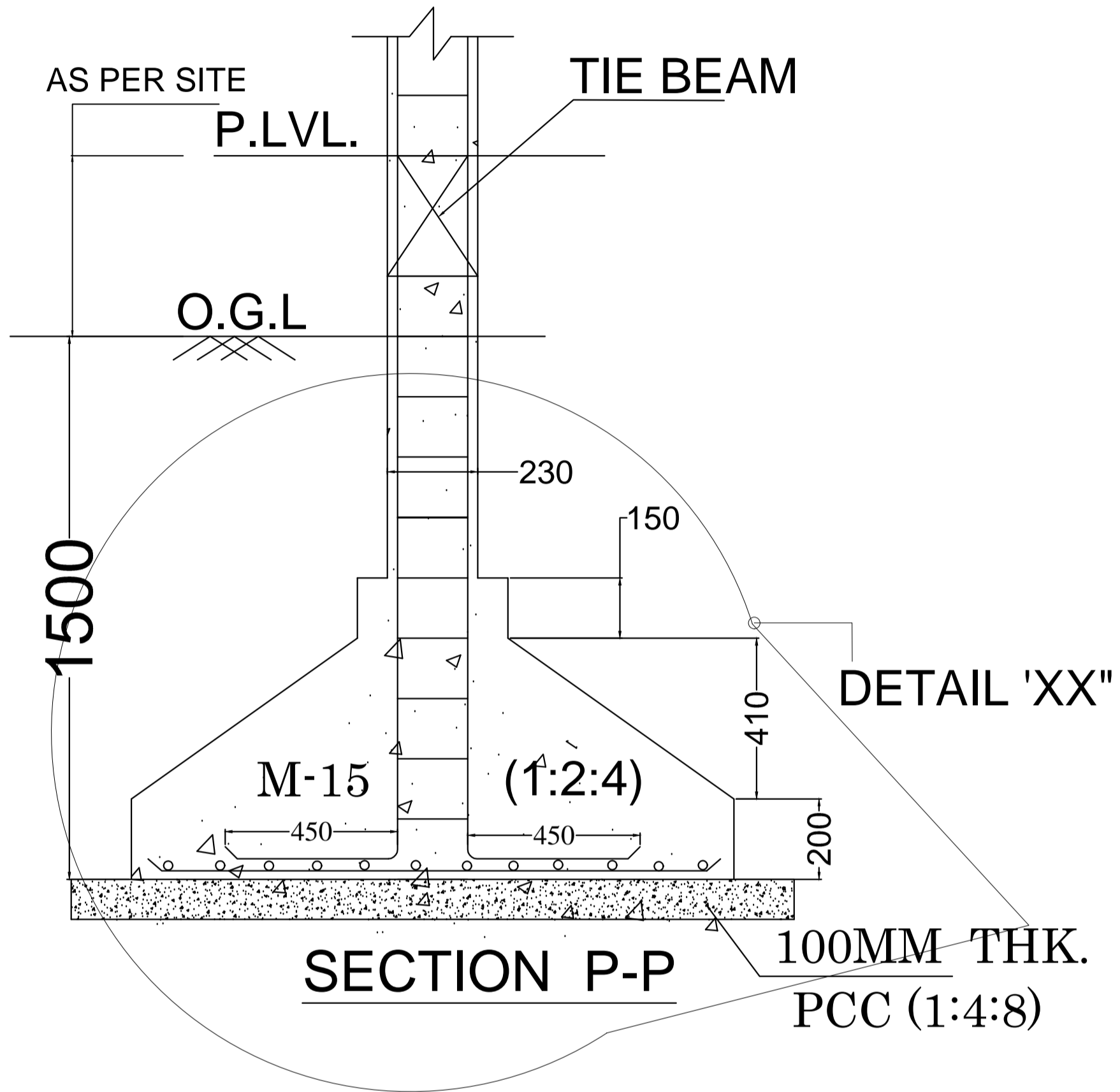


**C/S OF COL.**



**PLAN**

**FOOTING PLAN (AS/STRL. DESIGN)**