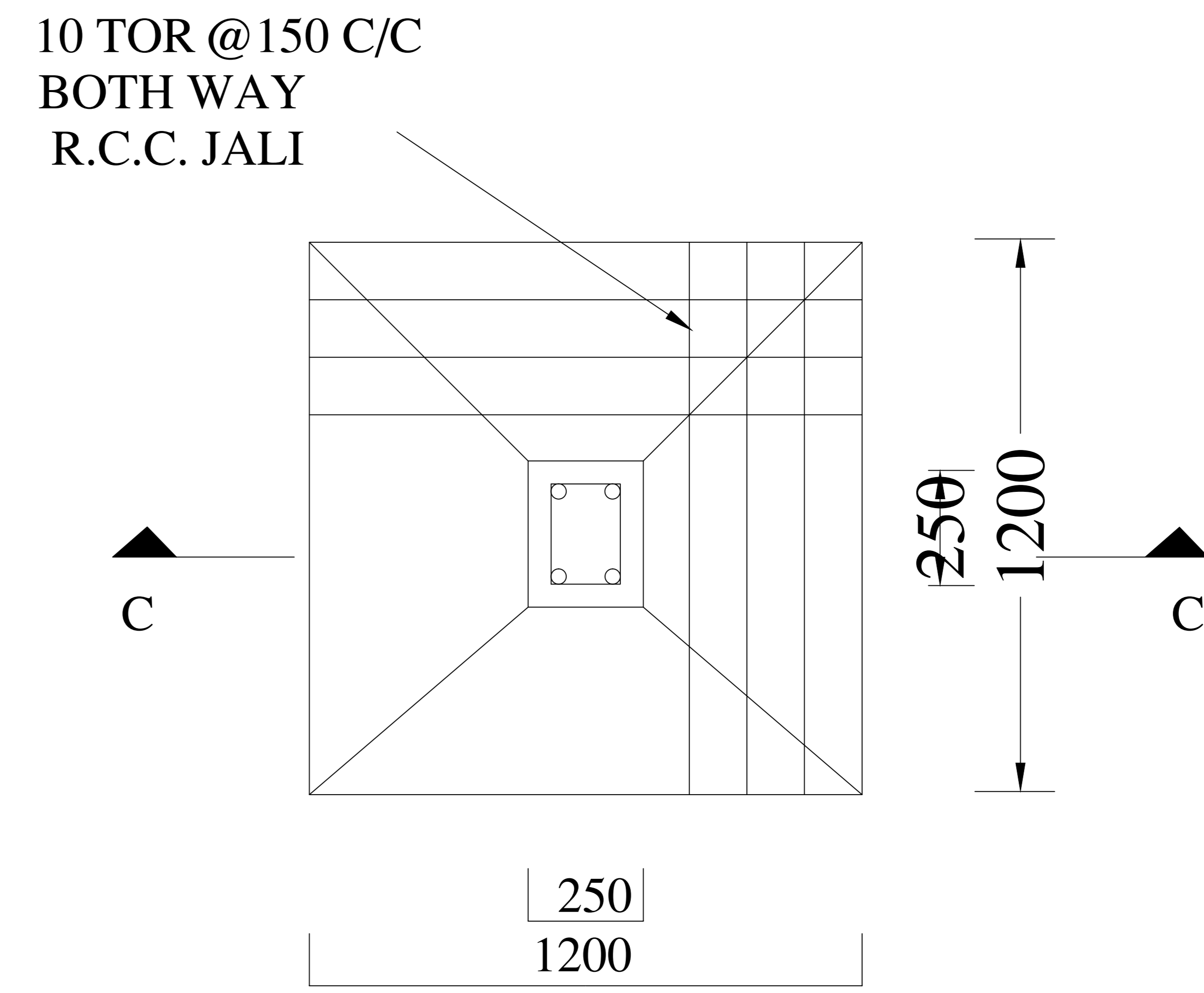
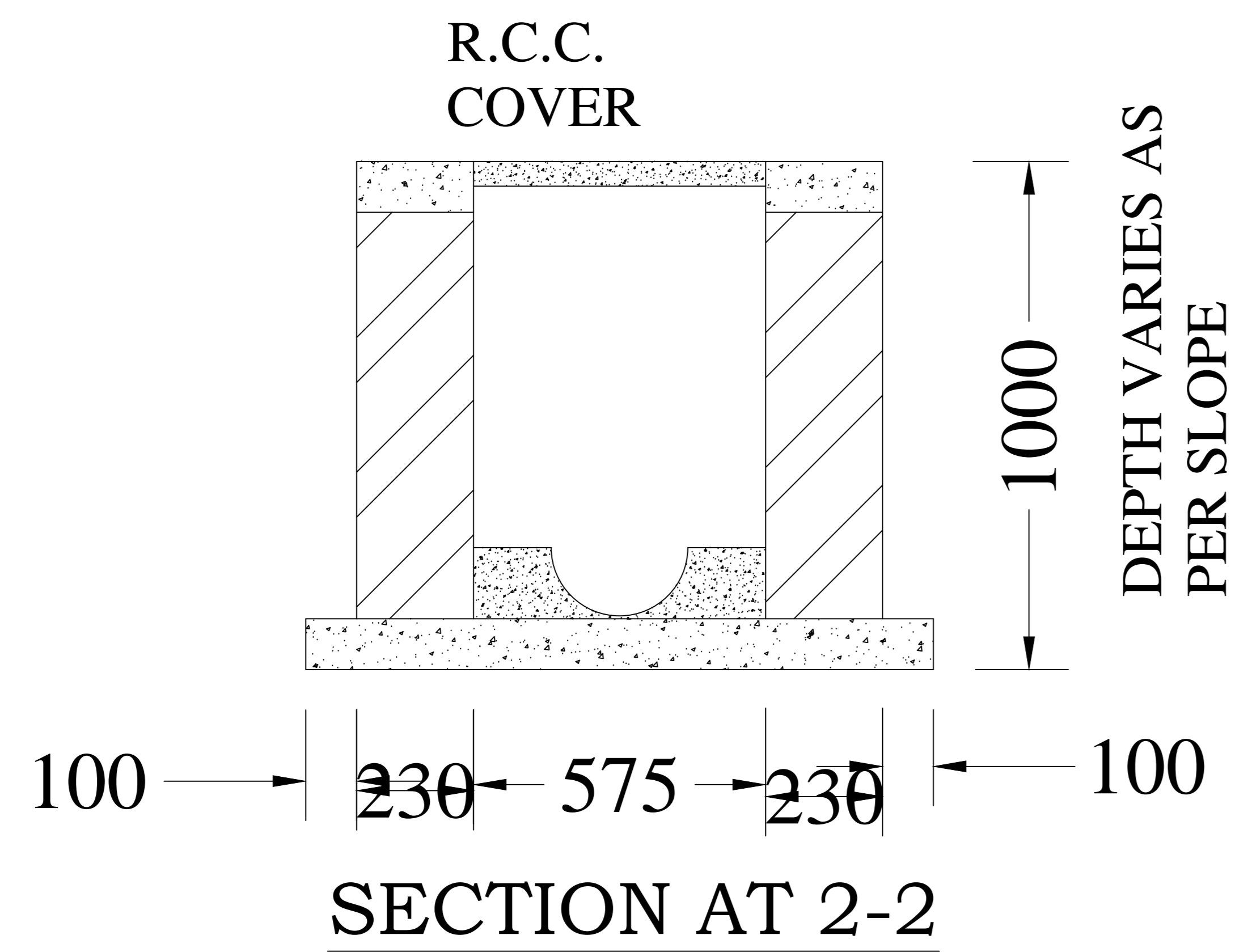


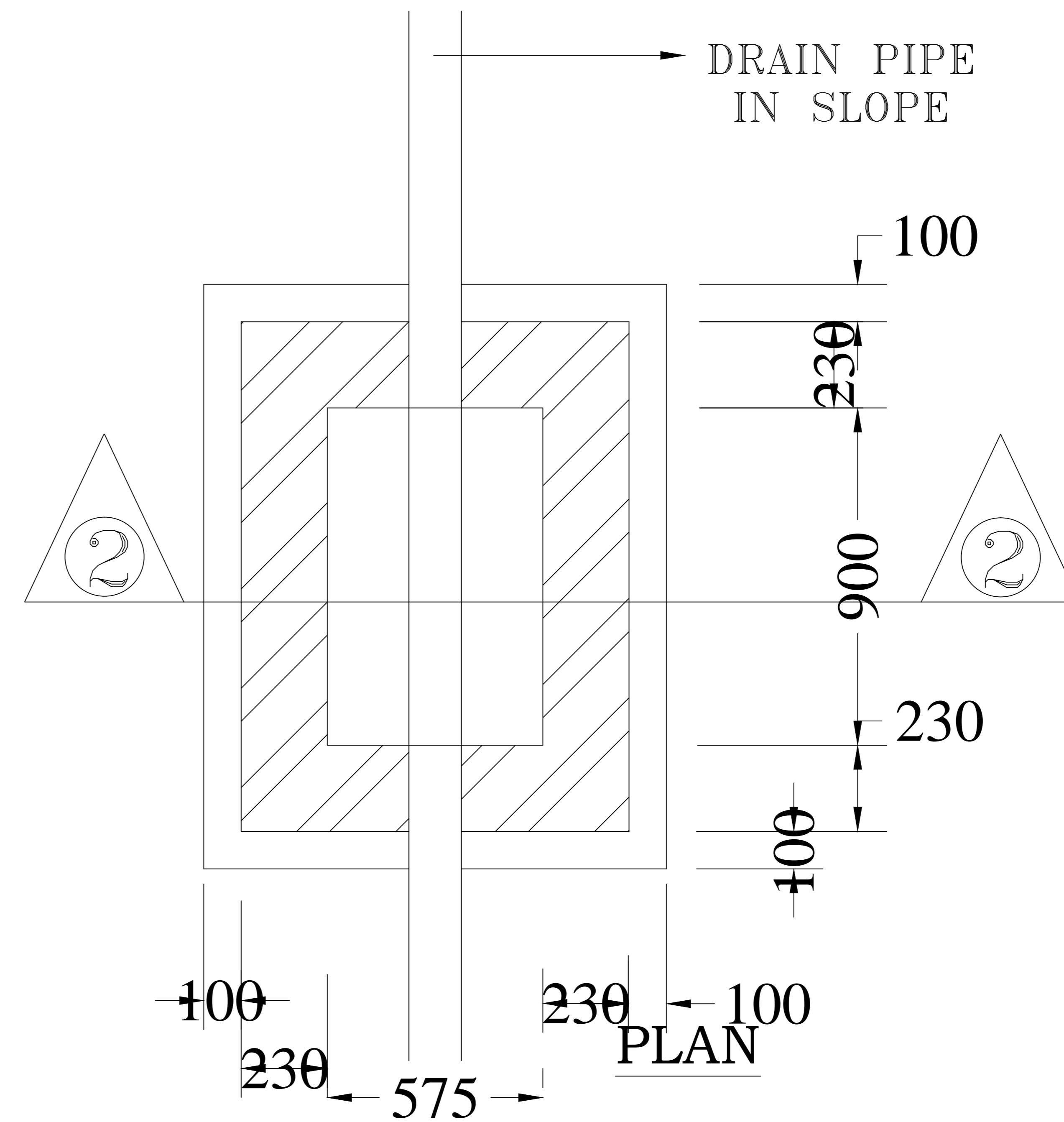
SECTION -CC



**PLAN
DETAIL OF FOUNDATION**



SECTION AT 2-2



**PLAN
I.C. DETAILS**

STRUCTURE DETAIL