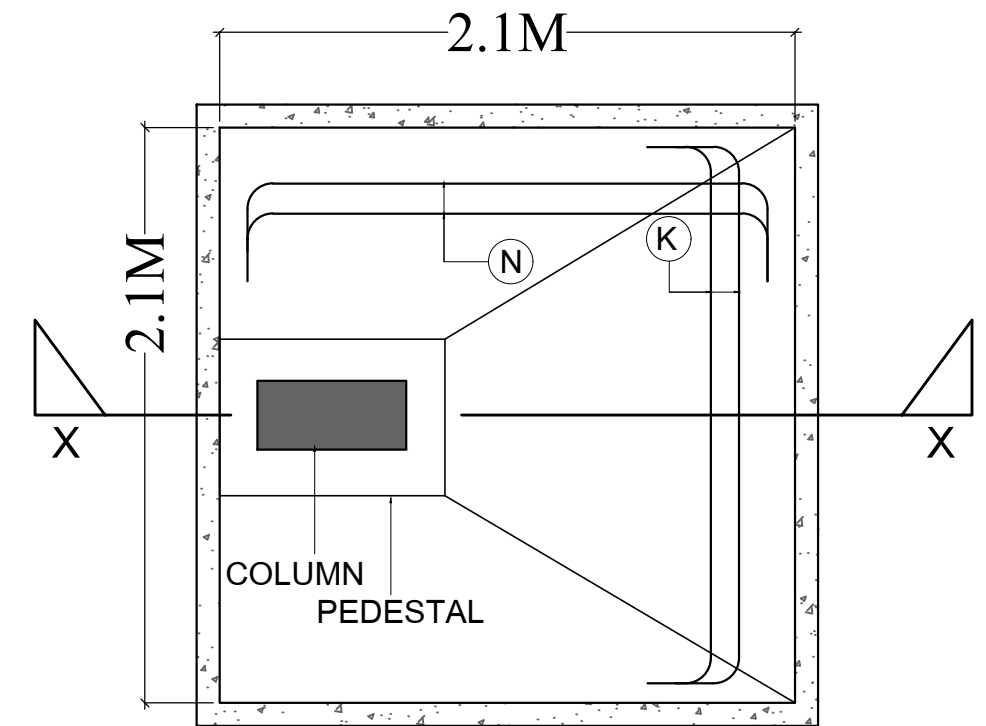
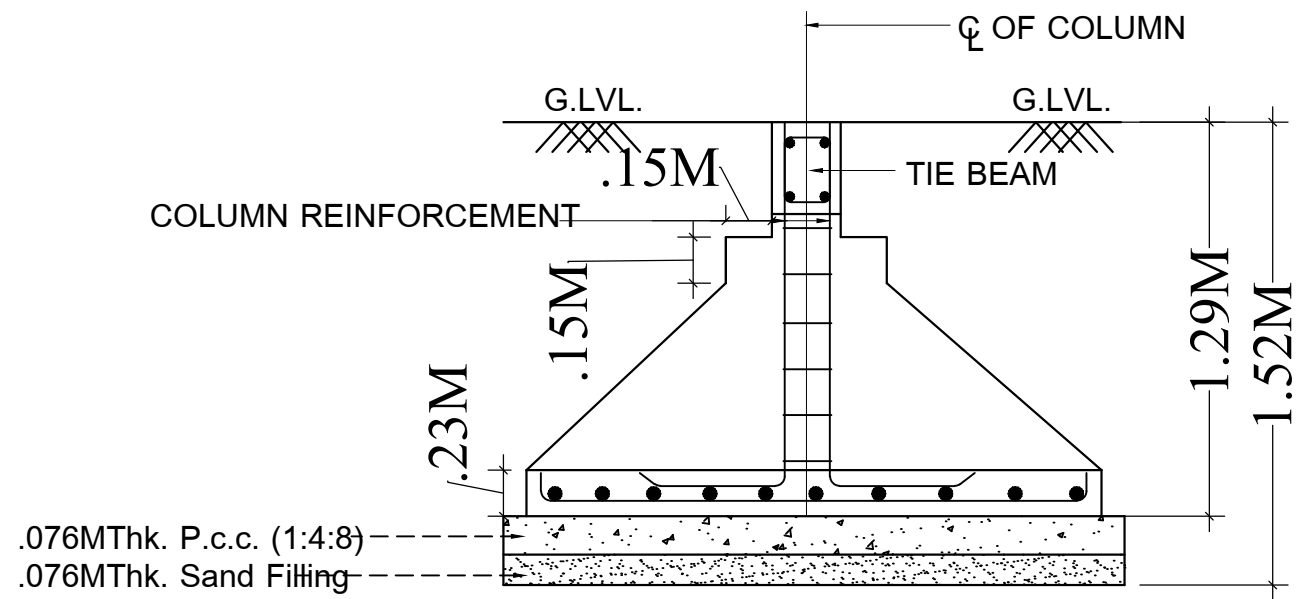


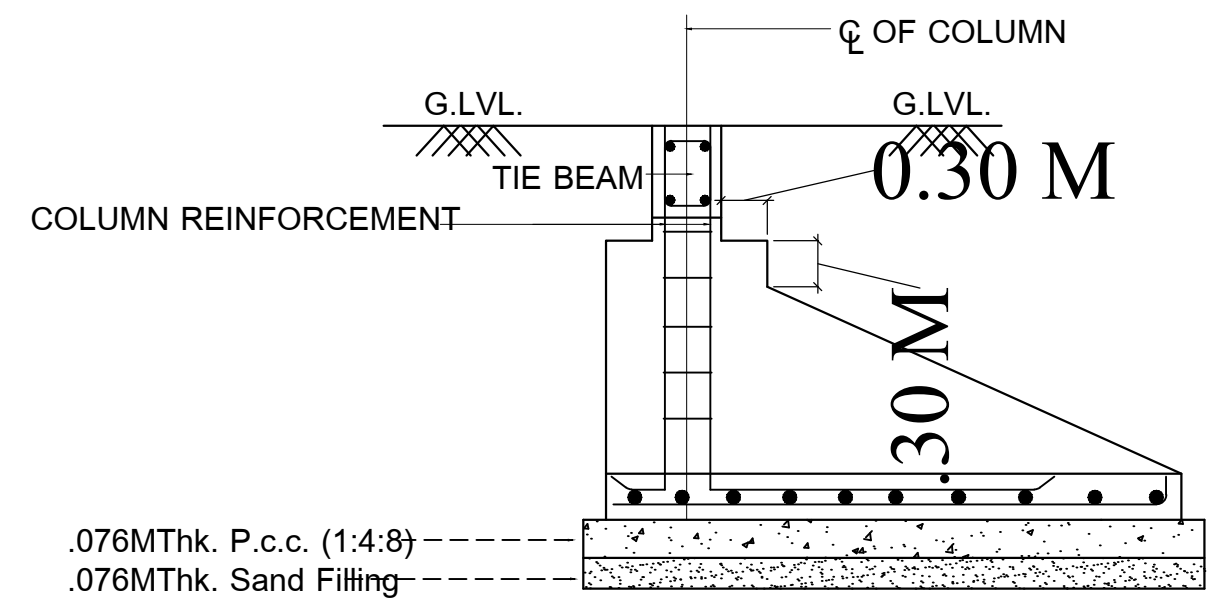
PLAN OF ISOLATED FOOTING (TYP F1)



PLAN OF ISOLATED FOOTING (TYP F1)



SECTION OF ISOLATED FOOTING (SECTION X-X)



SECTION OF ISOLATED FOOTING (SECTION X-X)