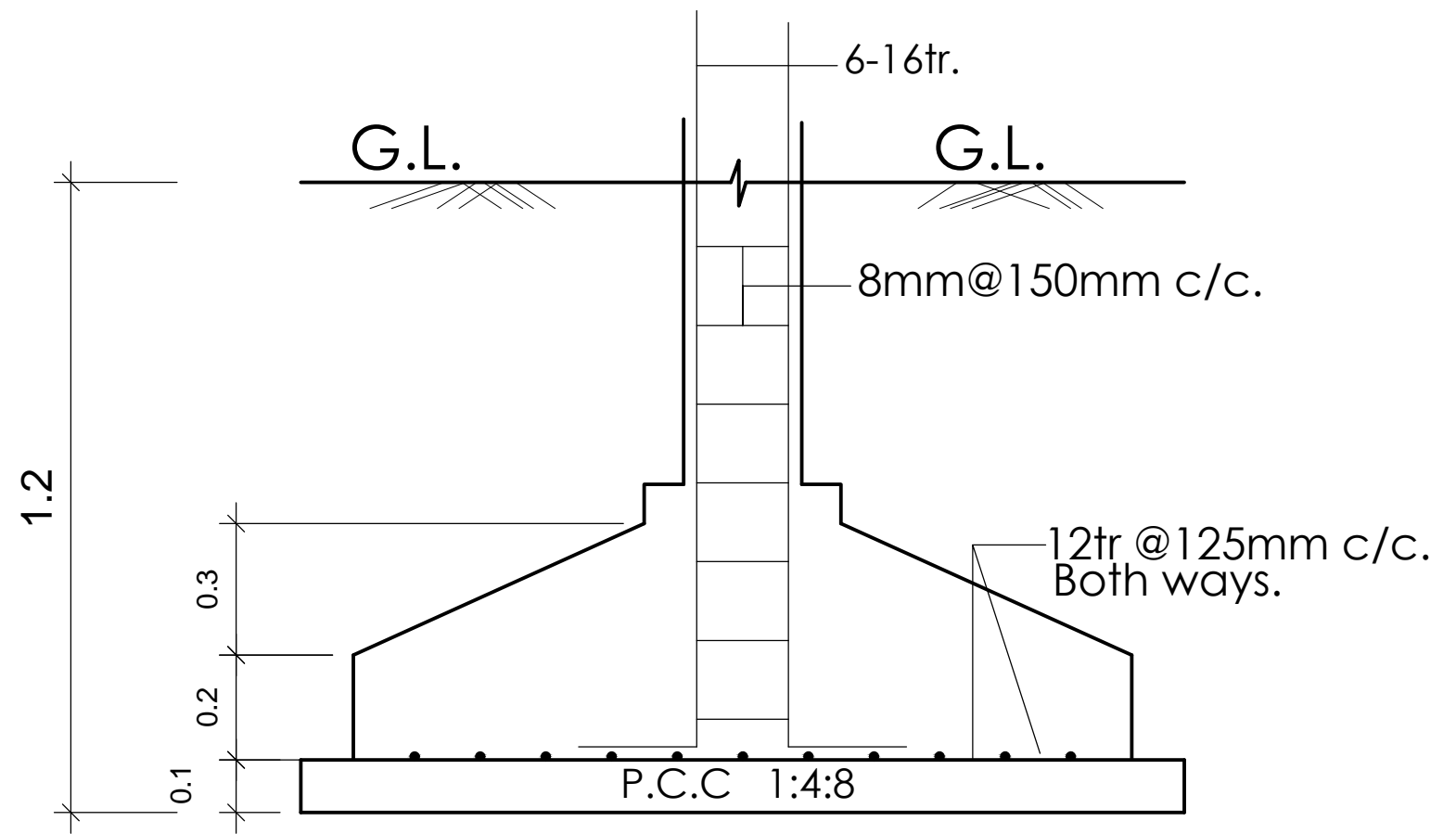


**DETAIL OF FOOTING**  
Not to Scale



**SECTION ON = X-X**