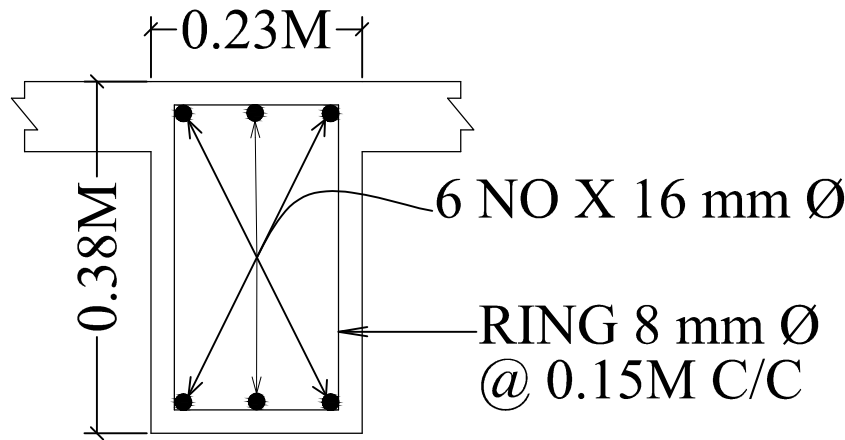
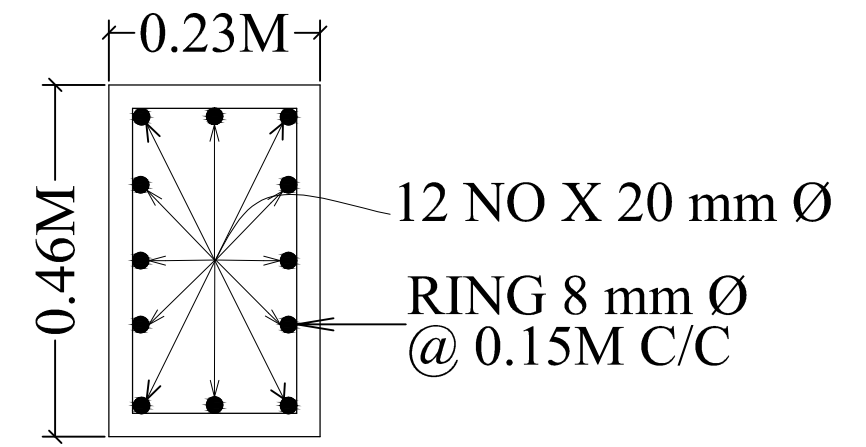


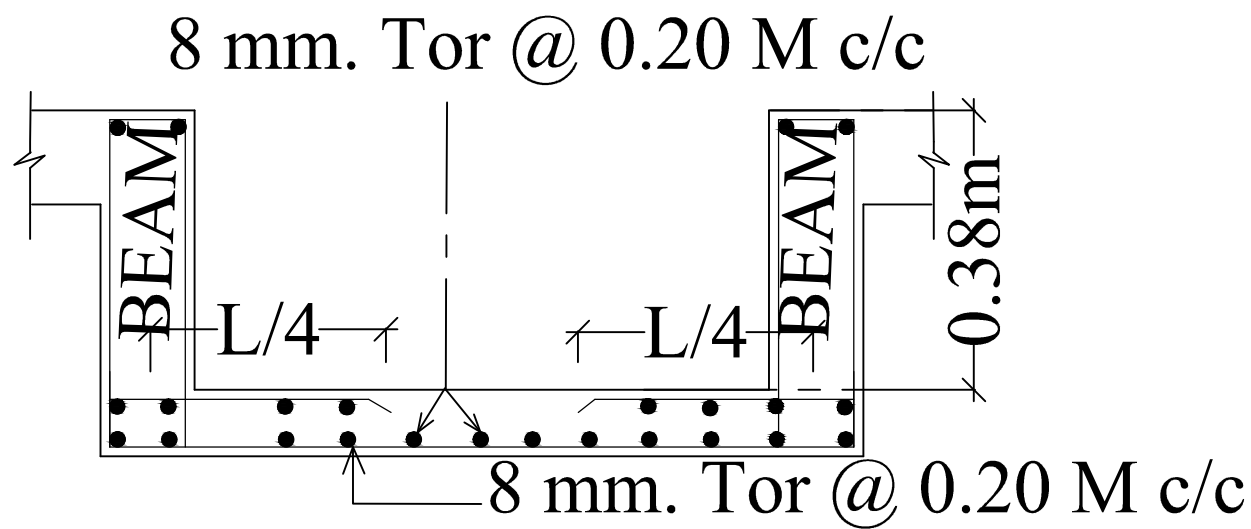
SECTION OF TYPICAL FLOOR BEAM



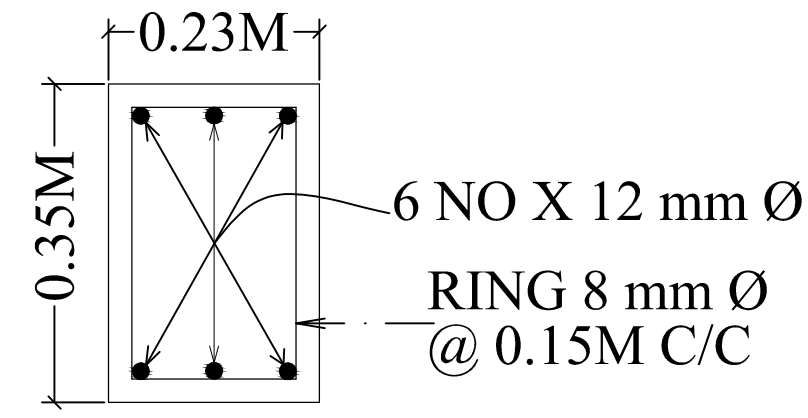
C.S. OF ROOF BEAM
SIZE - 0.23M X 0.38M



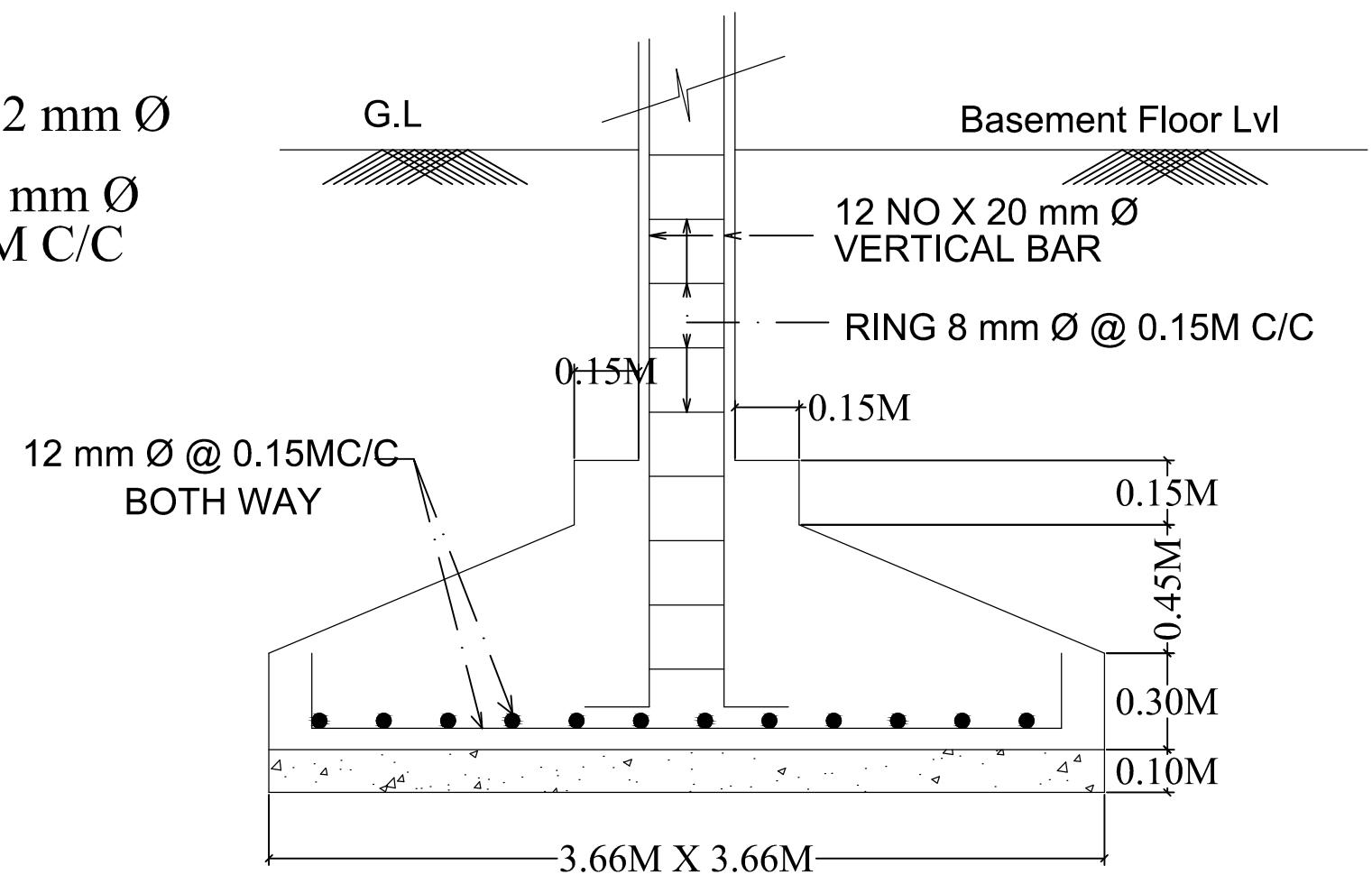
C.S. OF COLUMN .
SIZE - 0.23M X 0.46M



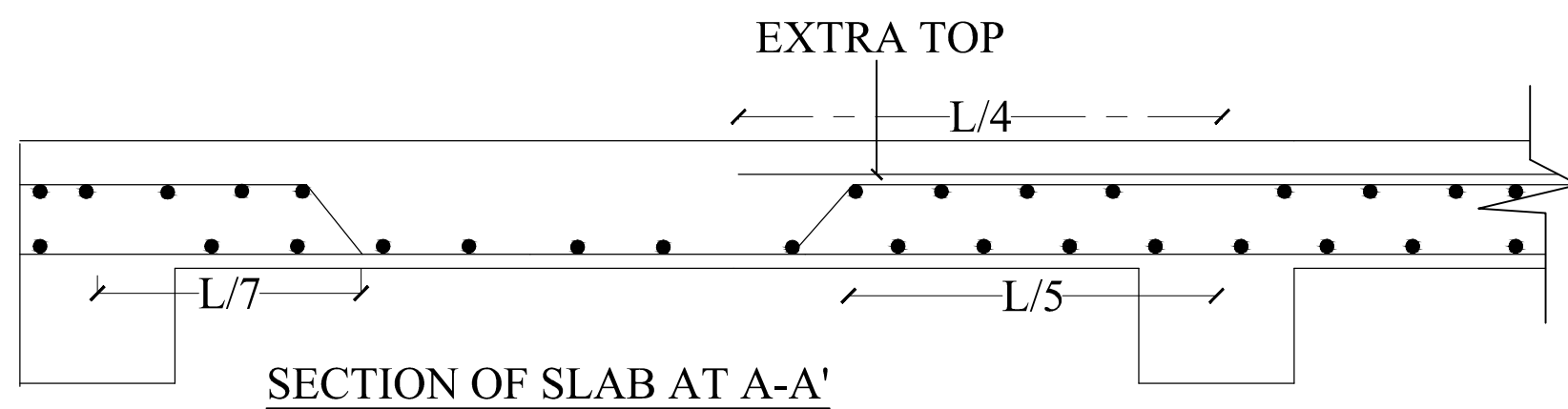
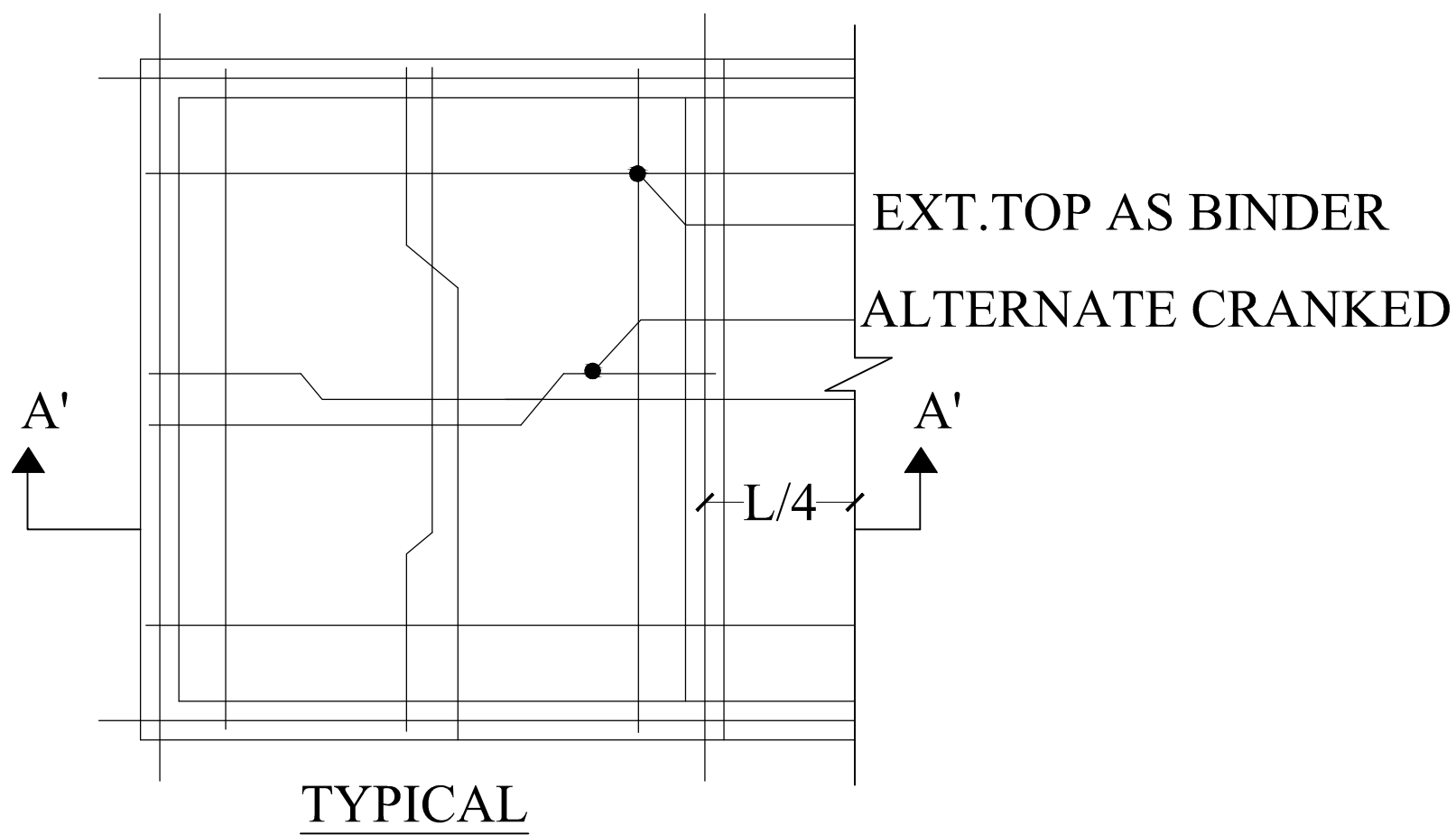
THICKNESS OF SLAB = 0.11m



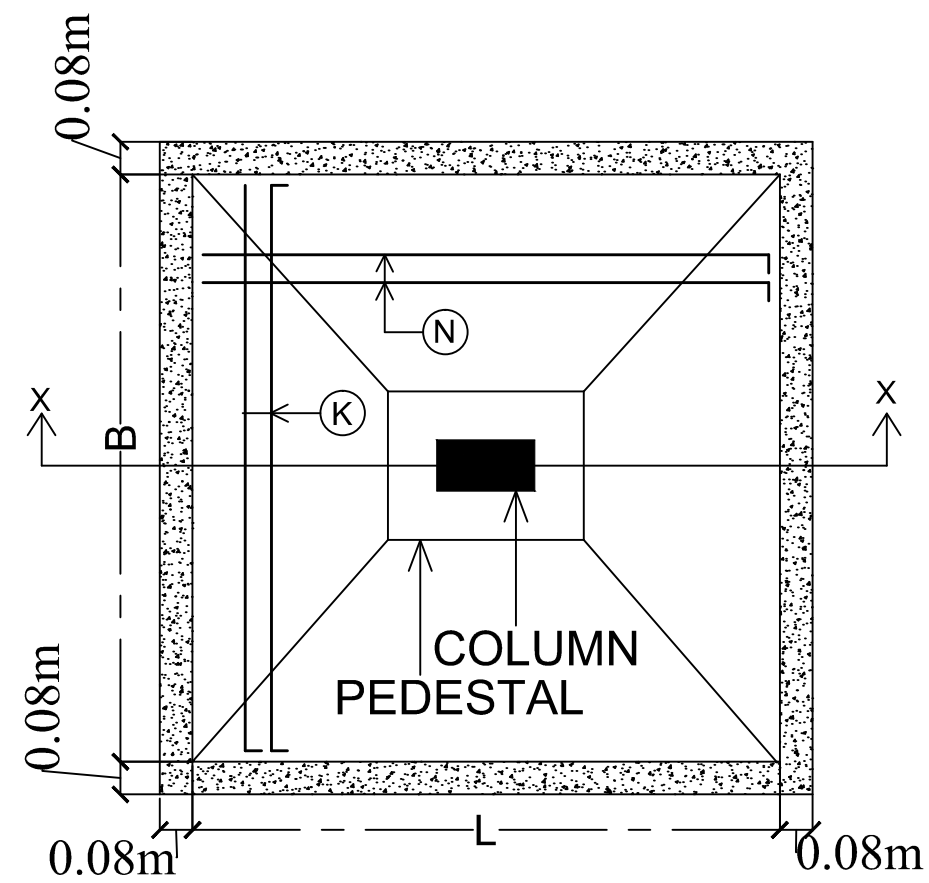
C.S. OF TIE BEAM
SIZE - 0.23M X 0.35M



SECTION OF FOOTING .
SIZE - 3.66M X 3.66M



SECTION OF SLAB AT A-A'



PLAN OF ISOLATED FOOTING

Structure Detail NOTE:- STRUCTURAL DETAIL MAY CHANGE AS PER DESIGN.