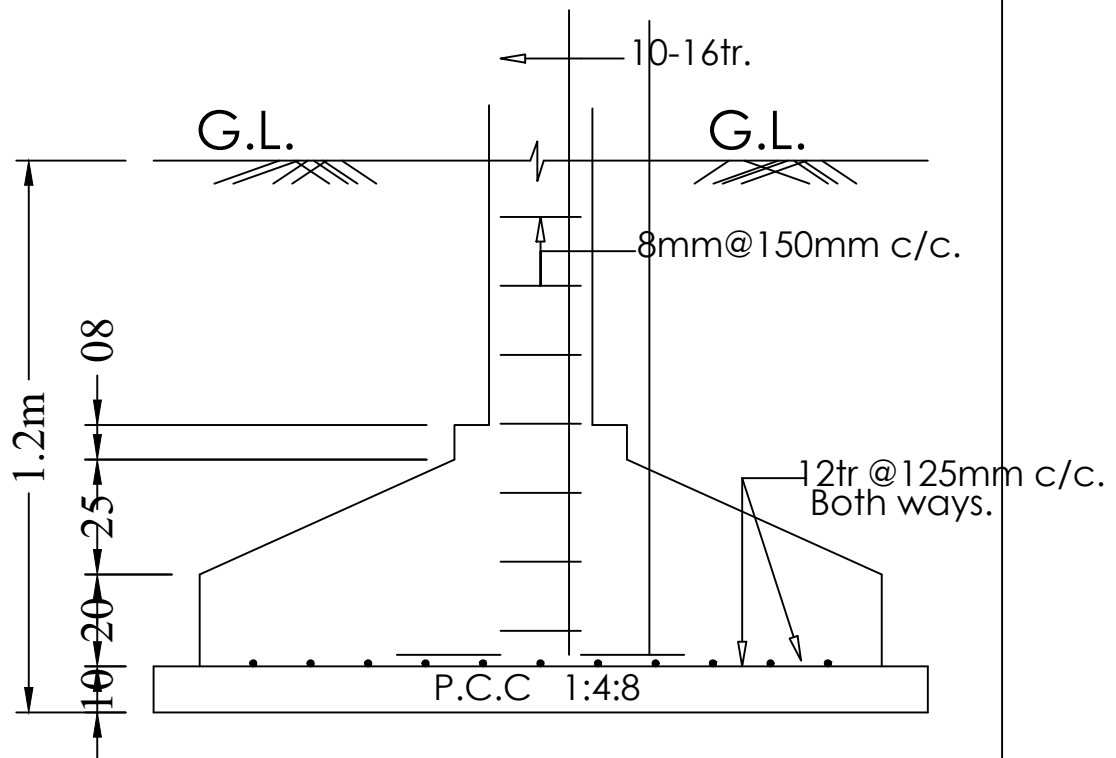


## DETAIL OF FOOTING



Structure Detail **SECTION ON = X-X**