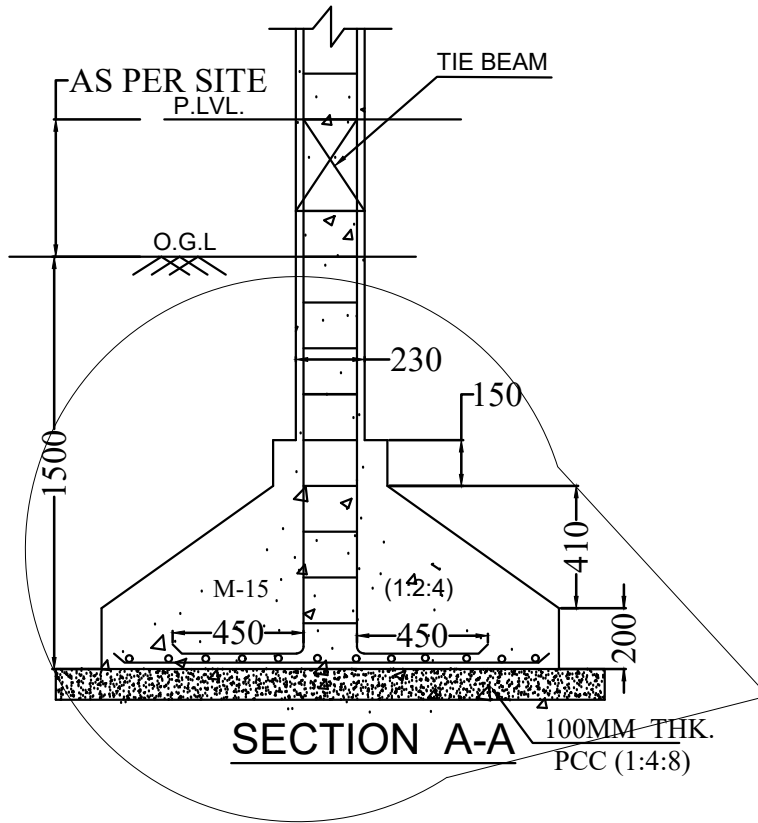
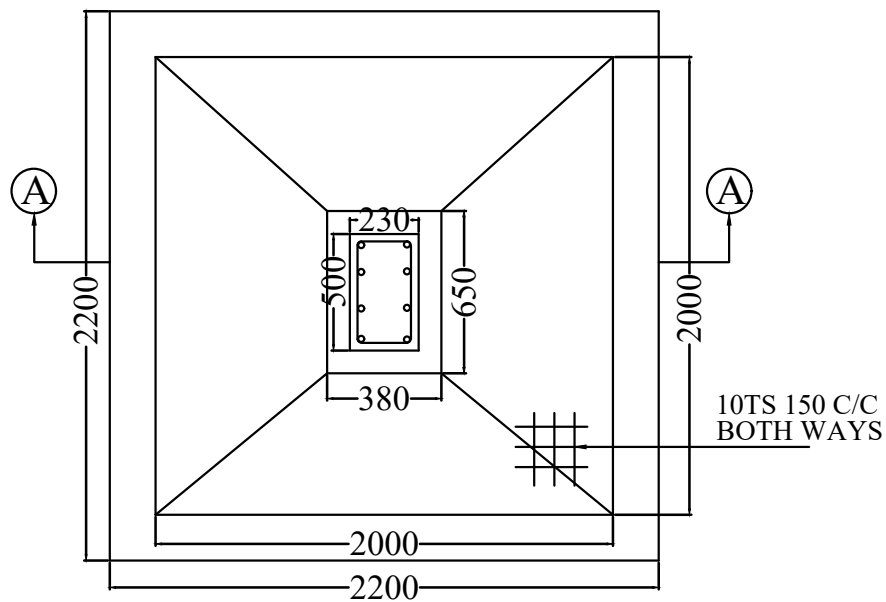


C/S OF COL.



SECTION A-A



PLAN

FOOTING PLAN (AS PER DESIGN)
SCALE: N.T.S.

Structure Detail