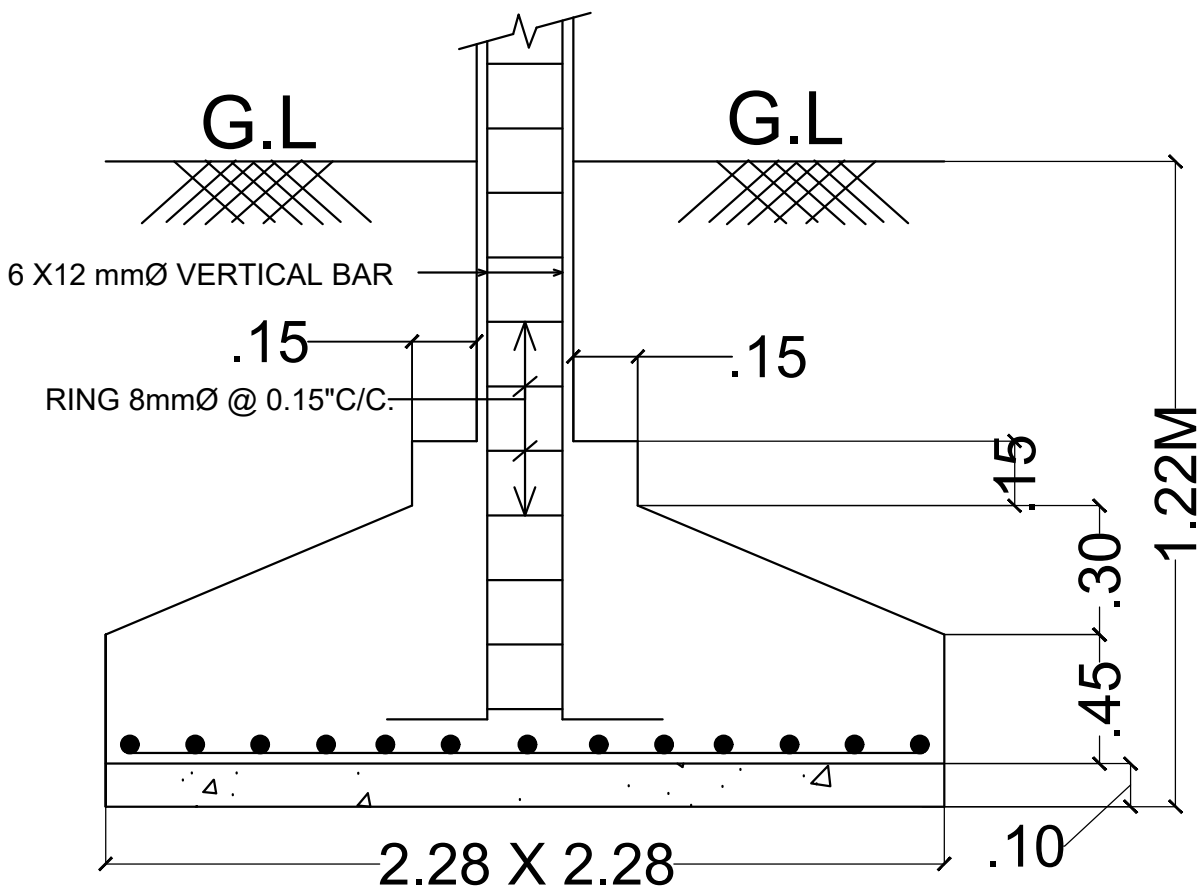


SECTION OF COLUMN.



SECTION OF FOOTING

Structure Detail