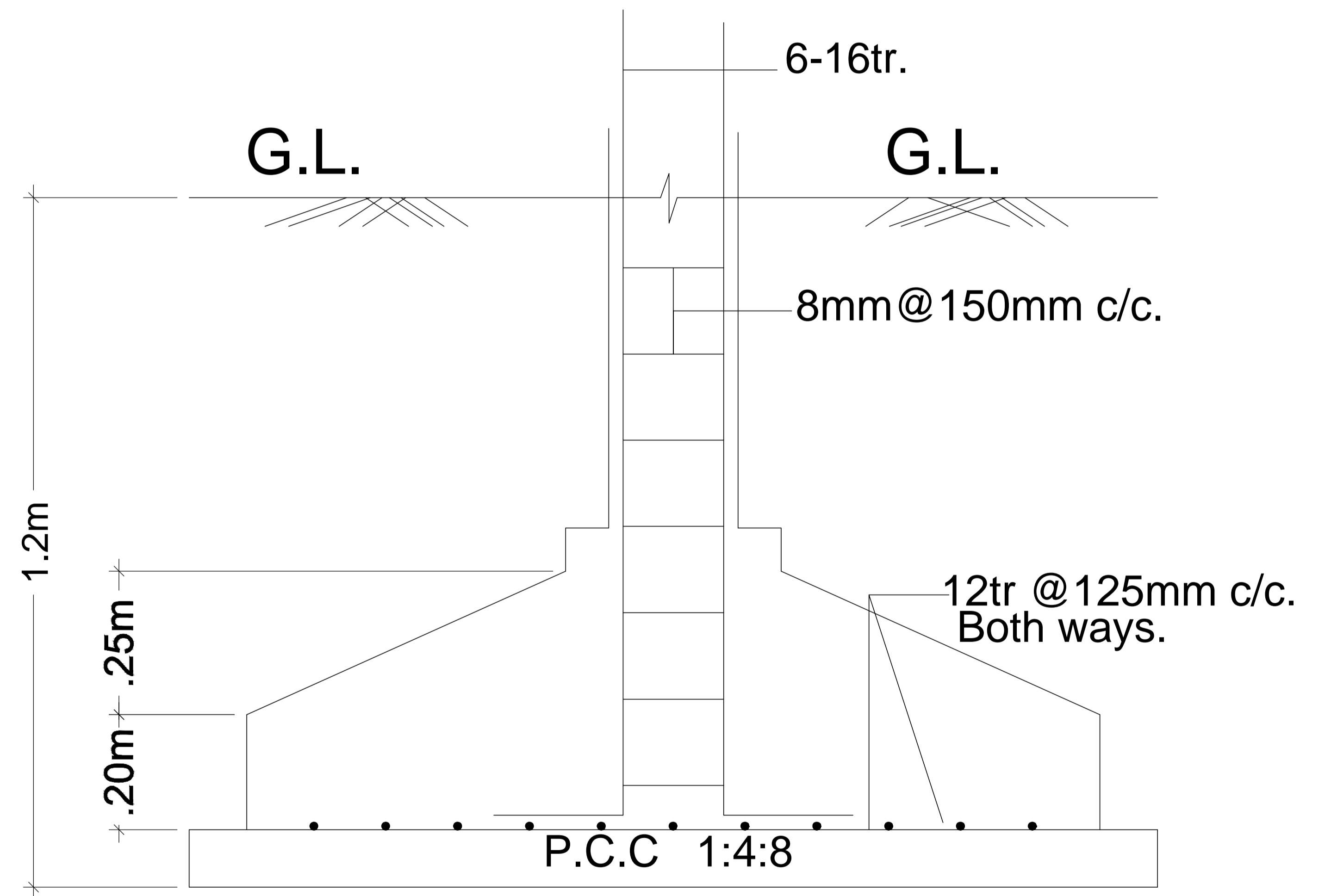


DETAIL OF FOOTING

(Not to Scale)



SECTION ON = X-X

DETAIL OF FOOTING

(Not to Scale)