

Proposed File No.	JANCAW0118110202
Owner Name	JANMEDEPUR NAC, SAKCHI, JAMSHEDPUR
Plot No	Block No. 011, 012, 013 TO 016, 017 TO 020, 021, 022 TO 025, 026 TO 029, 030 TO 033, 034 TO 037, 038 TO 041, 042, 043, 044, 045, 046, 047, 048, 049, 050, 051, 052, 053, 054, 055, 056, 057, 058, 059, 060, 061, 062, 063, 064, 065, 066, 067, 068, 069, 070, 071, 072, 073, 074, 075, 076, 077, 078, 079, 080, 081, 082, 083, 084, 085, 086, 087, 088, 089, 090, 091, 092, 093, 094, 095, 096, 097, 098, 099, 100, 101, 102, 103, 104, 105, 106, 107, 108, 109, 110, 111, 112, 113, 114, 115, 116, 117, 118, 119, 120, 121, 122, 123, 124, 125, 126, 127, 128, 129, 130, 131, 132, 133, 134, 135, 136, 137, 138, 139, 140, 141, 142, 143, 144, 145, 146, 147, 148, 149, 150, 151, 152, 153, 154, 155, 156, 157, 158, 159, 160, 161, 162, 163, 164, 165, 166, 167, 168, 169, 170, 171, 172, 173, 174, 175, 176, 177, 178, 179, 180, 181, 182, 183, 184, 185, 186, 187, 188, 189, 190, 191, 192, 193, 194, 195, 196, 197, 198, 199, 200, 201, 202, 203, 204, 205, 206, 207, 208, 209, 210, 211, 212, 213, 214, 215, 216, 217, 218, 219, 220, 221, 222, 223, 224, 225, 226, 227, 228, 229, 230, 231, 232, 233, 234, 235, 236, 237, 238, 239, 240, 241, 242, 243, 244, 245, 246, 247, 248, 249, 250, 251, 252, 253, 254, 255, 256, 257, 258, 259, 260, 261, 262, 263, 264, 265, 266, 267, 268, 269, 270, 271, 272, 273, 274, 275, 276, 277, 278, 279, 280, 281, 282, 283, 284, 285, 286, 287, 288, 289, 290, 291, 292, 293, 294, 295, 296, 297, 298, 299, 300, 301, 302, 303, 304, 305, 306, 307, 308, 309, 310, 311, 312, 313, 314, 315, 316, 317, 318, 319, 320, 321, 322, 323, 324, 325, 326, 327, 328, 329, 330, 331, 332, 333, 334, 335, 336, 337, 338, 339, 340, 341, 342, 343, 344, 345, 346, 347, 348, 349, 350, 351, 352, 353, 354, 355, 356, 357, 358, 359, 360, 361, 362, 363, 364, 365, 366, 367, 368, 369, 370, 371, 372, 373, 374, 375, 376, 377, 378, 379, 380, 381, 382, 383, 384, 385, 386, 387, 388, 389, 390, 391, 392, 393, 394, 395, 396, 397, 398, 399, 400, 401, 402, 403, 404, 405, 406, 407, 408, 409, 410, 411, 412, 413, 414, 415, 416, 417, 418, 419, 420, 421, 422, 423, 424, 425, 426, 427, 428, 429, 430, 431, 432, 433, 434, 435, 436, 437, 438, 439, 440, 441, 442, 443, 444, 445, 446, 447, 448, 449, 450, 451, 452, 453, 454, 455, 456, 457, 458, 459, 460, 461, 462, 463, 464, 465, 466, 467, 468, 469, 470, 471, 472, 473, 474, 475, 476, 477, 478, 479, 480, 481, 482, 483, 484, 485, 486, 487, 488, 489, 490, 491, 492, 493, 494, 495, 496, 497, 498, 499, 500, 501, 502, 503, 504, 505, 506, 507, 508, 509, 510, 511, 512, 513, 514, 515, 516, 517, 518, 519, 520, 521, 522, 523, 524, 525, 526, 527, 528, 529, 530, 531, 532, 533, 534, 535, 536, 537, 538, 539, 540, 541, 542, 543, 544, 545, 546, 547, 548, 549, 550, 551, 552, 553, 554, 555, 556, 557, 558, 559, 560, 561, 562, 563, 564, 565, 566, 567, 568, 569, 570, 571, 572, 573, 574, 575, 576, 577, 578, 579, 580, 581, 582, 583, 584, 585, 586, 587, 588, 589, 590, 591, 592, 593, 594, 595, 596, 597, 598, 599, 600, 601, 602, 603, 604, 605, 606, 607, 608, 609, 610, 611, 612, 613, 614, 615, 616, 617, 618, 619, 620, 621, 622, 623, 624, 625, 626, 627, 628, 629, 630, 631, 632, 633, 634, 635, 636, 637, 638, 639, 640, 641, 642, 643, 644, 645, 646, 647, 648, 649, 650, 651, 652, 653, 654, 655, 656, 657, 658, 659, 660, 661, 662, 663, 664, 665, 666, 667, 668, 669, 670, 671, 672, 673, 674, 675, 676, 677, 678, 679, 680, 681, 682, 683, 684, 685, 686, 687, 688, 689, 690, 691, 692, 693, 694, 695, 696, 697, 698, 699, 700, 701, 702, 703, 704, 705, 706, 707, 708, 709, 710, 711, 712, 713, 714, 715, 716, 717, 718, 719, 720, 721, 722, 723, 724, 725, 726, 727, 728, 729, 730, 731, 732, 733, 734, 735, 736, 737, 738, 739, 740, 741, 742, 743, 744, 745, 746, 747, 748, 749, 750, 751, 752, 753, 754, 755, 756, 757, 758, 759, 760, 761, 762, 763, 764, 765, 766, 767, 768, 769, 770, 771, 772, 773, 774, 775, 776, 777, 778, 779, 780, 781, 782, 783, 784, 785, 786, 787, 788, 789, 790, 791, 792, 793, 794, 795, 796, 797, 798, 799, 800, 801, 802, 803, 804, 805, 806, 807, 808, 809, 810, 811, 812, 813, 814, 815, 816, 817, 818, 819, 820, 821, 822, 823, 824, 825, 826, 827, 828, 829, 830, 831, 832, 833, 834, 835, 836, 837, 838, 839, 840, 841, 842, 843, 844, 845, 846, 847, 848, 849, 850, 851, 852, 853, 854, 855, 856, 857, 858, 859, 860, 861, 862, 863, 864, 865, 866, 867, 868, 869, 870, 871, 872, 873, 874, 875, 876, 877, 878, 879, 880, 881, 882, 883, 884, 885, 886, 887, 888, 889, 890, 891, 892, 893, 894, 895, 896, 897, 898, 899, 900, 901, 902, 903, 904, 905, 906, 907, 908, 909, 910, 911, 912, 913, 914, 915, 916, 917, 918, 919, 920, 921, 922, 923, 924, 925, 926, 927, 928, 929, 930, 931, 932, 933, 934, 935, 936, 937, 938, 939, 940, 941, 942, 943, 944, 945, 946, 947, 948, 949, 950, 951, 952, 953, 954, 955, 956, 957, 958, 959, 960, 961, 962, 963, 964, 965, 966, 967, 968, 969, 970, 971, 972, 973, 974, 975, 976, 977, 978, 979, 980, 981, 982, 983, 984, 985, 986, 987, 988, 989, 990, 991, 992, 993, 994, 995, 996, 997, 998, 999, 1000
Village Name	SAKCHI
Use	Residential
Section	EWS-Economay/Welfare Section



ELEVATION - A
(TYPE-I BUILDINGS)



ELEVATION - B
(TYPE-I BUILDINGS)

Building -A (A)

Floor Name	Total Built Up Area (Sq.M)	Total Floor Area (Sq.M)	Total Plinth Area (Sq.M)	Total No.	Carpet Area (Sq.M)
Ground Floor	1557.00	1557.00	1557.00	36	1318.80
1st Floor	1557.00	1557.00	1557.00	36	1318.80
2nd Floor	1557.00	1557.00	1557.00	36	1318.80
3rd Floor	1557.00	1557.00	1557.00	36	1318.80
4th Floor	1557.00	1557.00	1557.00	36	1318.80
5th Floor	1557.00	1557.00	1557.00	36	1318.80
6th Floor	1557.00	1557.00	1557.00	36	1318.80
7th Floor	1557.00	1557.00	1557.00	36	1318.80
8th Floor	1557.00	1557.00	1557.00	36	1318.80
9th Floor	1557.00	1557.00	1557.00	36	1318.80
10th Floor	1557.00	1557.00	1557.00	36	1318.80
Total	15570.00	15570.00	15570.00	360	13188.00

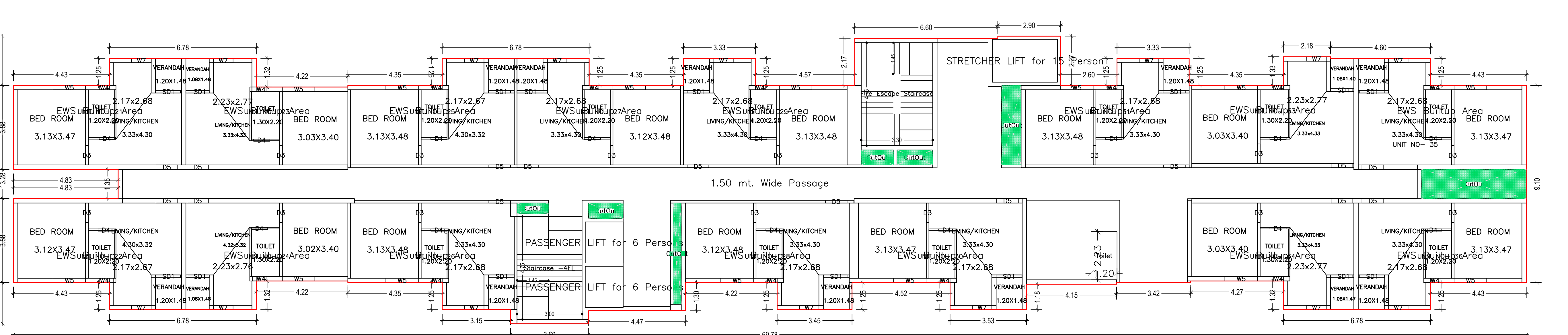
SCHEDULE OF DOOR:

DOOR NAME	NAME	LENGTH	HEIGHT	NO.
A1	01	1.75	2.00	306
A1	02	1.80	2.00	33
A1	03	1.80	2.00	33
A1	04	1.80	2.00	33
A1	05	1.80	2.00	33
A1	06	1.80	2.00	33
A1	07	1.80	2.00	33
A1	08	1.80	2.00	33
A1	09	1.80	2.00	33
A1	10	1.80	2.00	33
A1	11	1.80	2.00	33
A1	12	1.80	2.00	33
A1	13	1.80	2.00	33
A1	14	1.80	2.00	33
A1	15	1.80	2.00	33
A1	16	1.80	2.00	33
A1	17	1.80	2.00	33
A1	18	1.80	2.00	33
A1	19	1.80	2.00	33
A1	20	1.80	2.00	33
A1	21	1.80	2.00	33
A1	22	1.80	2.00	33
A1	23	1.80	2.00	33
A1	24	1.80	2.00	33
A1	25	1.80	2.00	33
A1	26	1.80	2.00	33
A1	27	1.80	2.00	33
A1	28	1.80	2.00	33
A1	29	1.80	2.00	33
A1	30	1.80	2.00	33
A1	31	1.80	2.00	33
A1	32	1.80	2.00	33
A1	33	1.80	2.00	33
A1	34	1.80	2.00	33
A1	35	1.80	2.00	33
A1	36	1.80	2.00	33
A1	37	1.80	2.00	33
A1	38	1.80	2.00	33
A1	39	1.80	2.00	33
A1	40	1.80	2.00	33
A1	41	1.80	2.00	33
A1	42	1.80	2.00	33
A1	43	1.80	2.00	33
A1	44	1.80	2.00	33
A1	45	1.80	2.00	33
A1	46	1.80	2.00	33
A1	47	1.80	2.00	33
A1	48	1.80	2.00	33
A1	49	1.80	2.00	33
A1	50	1.80	2.00	33
A1	51	1.80	2.00	33
A1	52	1.80	2.00	33
A1	53	1.80	2.00	33
A1	54	1.80	2.00	33
A1	55	1.80	2.00	33
A1	56	1.80	2.00	33
A1	57	1.80	2.00	33
A1	58	1.80	2.00	33
A1	59	1.80	2.00	33
A1	60	1.80	2.00	33
A1	61	1.80	2.00	33
A1	62	1.80	2.00	33
A1	63	1.80	2.00	33
A1	64	1.80	2.00	33
A1	65	1.80	2.00	33
A1	66	1.80	2.00	33
A1	67	1.80	2.00	33
A1	68	1.80	2.00	33
A1	69	1.80	2.00	33
A1	70	1.80	2.00	33
A1	71	1.80	2.00	33
A1	72	1.80	2.00	33
A1	73	1.80	2.00	33
A1	74	1.80	2.00	33
A1	75	1.80	2.00	33
A1	76	1.80	2.00	33
A1	77	1.80	2.00	33
A1	78	1.80	2.00	33
A1	79	1.80	2.00	33
A1	80	1.80	2.00	33
A1	81	1.80	2.00	33
A1	82	1.80	2.00	33
A1	83	1.80	2.00	33
A1	84	1.80	2.00	33
A1	85	1.80	2.00	33
A1	86	1.80	2.00	33
A1	87	1.80	2.00	33
A1	88	1.80	2.00	33
A1	89	1.80	2.00	33
A1	90	1.80	2.00	33
A1	91	1.80	2.00	33
A1	92	1.80	2.00	33
A1	93	1.80	2.00	33
A1	94	1.80	2.00	33
A1	95	1.80	2.00	33
A1	96	1.80	2.00	33
A1	97	1.80	2.00	33
A1	98	1.80	2.00	33
A1	99	1.80	2.00	33
A1	100	1.80	2.00	33

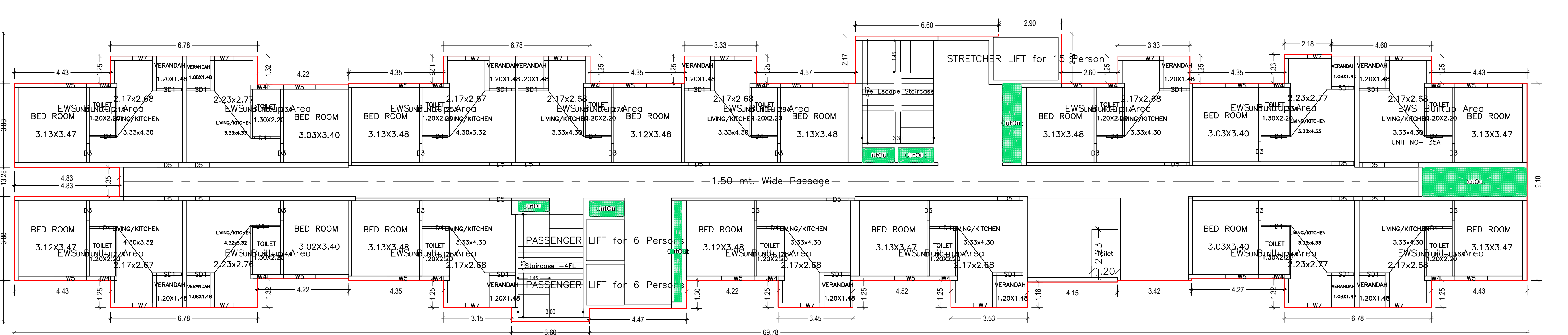
SCHEDULE OF WINDOW/VENTILATION:

WINDOW NAME	NAME	LENGTH	HEIGHT	NO.
A1	W1	1.80	1.20	33
A1	W2	1.80	1.20	33
A1	W3	1.80	1.20	33
A1	W4	1.80	1.20	33
A1	W5	1.80	1.20	33
A1	W6	1.80	1.20	33
A1	W7	1.80	1.20	33
A1	W8	1.80	1.20	33
A1	W9	1.80	1.20	33
A1	W10	1.80	1.20	33
A1	W11	1.80	1.20	33
A1	W12	1.80	1.20	33
A1	W13	1.80	1.20	33
A1				

Proposal No.	JRAMEP/01/M/17/022
Owner Name	JRAMEP/01/M/17/022
Plot No	809, 810, 811, 812, 813, 814, 815, 816, 817, 818, 819, 820, 821, 822, 823, 824, 825, 826, 827, 828, 829, 830, 831, 832, 833, 834, 835, 836, 837, 838, 839, 840, 841, 842, 843, 844, 845, 846, 847, 848, 849, 850, 851, 852, 853, 854, 855, 856, 857, 858, 859, 860, 861, 862, 863, 864, 865, 866, 867, 868, 869, 870, 871, 872, 873, 874, 875, 876, 877, 878, 879, 880, 881, 882, 883, 884, 885, 886, 887, 888, 889, 890, 891, 892, 893, 894, 895, 896, 897, 898, 899, 900, 901, 902, 903, 904, 905, 906, 907, 908, 909, 910, 911, 912, 913, 914, 915, 916, 917, 918, 919, 920, 921, 922, 923, 924, 925, 926, 927, 928, 929, 930, 931, 932, 933, 934, 935, 936, 937, 938, 939, 940, 941, 942, 943, 944, 945, 946, 947, 948, 949, 950, 951, 952, 953, 954, 955, 956, 957, 958, 959, 960, 961, 962, 963, 964, 965, 966, 967, 968, 969, 970, 971, 972, 973, 974, 975, 976, 977, 978, 979, 980, 981, 982, 983, 984, 985, 986, 987, 988, 989, 990, 991, 992, 993, 994, 995, 996, 997, 998, 999, 1000
Uplift Name	SMCH
Use	Residential
Station	EPW/Environment/Health Section



GROUND FLOOR PLAN (SCALE 1:100)



TYPICAL - 1, 2, 3, 4, 5, 6 & 8 FLOOR PLAN (SCALE 1:100)

Building - B (B)

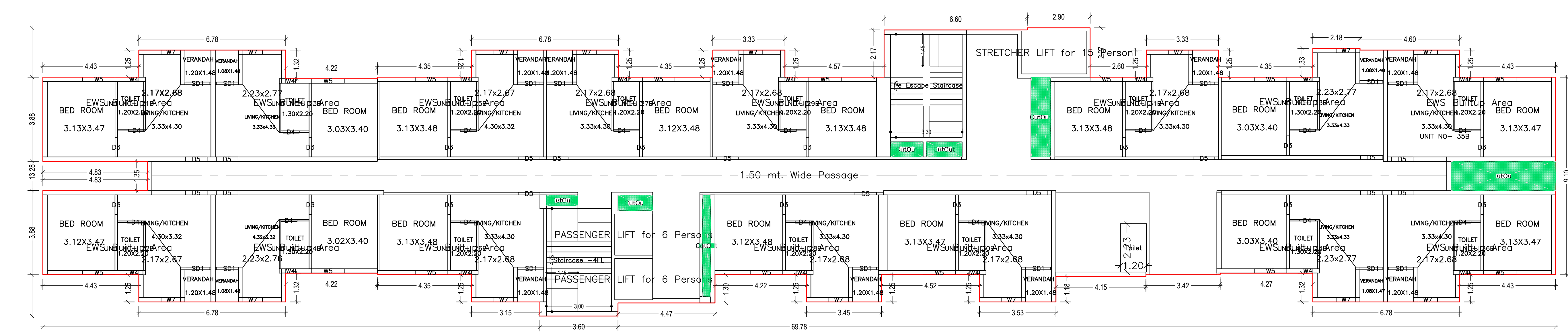
Floor Name	Total Built Up Area (Sq.M)	Total FAR Area (Sq.M)	Total Additional FAR Area (Sq.M)	Floor (No.)	Carpet Area (Sq.M)
Ground Floor	687.75	687.75	687.75	1st	30.38
1st Floor	687.75	687.75	687.75	2nd	232.88
2nd Floor	687.75	687.75	687.75	3rd	232.88
3rd Floor	687.75	687.75	687.75	4th	232.88
4th Floor	687.75	687.75	687.75	5th	232.88
5th Floor	687.75	687.75	687.75	6th	232.88
6th Floor	687.75	687.75	687.75	7th	232.88
7th Floor	687.75	687.75	687.75	8th	232.88
8th Floor	687.75	687.75	687.75	9th	232.88
Total	5502.25	5502.25	5502.25	10th	1945.82
Total Number of Some Building	2				
Total	11004.50	11004.50	11004.50	20th	3891.64

SCHEDULE OF DOOR:

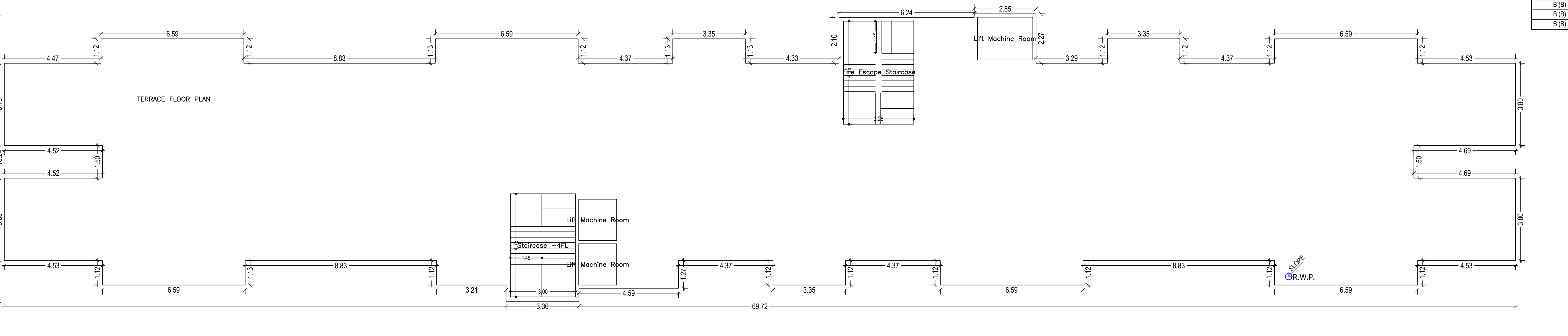
Building Name	Name	LENGTH	HEIGHT	MS
B/B	DR	2.25	2.10	18
B/B	ST	1.80	2.10	18
B/B	OR	1.80	2.10	18
B/B	ENT	1.20	2.10	18
B/B	ENT	1.20	2.10	18
B/B	ENT	1.20	2.10	18
B/B	ENT	1.20	2.10	18
B/B	ENT	1.20	2.10	18
B/B	ENT	1.20	2.10	18
B/B	ENT	1.20	2.10	18

SCHEDULE OF WINDOW/VENTILATION:

Building Name	Name	LENGTH	HEIGHT	MS
B/B	WT	1.80	1.20	18
B/B	WT	1.80	1.20	18
B/B	WT	1.80	1.20	18



SEVENTH FLOOR PLAN (SCALE 1:100)



TERRACE FLOOR PLAN (SCALE 1:100)



SECTION - BB' (TYPE-I BUILDINGS)



SECTION - AA' (TYPE-II BUILDINGS)

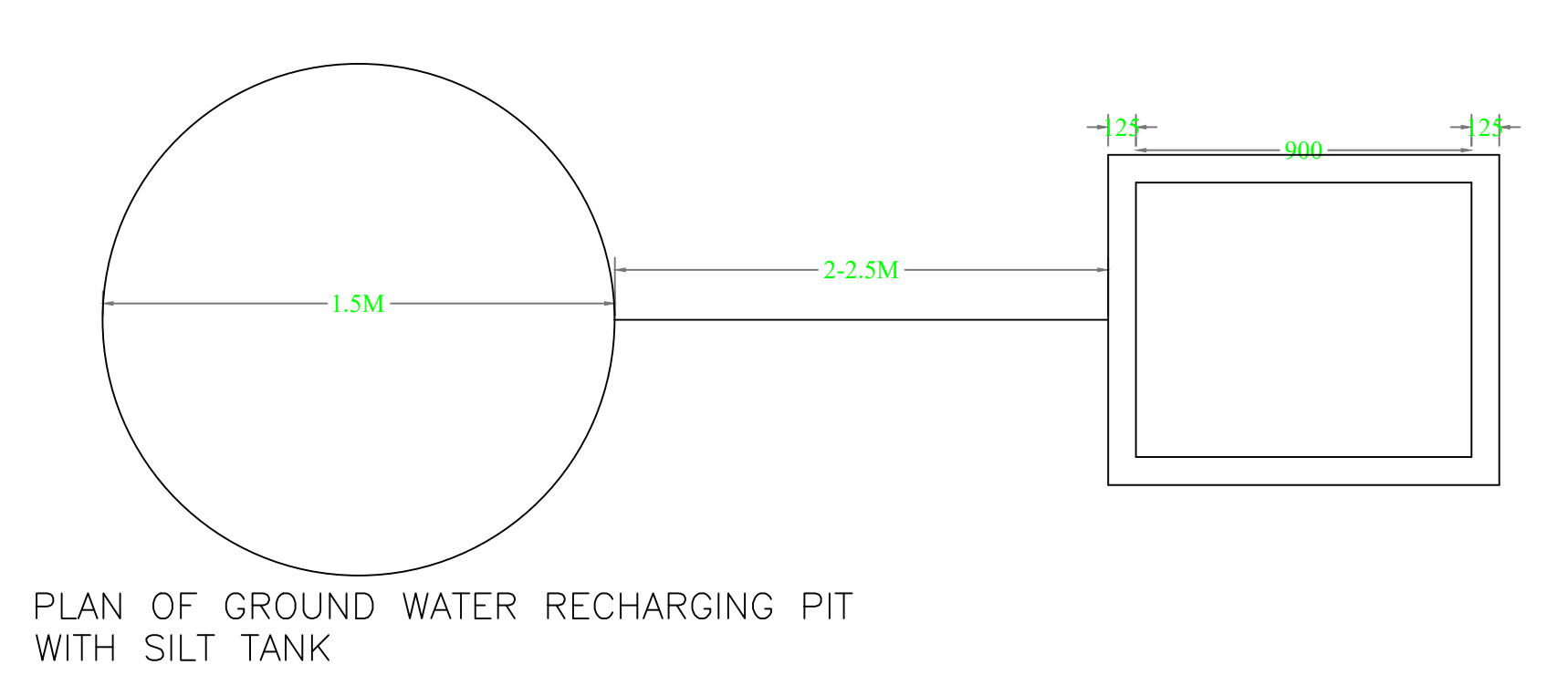
Proposed Basic Information	
Owner Name	JANAKI DEVI NAG SAKCHI, JAMSHEDPUR
Plot No	18
Site No	18/1, 18/2, 18/3, 18/4, 18/5, 18/6, 18/7, 18/8, 18/9, 18/10, 18/11, 18/12, 18/13, 18/14, 18/15, 18/16, 18/17, 18/18, 18/19, 18/20, 18/21, 18/22, 18/23, 18/24, 18/25, 18/26, 18/27, 18/28, 18/29, 18/30, 18/31, 18/32, 18/33, 18/34, 18/35, 18/36, 18/37, 18/38, 18/39, 18/40, 18/41, 18/42, 18/43, 18/44, 18/45, 18/46, 18/47, 18/48, 18/49, 18/50, 18/51, 18/52, 18/53, 18/54, 18/55, 18/56, 18/57, 18/58, 18/59, 18/60, 18/61, 18/62, 18/63, 18/64, 18/65, 18/66, 18/67, 18/68, 18/69, 18/70, 18/71, 18/72, 18/73, 18/74, 18/75, 18/76, 18/77, 18/78, 18/79, 18/80, 18/81, 18/82, 18/83, 18/84, 18/85, 18/86, 18/87, 18/88, 18/89, 18/90, 18/91, 18/92, 18/93, 18/94, 18/95, 18/96, 18/97, 18/98, 18/99, 18/100
Village Name	SAKCHI
Use	Residential
Scale	EMO-Economical/Market Section



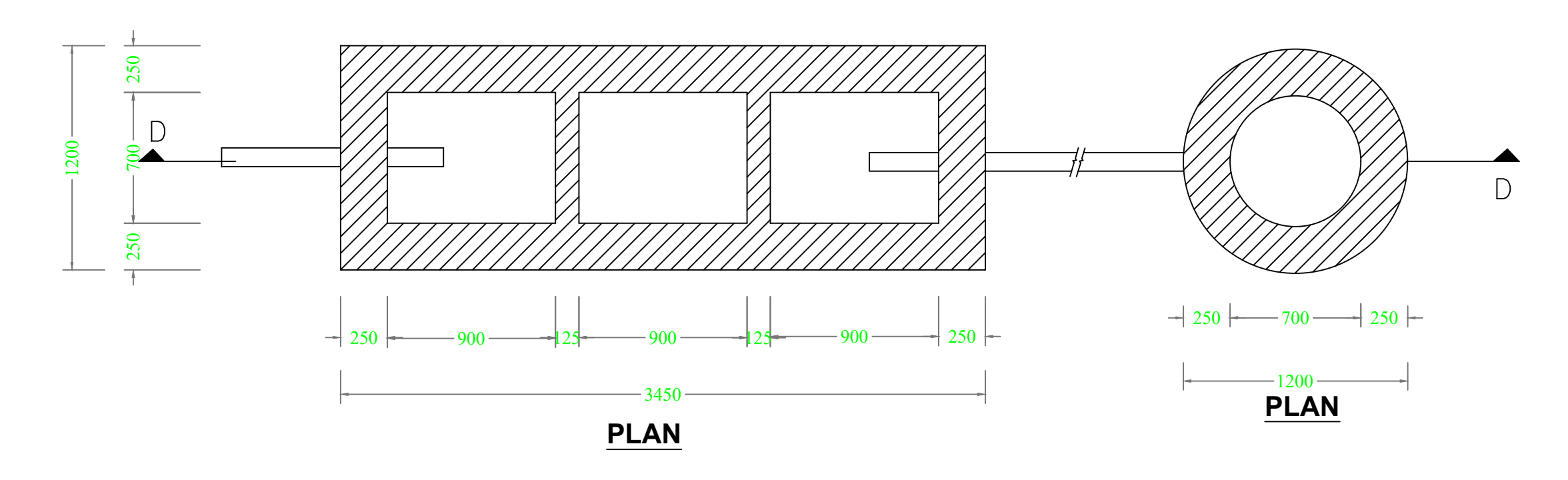
ELEVATION - A
(TYPE-I BUILDINGS)



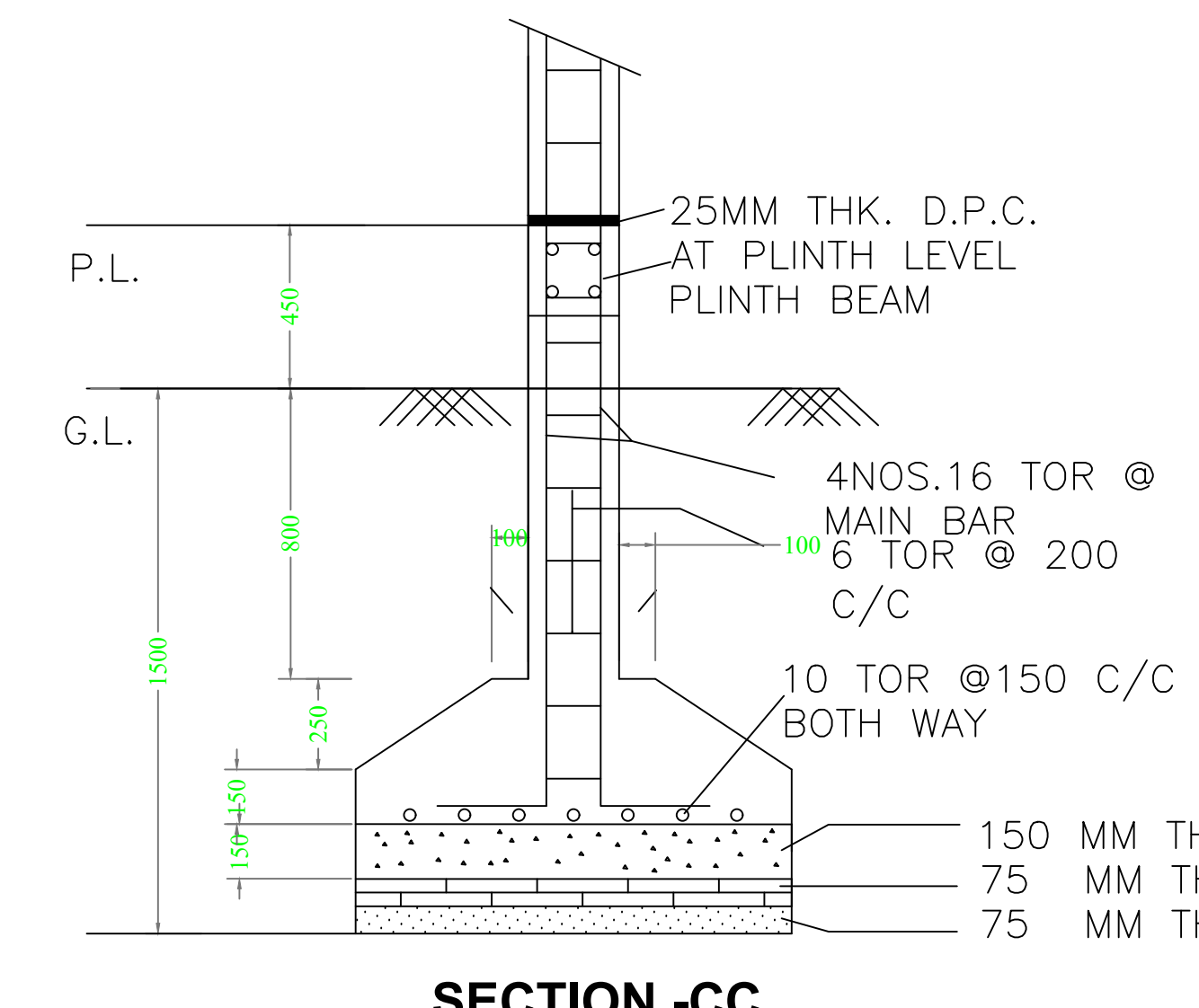
ELEVATION - B



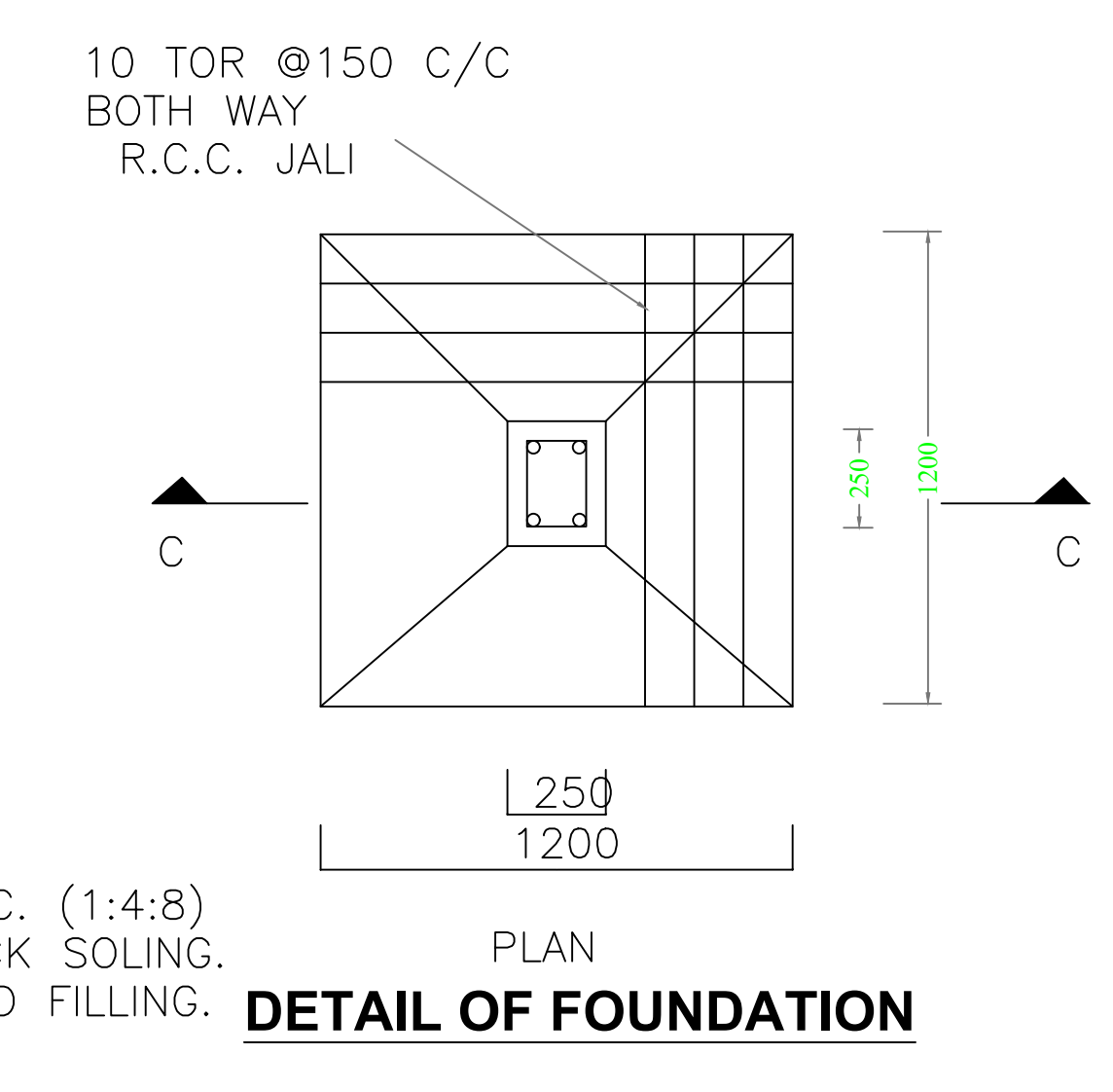
PLAN OF GROUND WATER RECHARGING PIT WITH SILT TANK



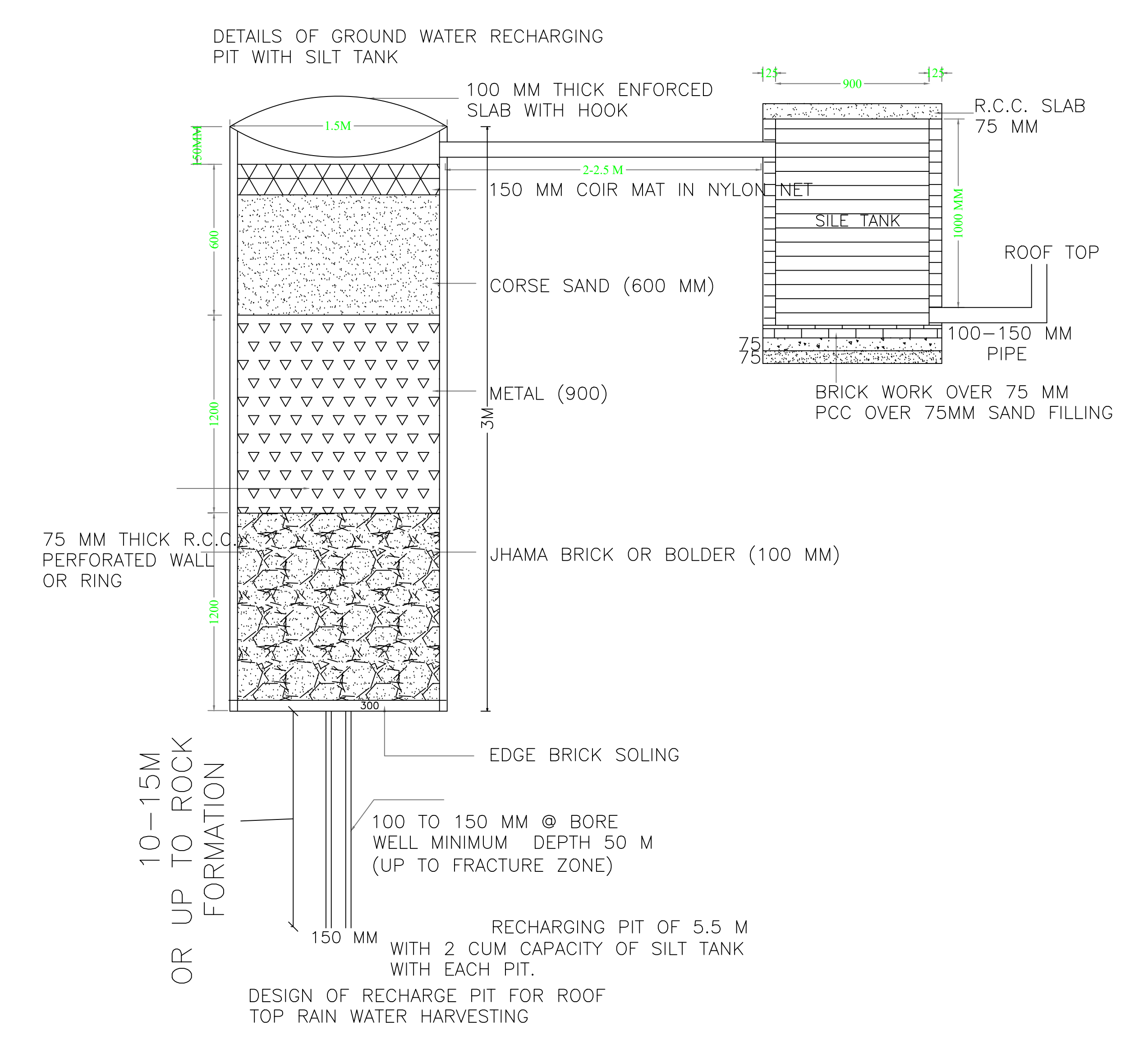
DETAIL OF SEPTIC TANK & SOAKPIT.



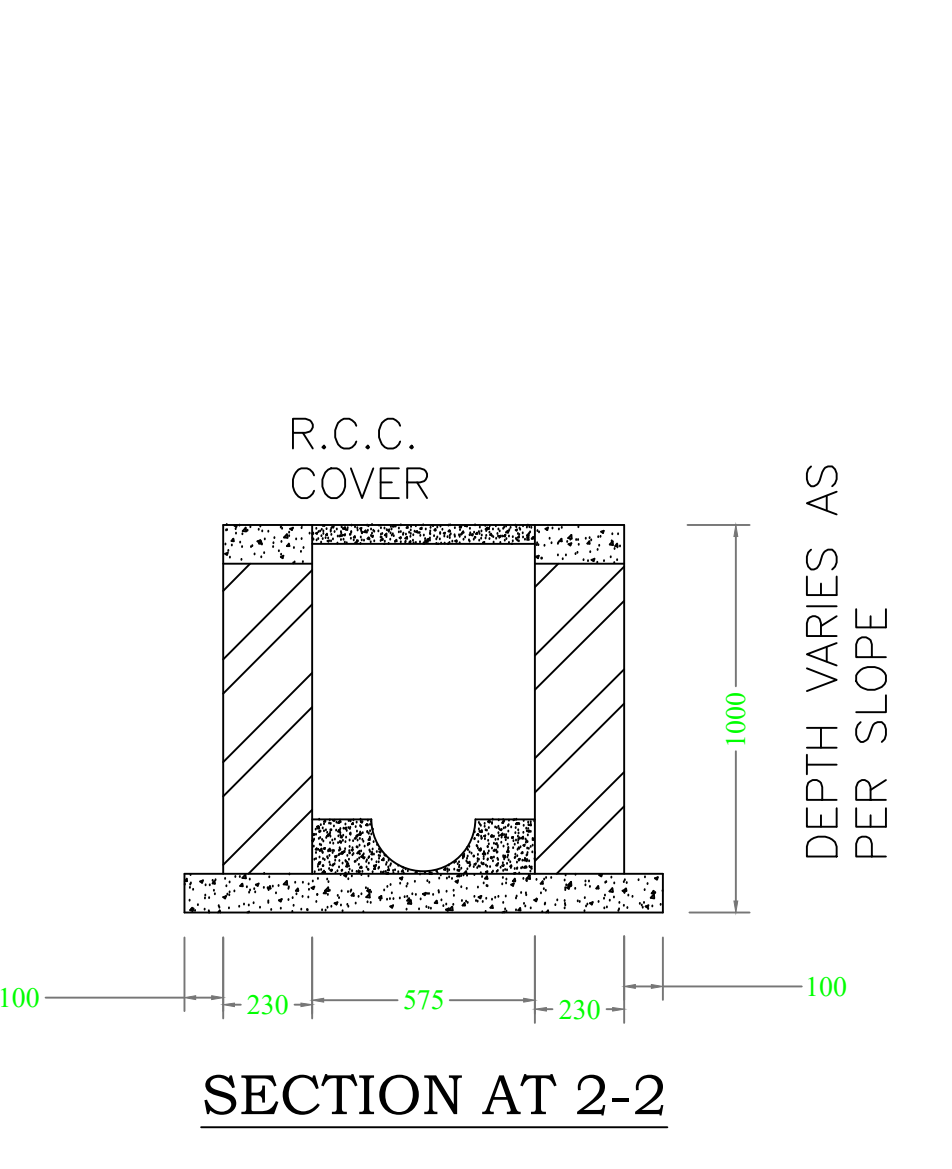
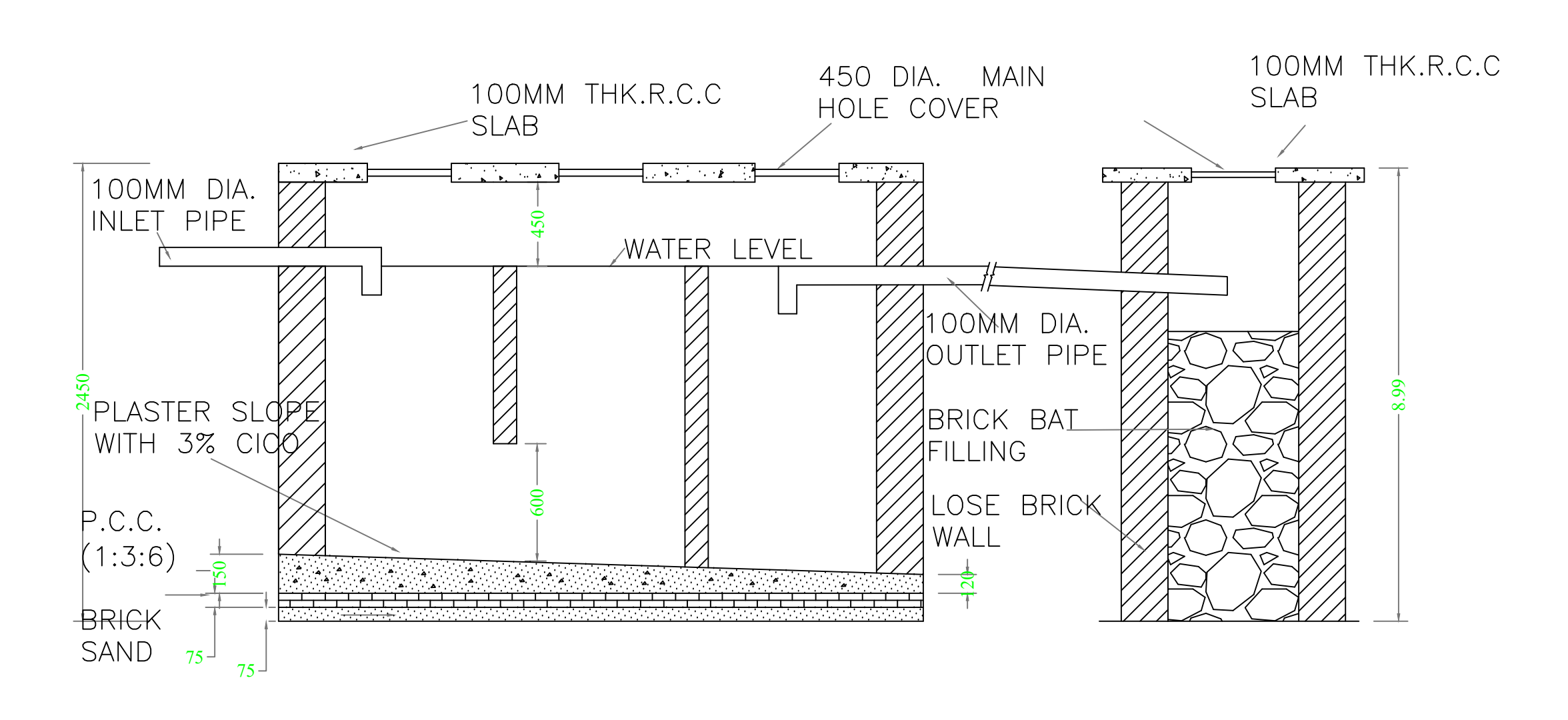
SECTION -CC



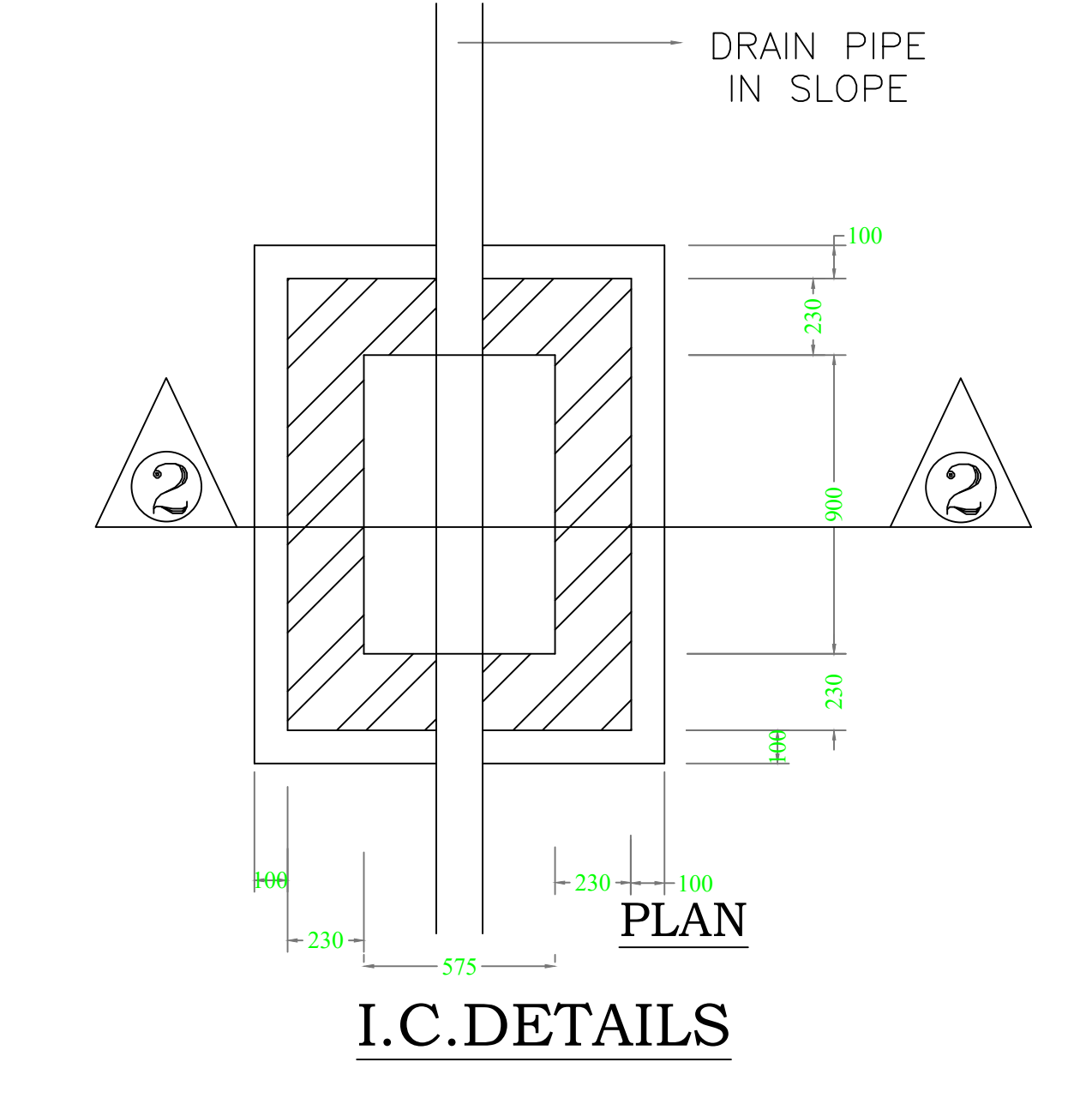
DETAIL OF FOUNDATION



DESIGN OF RECHARGE PIT FOR ROOF TOP RAIN WATER HARVESTING



SECTION AT 2-2



I.C.DETAILS

1/37 NAME AND SIGNATURE	STRUCTURAL ENGINEER NAME AND SIGNATURE	BUILDER NAME AND SIGNATURE
2/37 DATE		