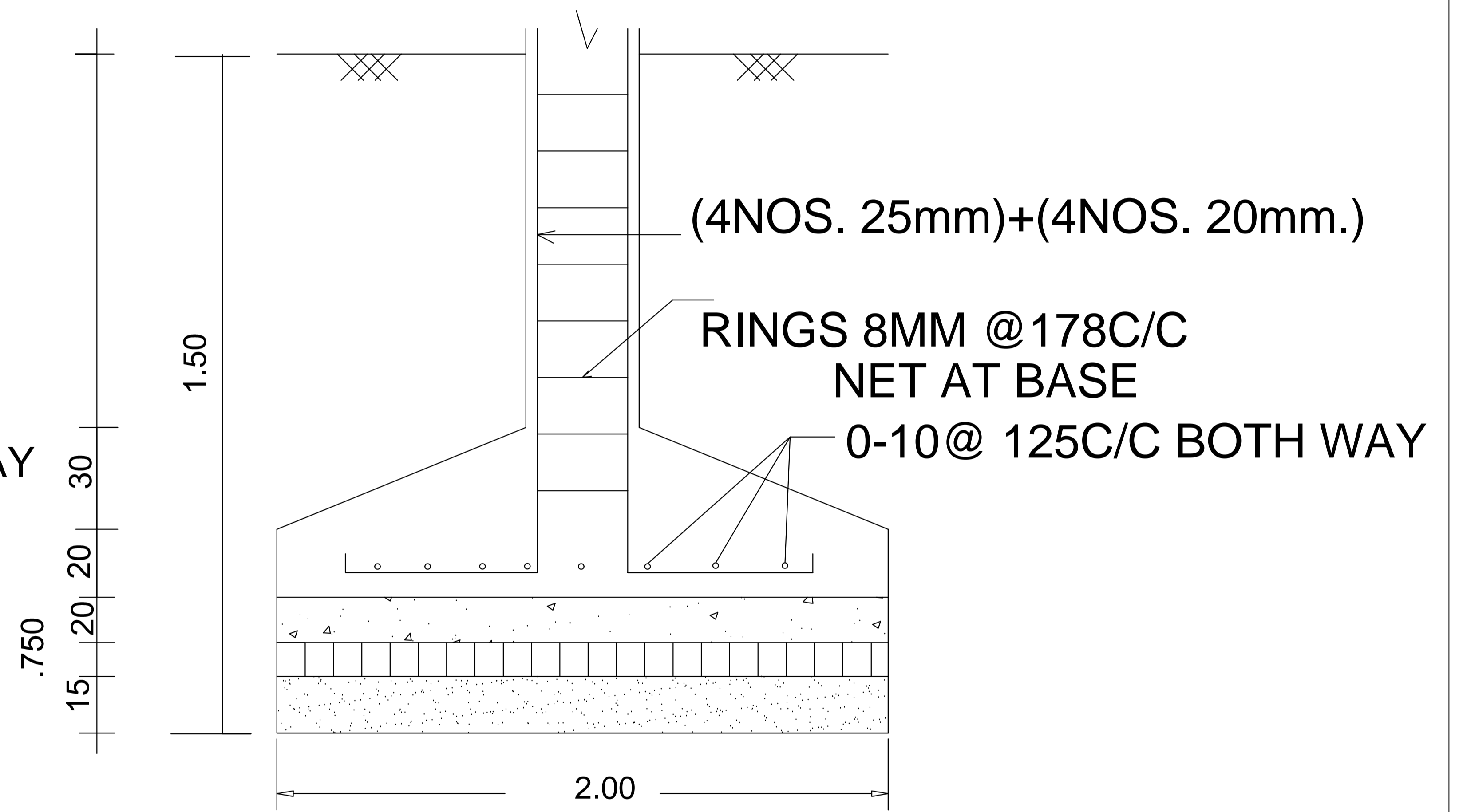


PLAN OF COLUMN



SECTIONAL ELEVATION (x-x')