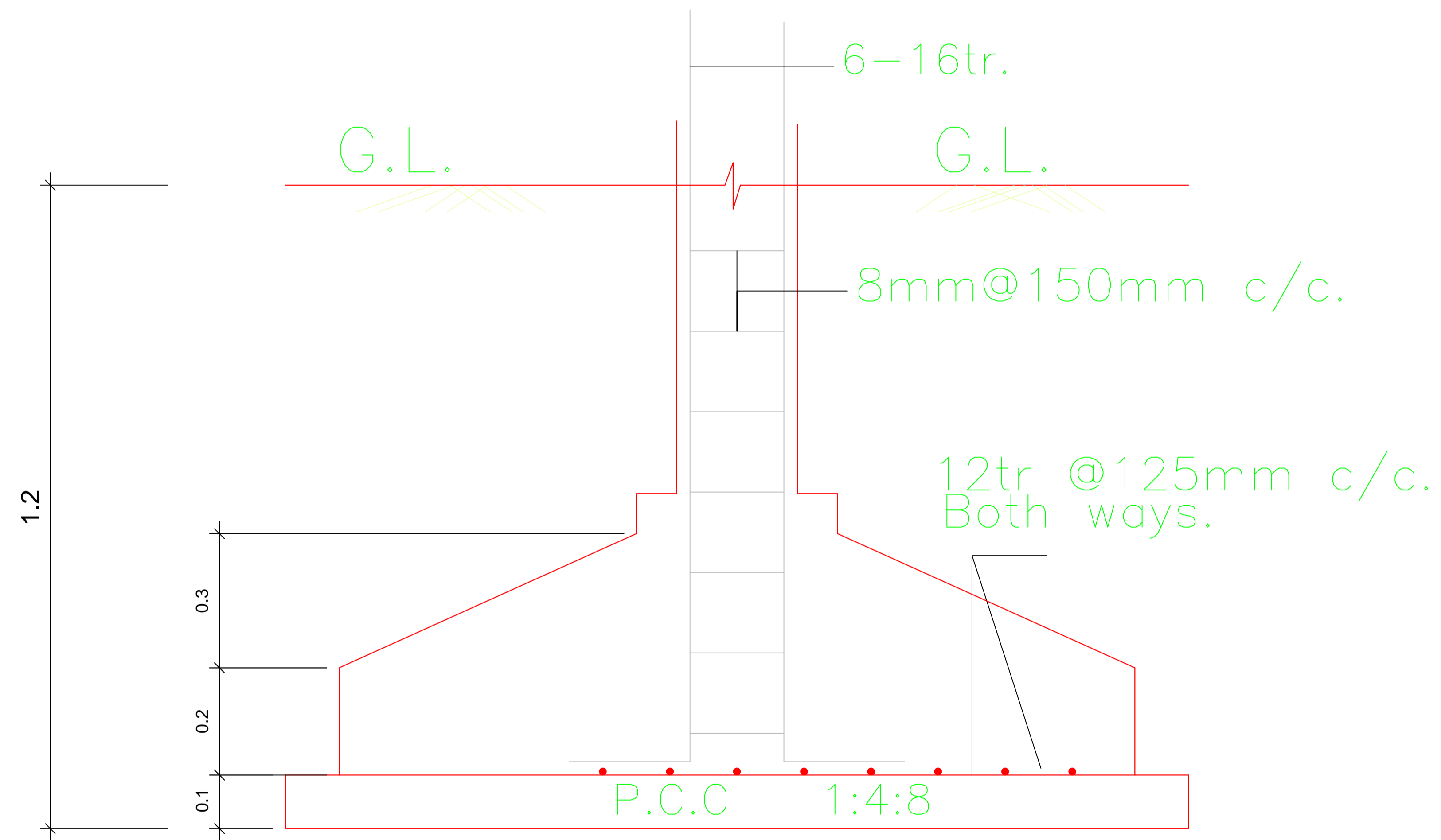


DETAIL OF FOOTING

Not to Scale



SECTION ON = X-X

Not to Scale