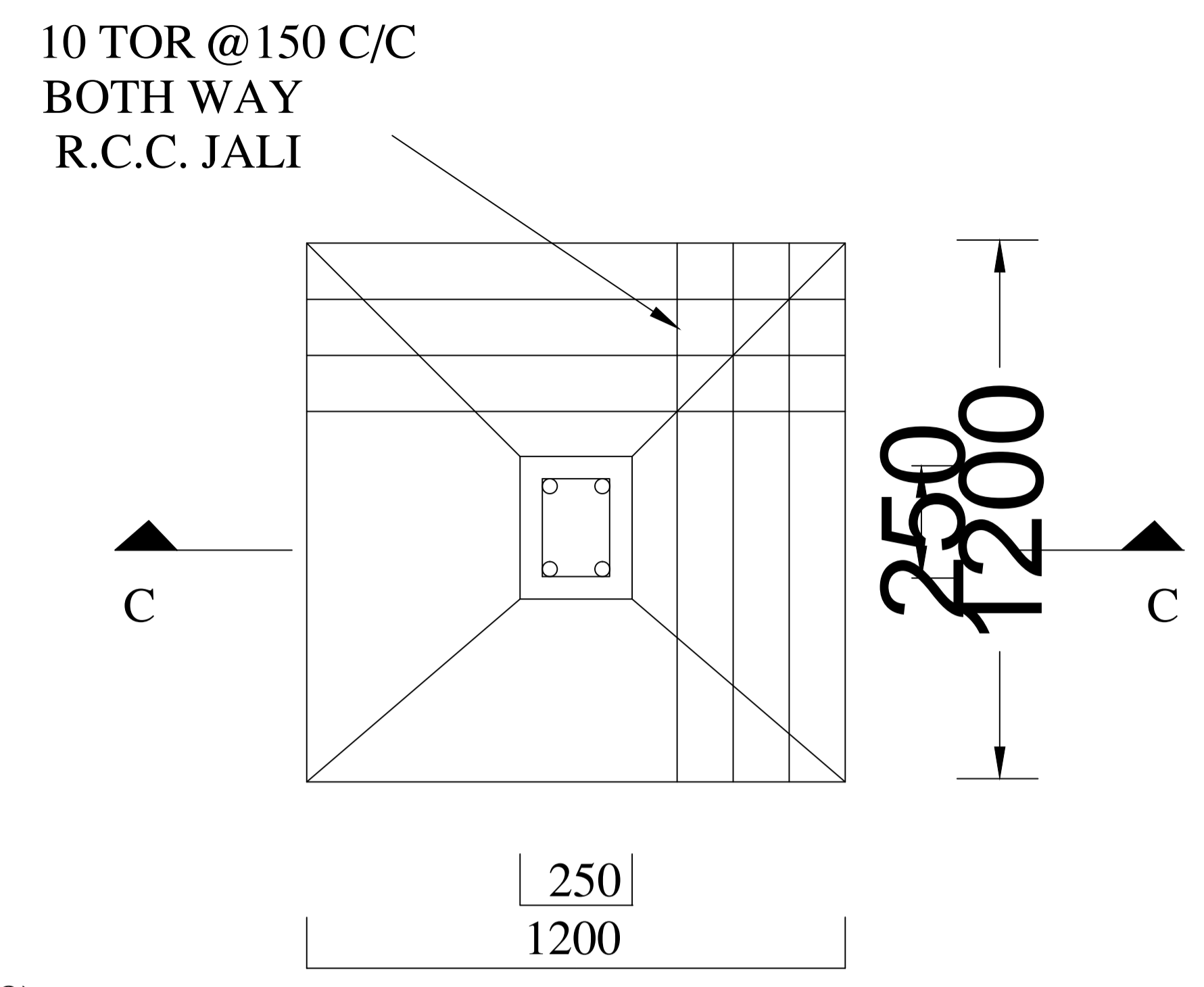


SECTION -CC



**PLAN
DETAIL OF FOUNDATION**

