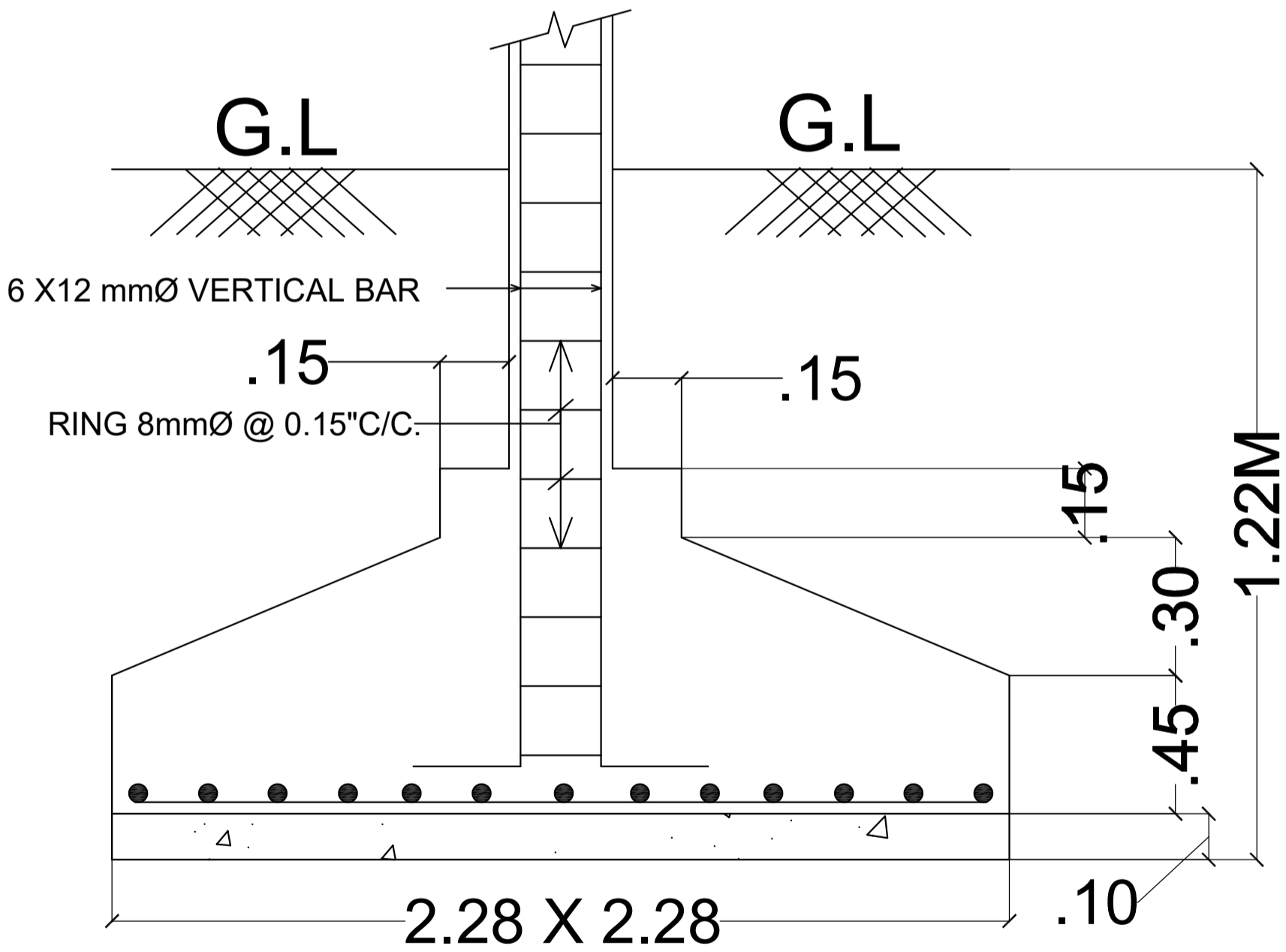


10X 20 mmØ

SECTION OF COLUMN.



SECTION OF FOOTING