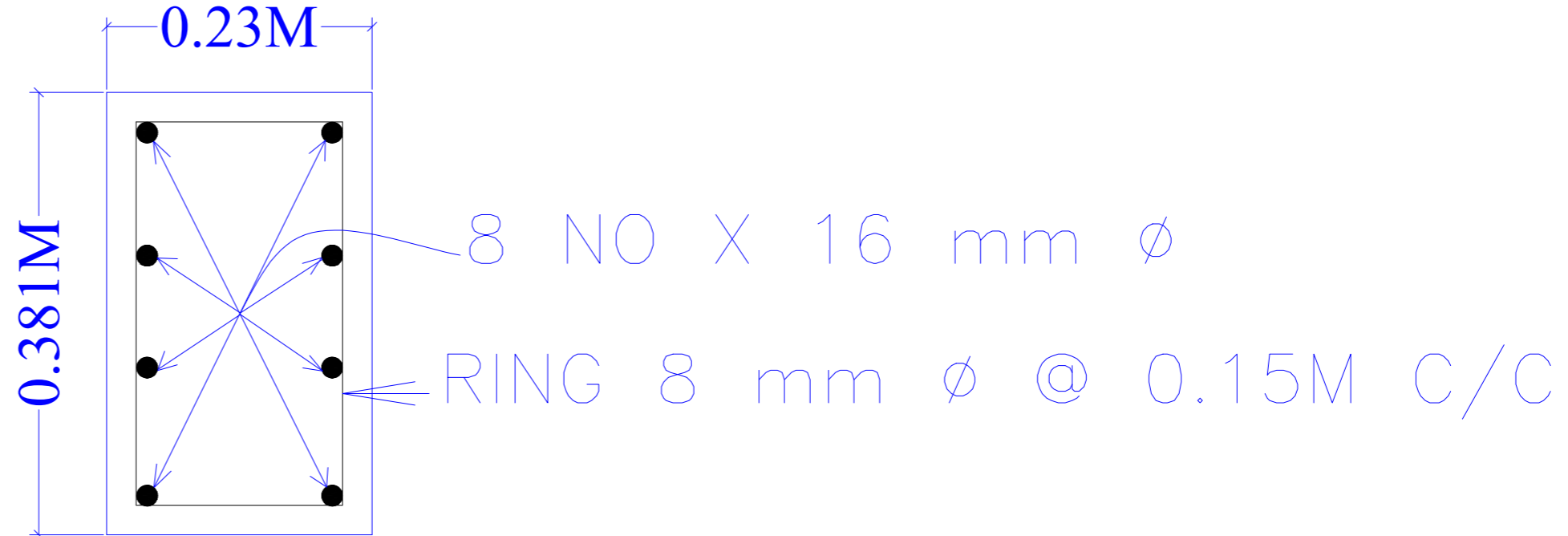
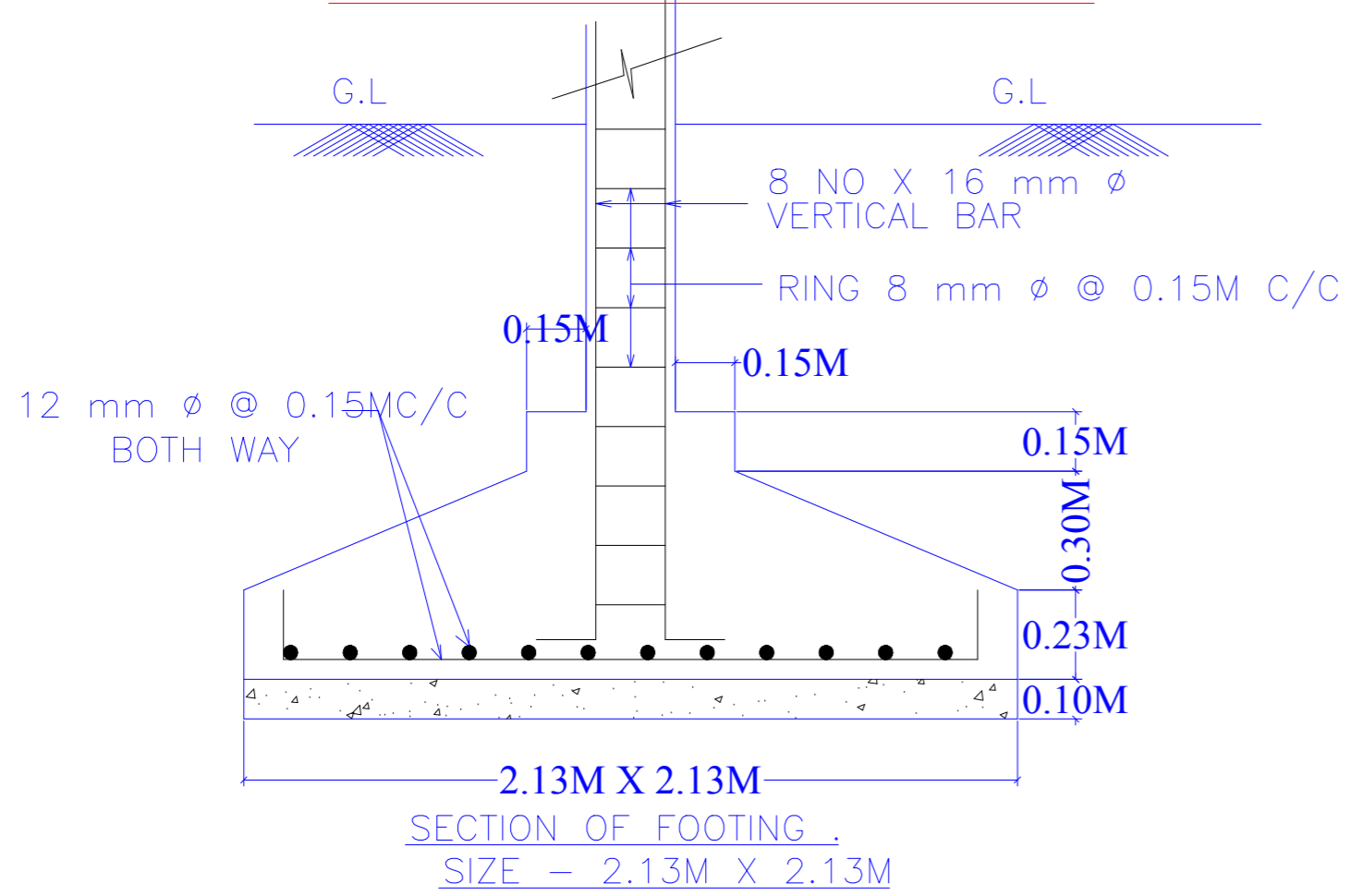
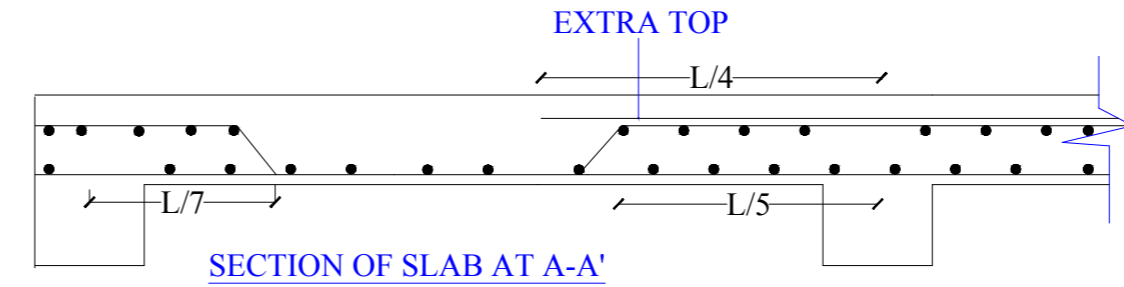
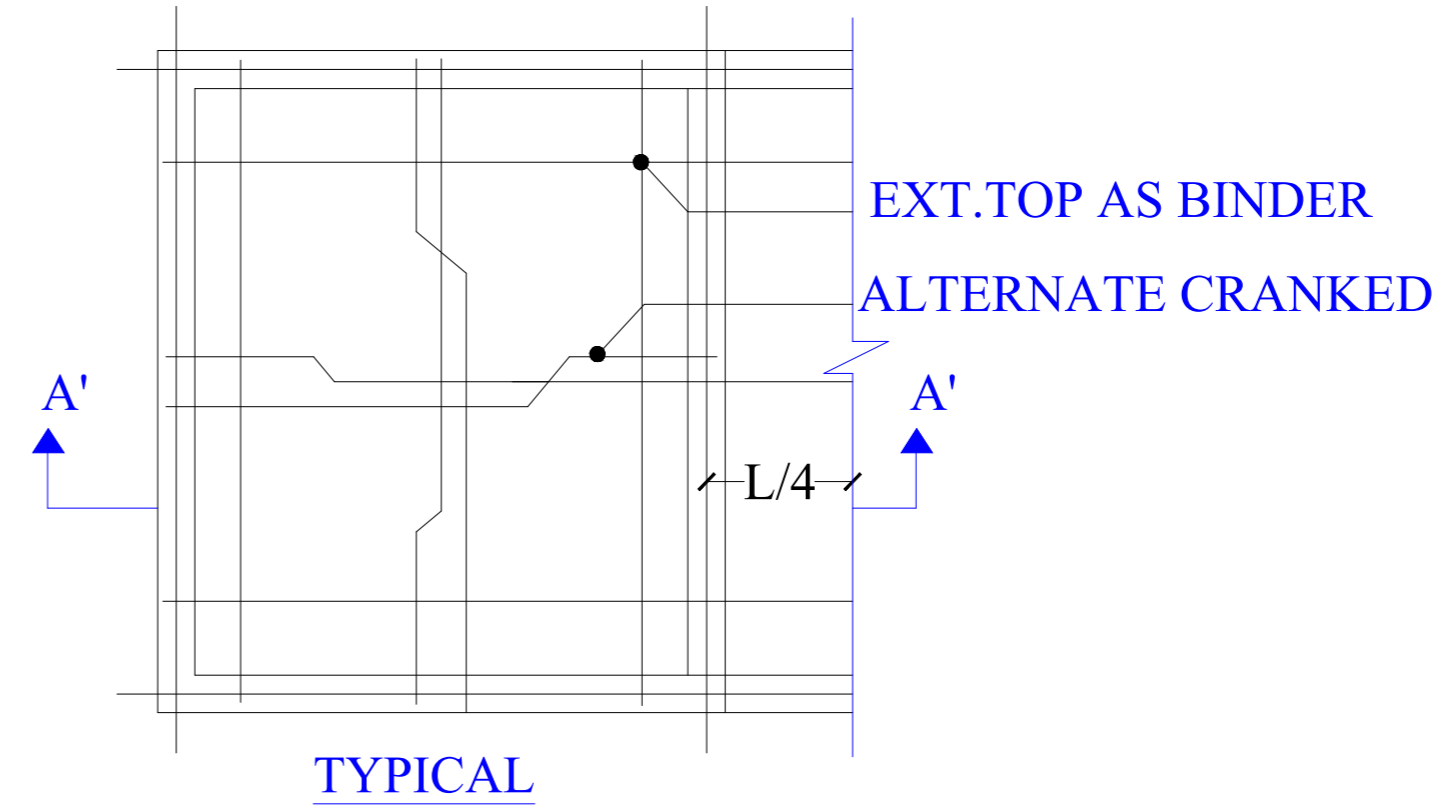
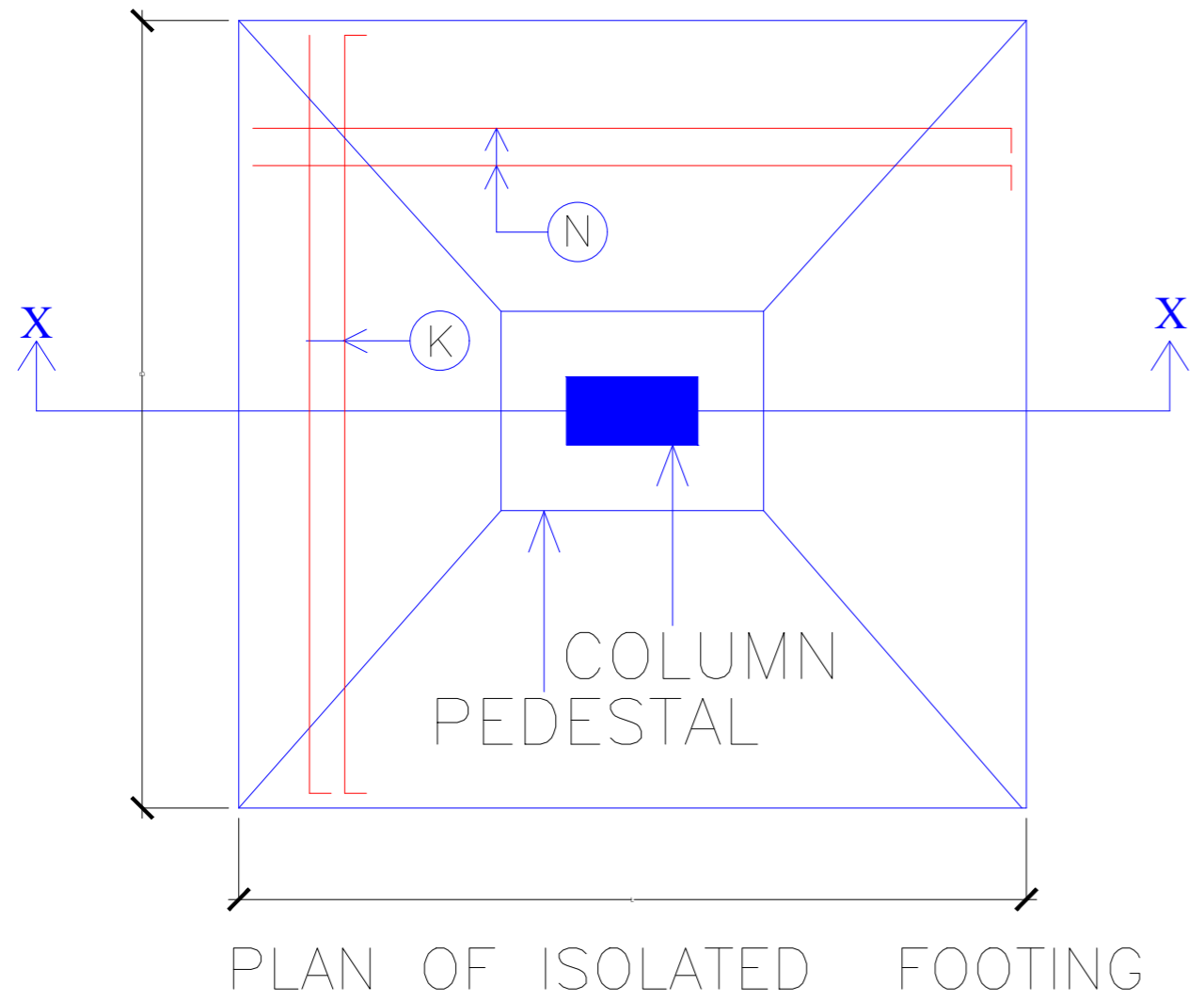


COLUMN REINFORCEMENT DETAIL

FOOTING DETAIL



TYPICAL SLAB DETAIL



STRUCTURAL DETAIL