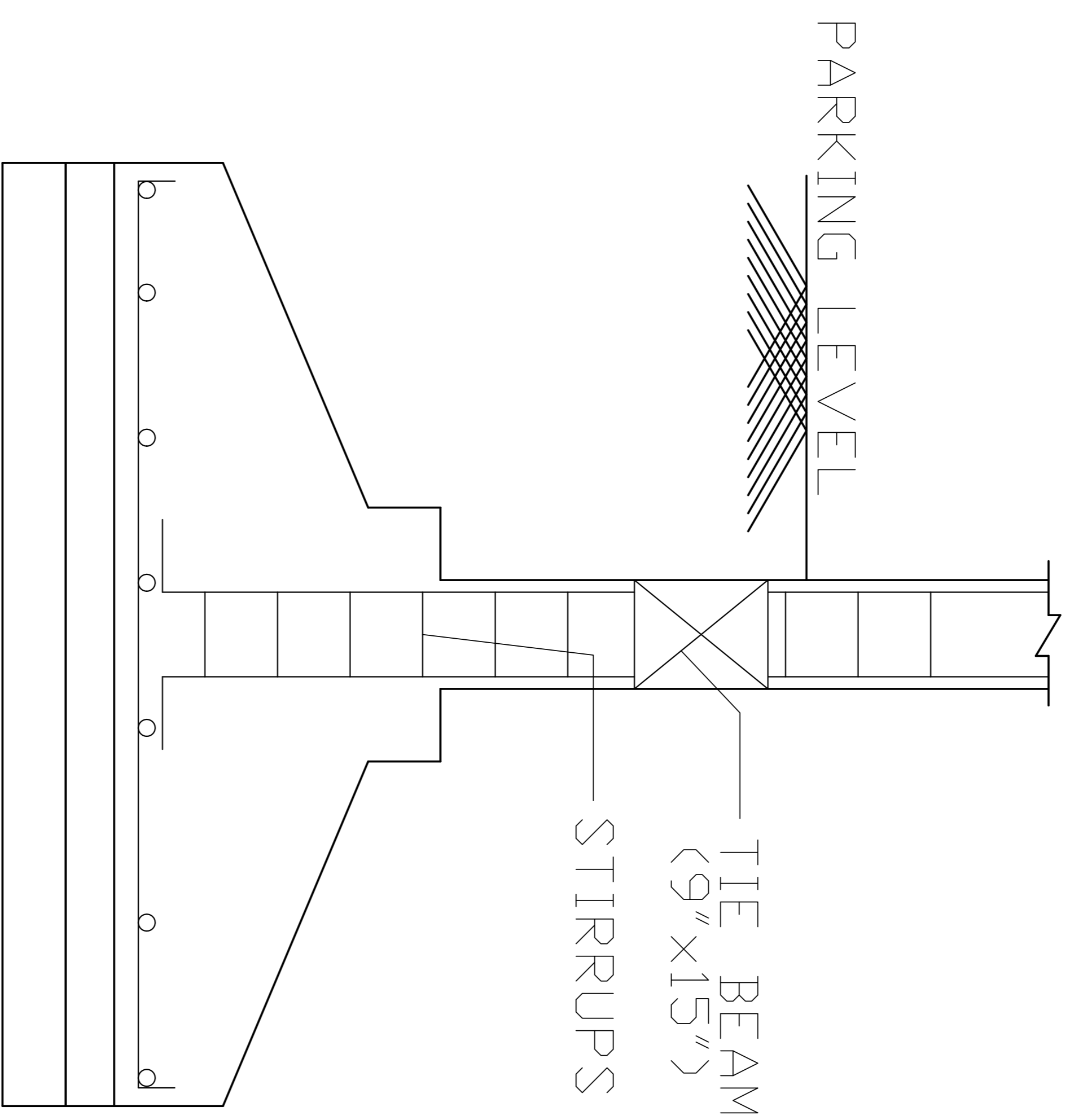
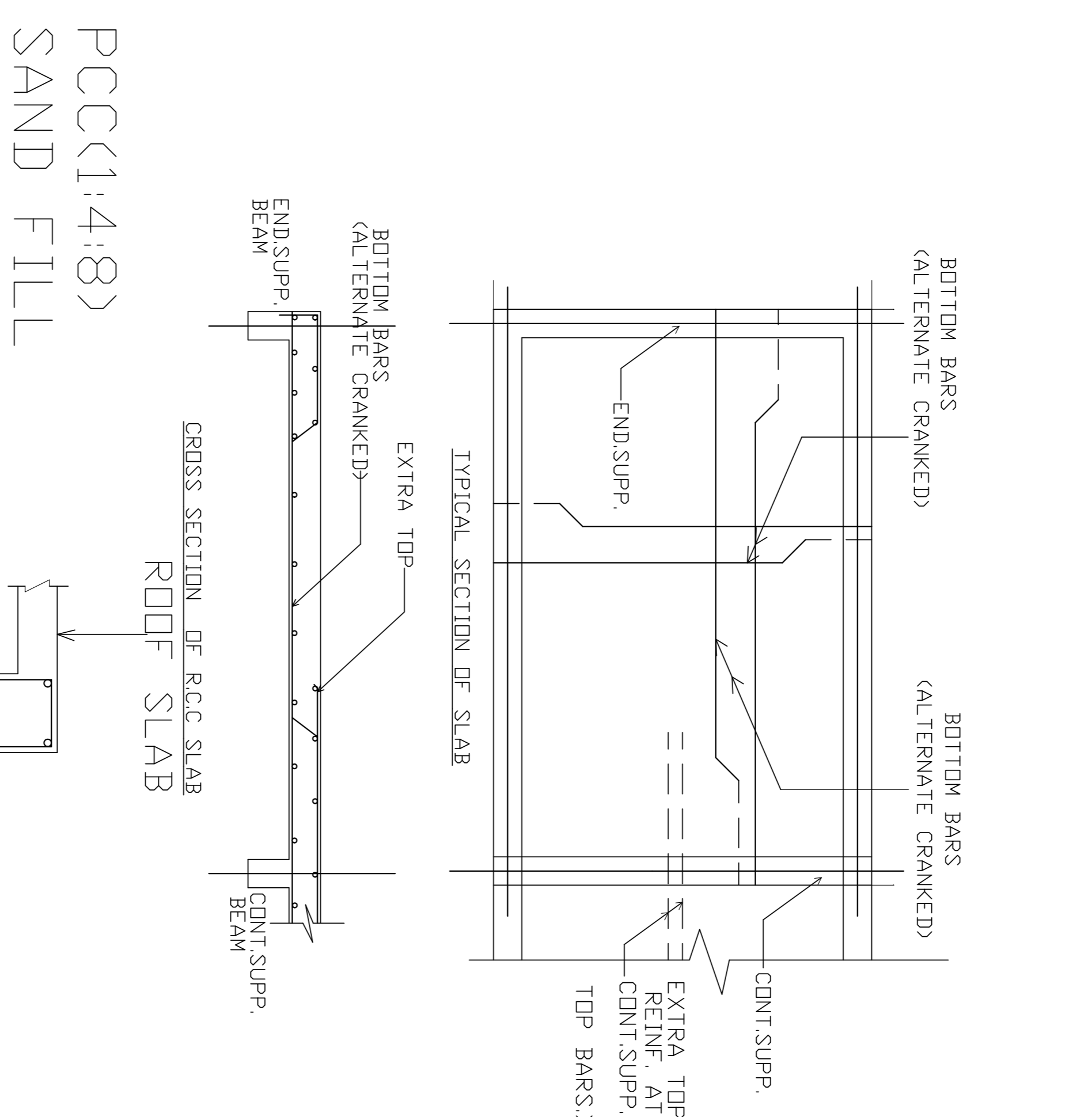


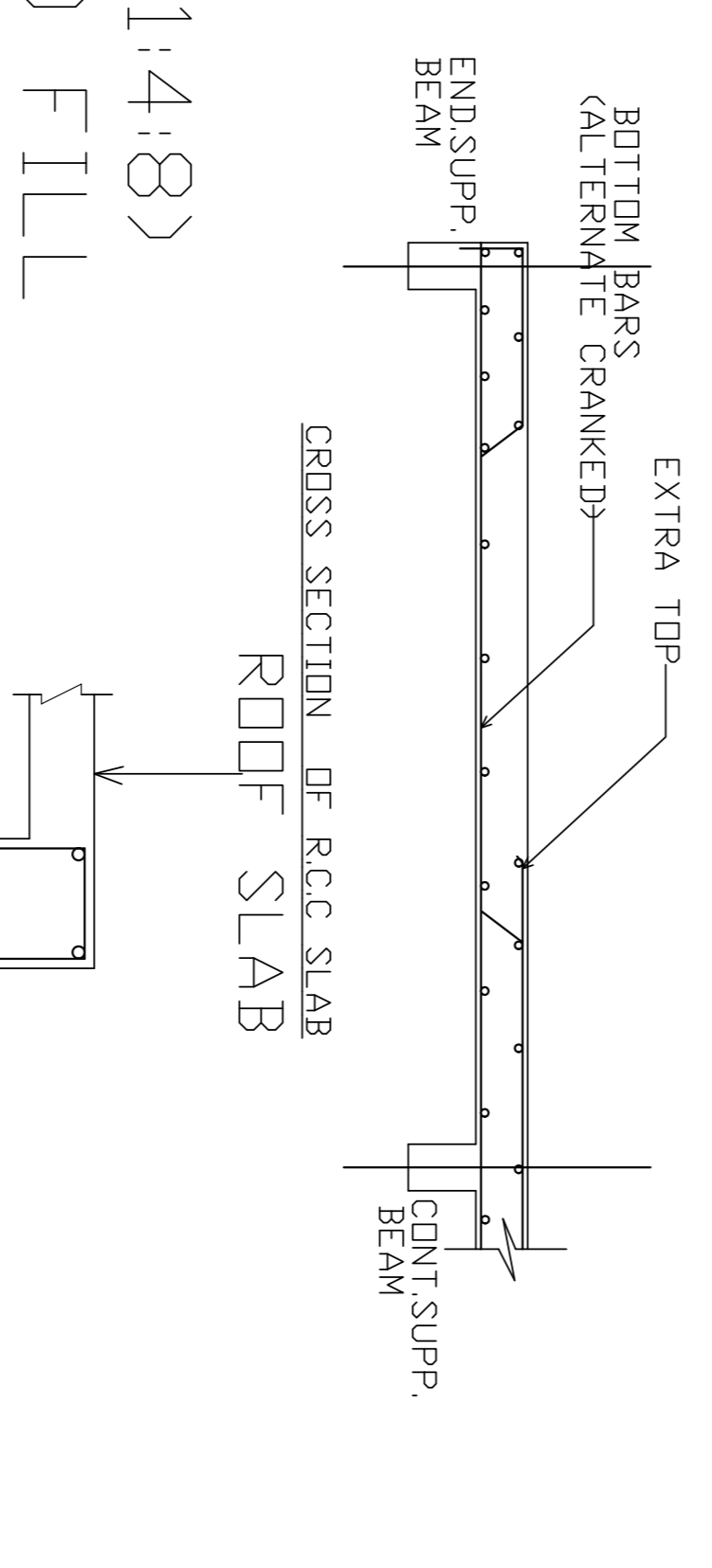
PLAN OF FOOTING



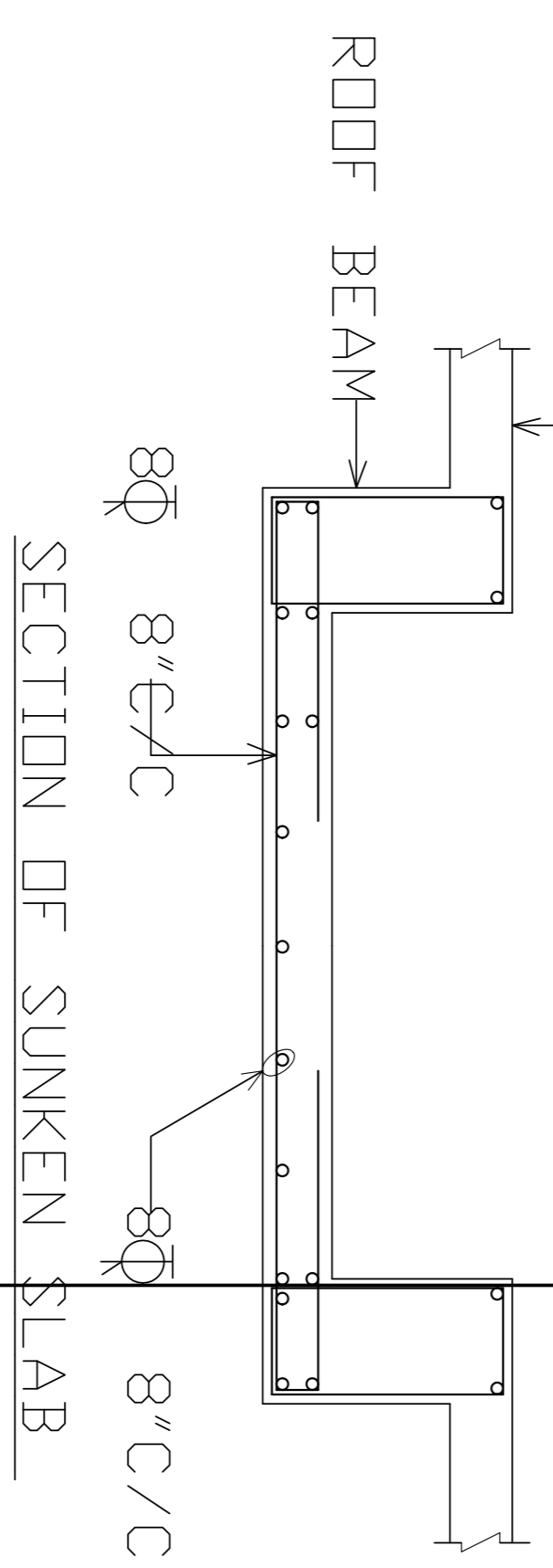
TYPICAL SECTION OF FOOTING



TYPICAL SECTION OF SLAB



GROSS SECTION OF RCC SLAB



SECTION OF SUNKEN SLAB

Structure Detail