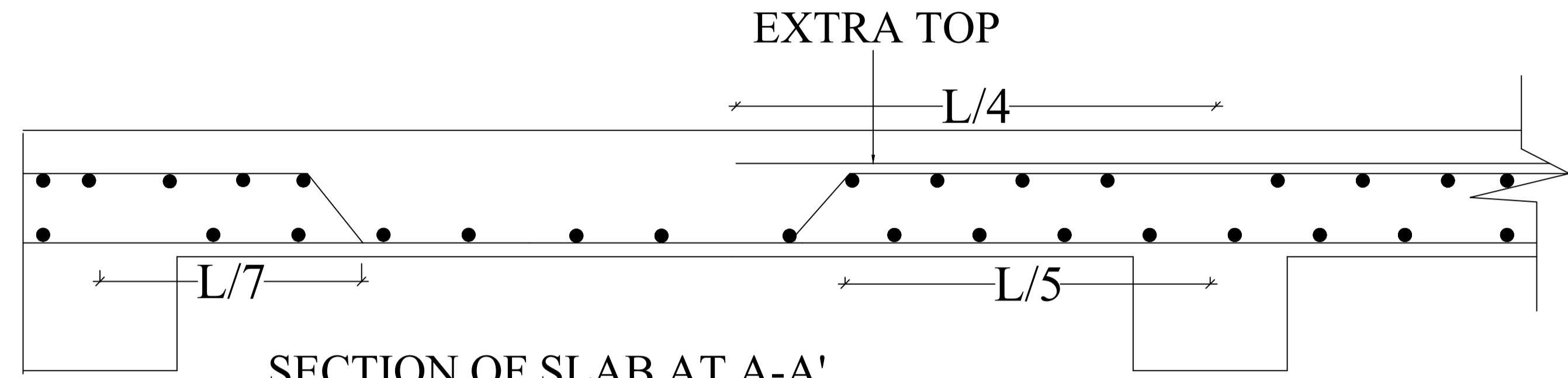
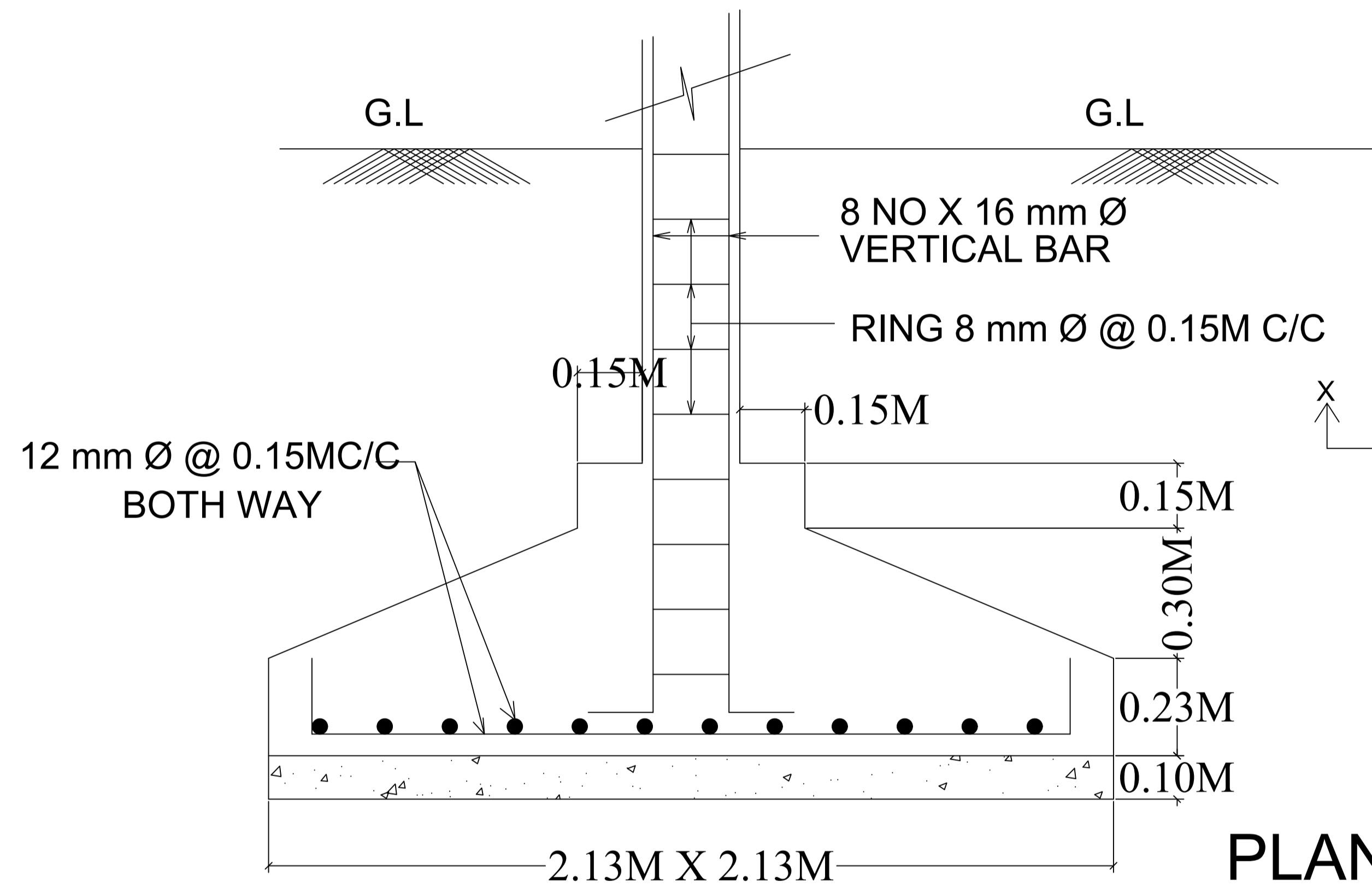


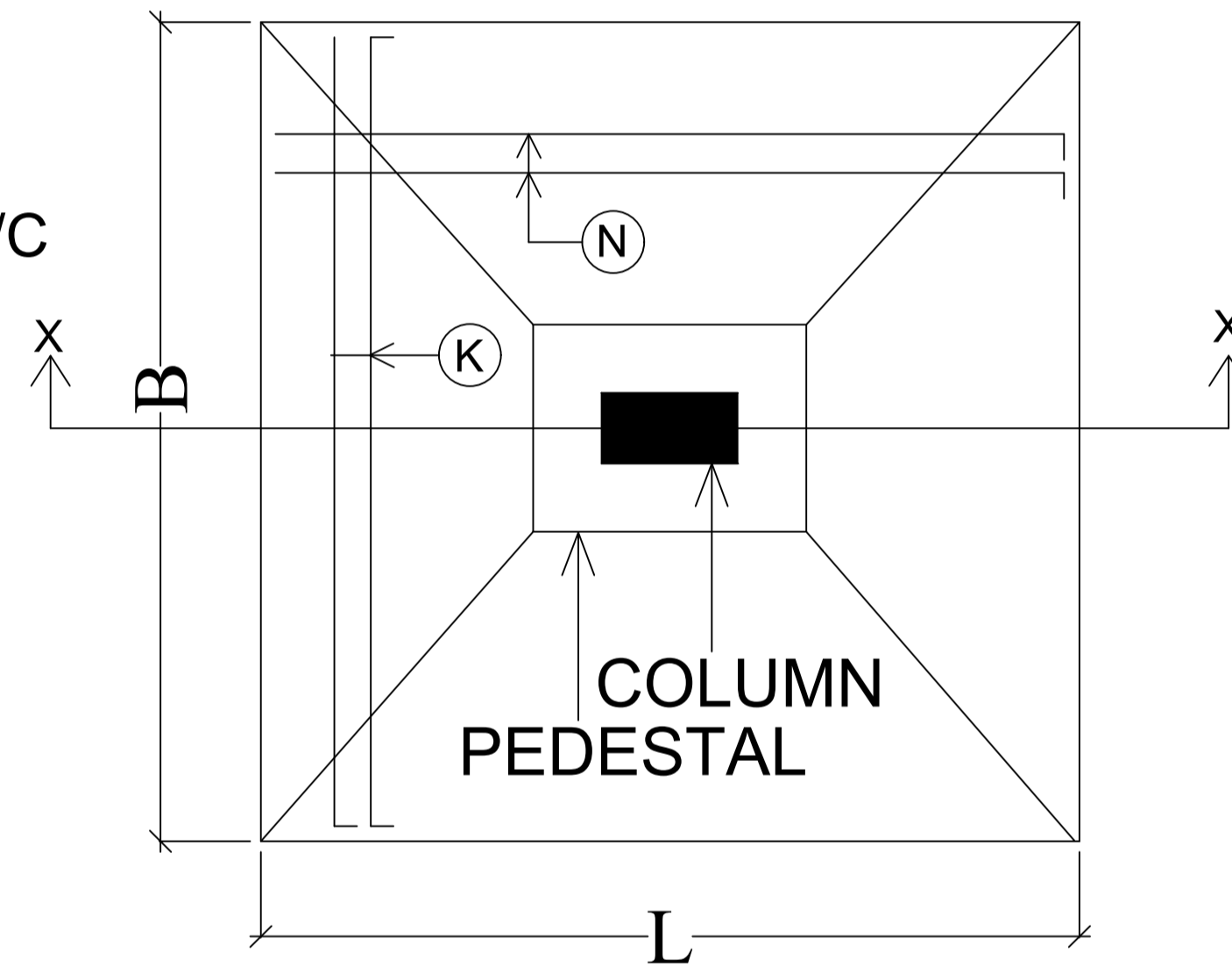
**C.S. OF COLUMN .**  
SIZE - 0.23M X 0.53M



**SECTION OF SLAB AT A-A'**



**SECTION OF FOOTING .**  
SIZE - 2.13M X 2.13M



**PLAN OF ISOLATED FOOTING**

