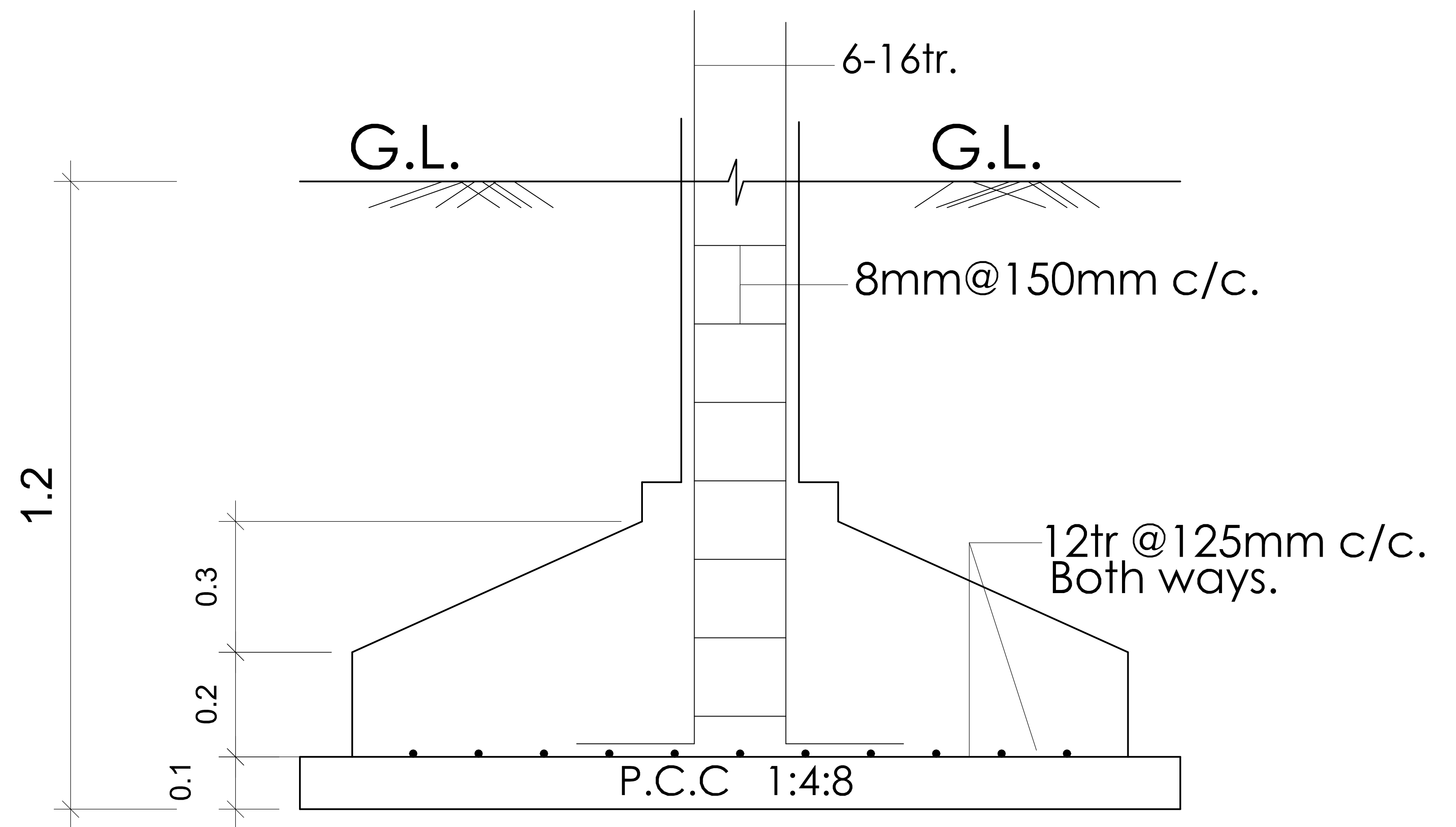


DETAIL OF FOOTING
 Not to Scale



SECTION ON = X-X