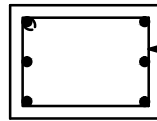


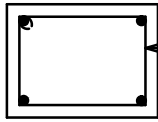
4 - 12 mm. Tor +
2 - 16 mm. Tor

C (230 X 300)



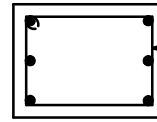
4 - 16 mm. Tor +
2 - 12 mm. Tor

C3 (230 X 300)



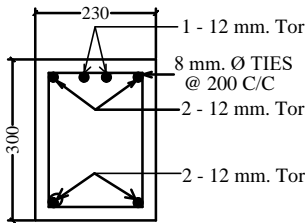
4 - 12 mm. Tor

C (230 X 230)



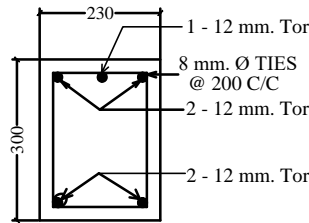
6 - 12 mm. Tor

C1 (230 X 300)



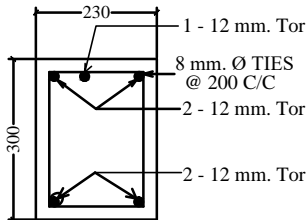
SECTION OF TIE BEAM - TB2

SIZE : - (230 X 300)



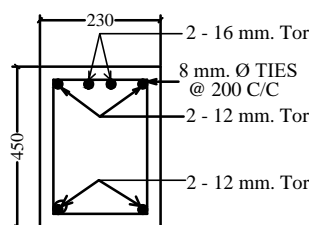
SECTION OF TIE BEAM - TB1

SIZE : - (230 X 300)



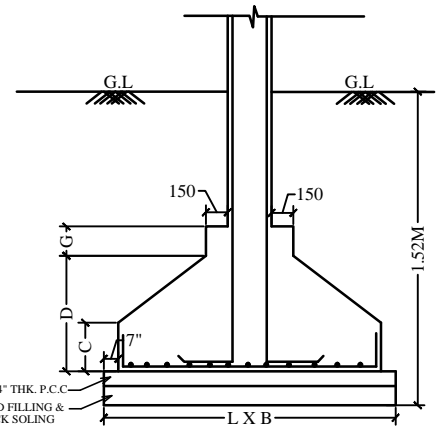
SECTION OF ROOF BEAM - RB1

SIZE : - (230 X 300)

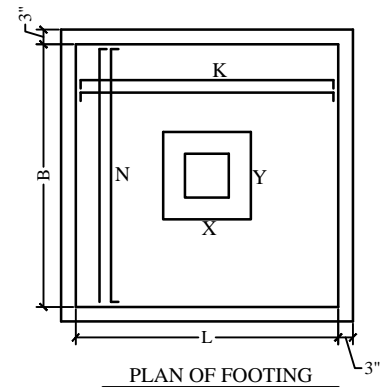


SECTION OF TIE BEAM - RB2

SIZE : - (230 X 450)



SECTION OF FOOTING



PLAN OF FOOTING

FOOTING SCHEDULE

S.NO.	FOOTING MARKED	FOOTING SIZE		D	C	PEDESTAL SIZE			REINFORCEMENT	
		L	B			X	Y	G	N	K
1.	C / F	4'-0"	4'-0"	12"	5"	21"	21"	6"	10 TOR @ 5"C/C	10 TOR @ 5"C/C
2.	C1/F1	4'-6"	4'-6"	14"	6"	21"	24"	6"	10 TOR @ 4.5"C/C	10 TOR @ 4.5"C/C
3.	C2/F2	5'-0"	5'-0"	16"	7"	21"	24"	6"	12 TOR @ 6" C/C	12 TOR @ 6" C/C
4.	C3/F3	5'-6"	5'-6"	18"	7"	21"	24"	6"	12 TOR @ 5" C/C	12 TOR @ 5" C/C