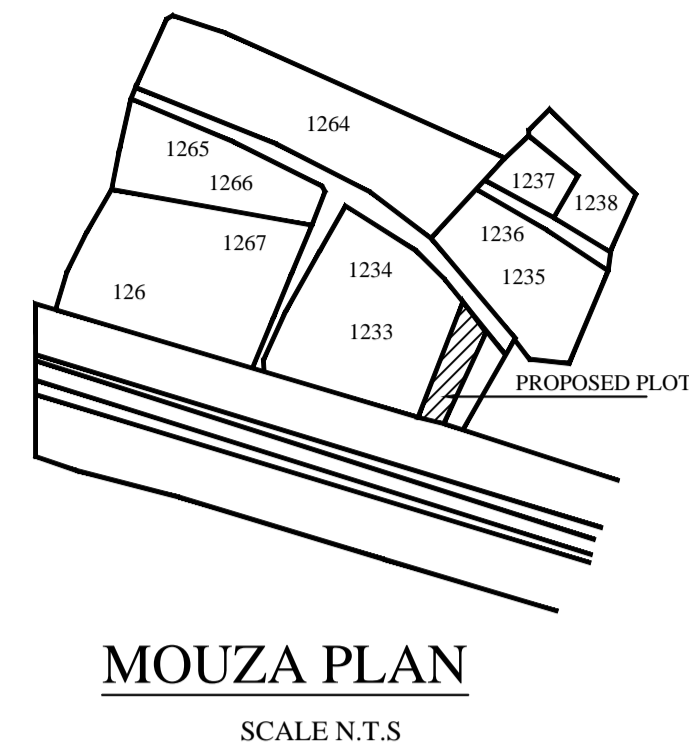
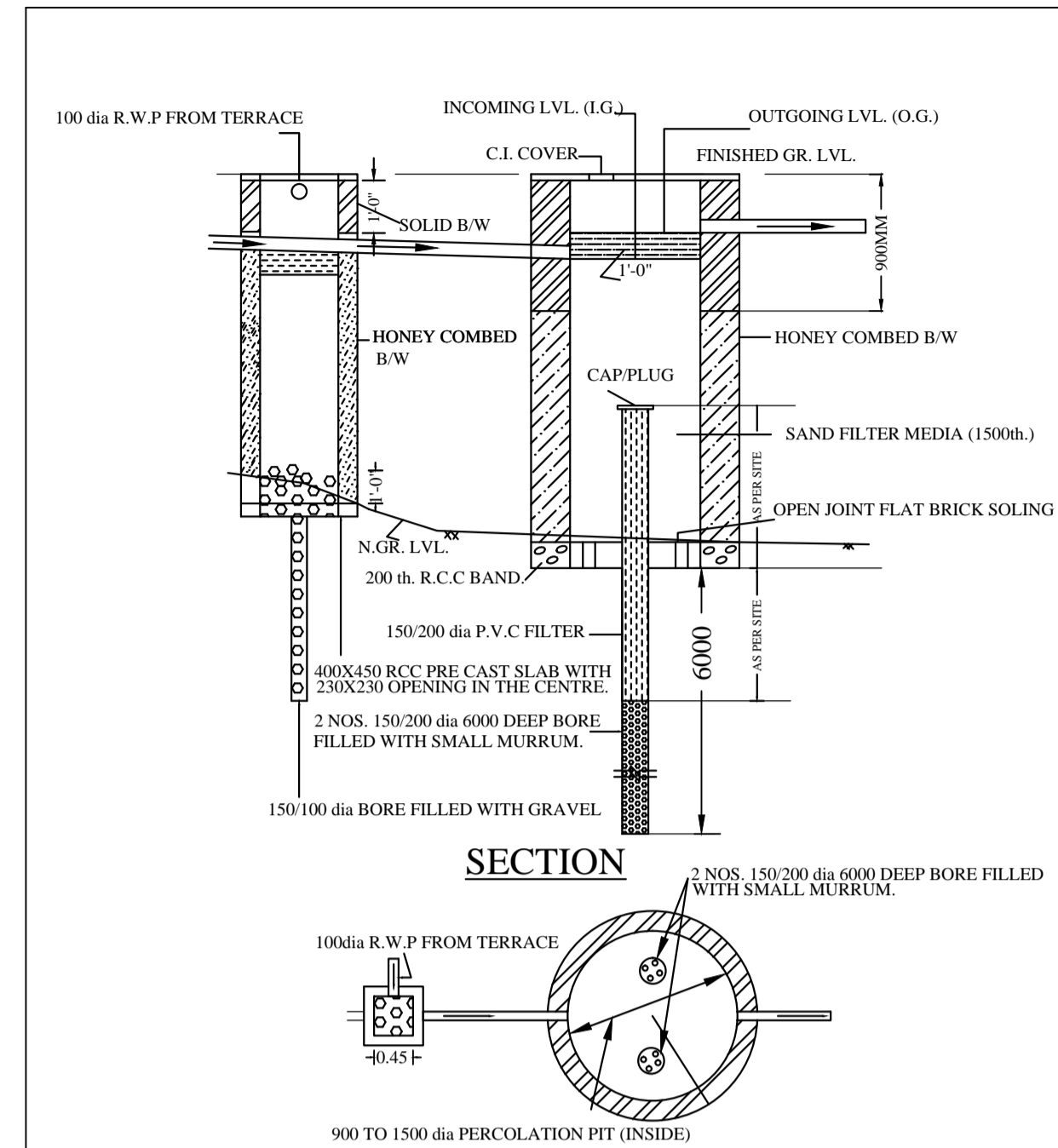


SEPTIC TANK PLAN
SCALE -1:50

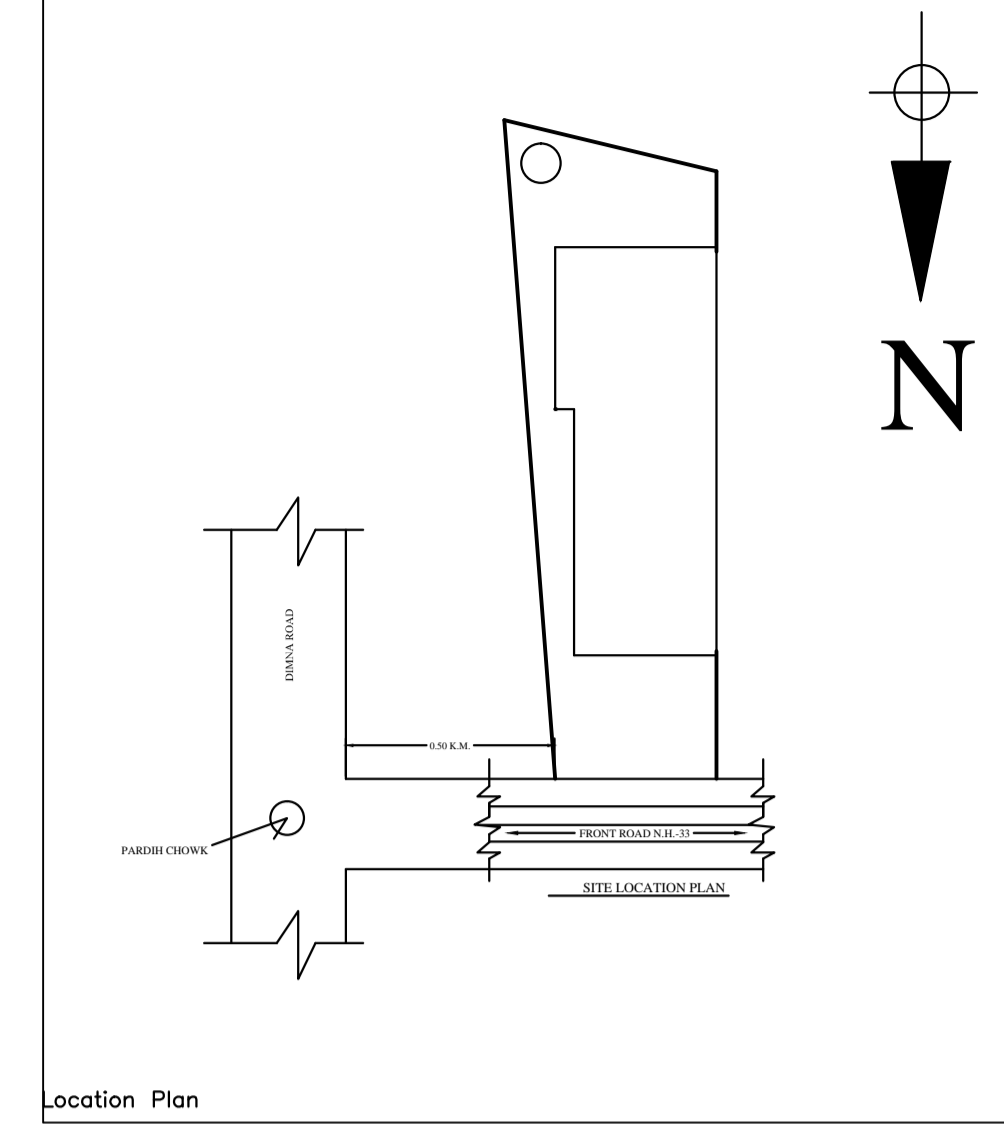
SECTION - SS
SCALE -1:50



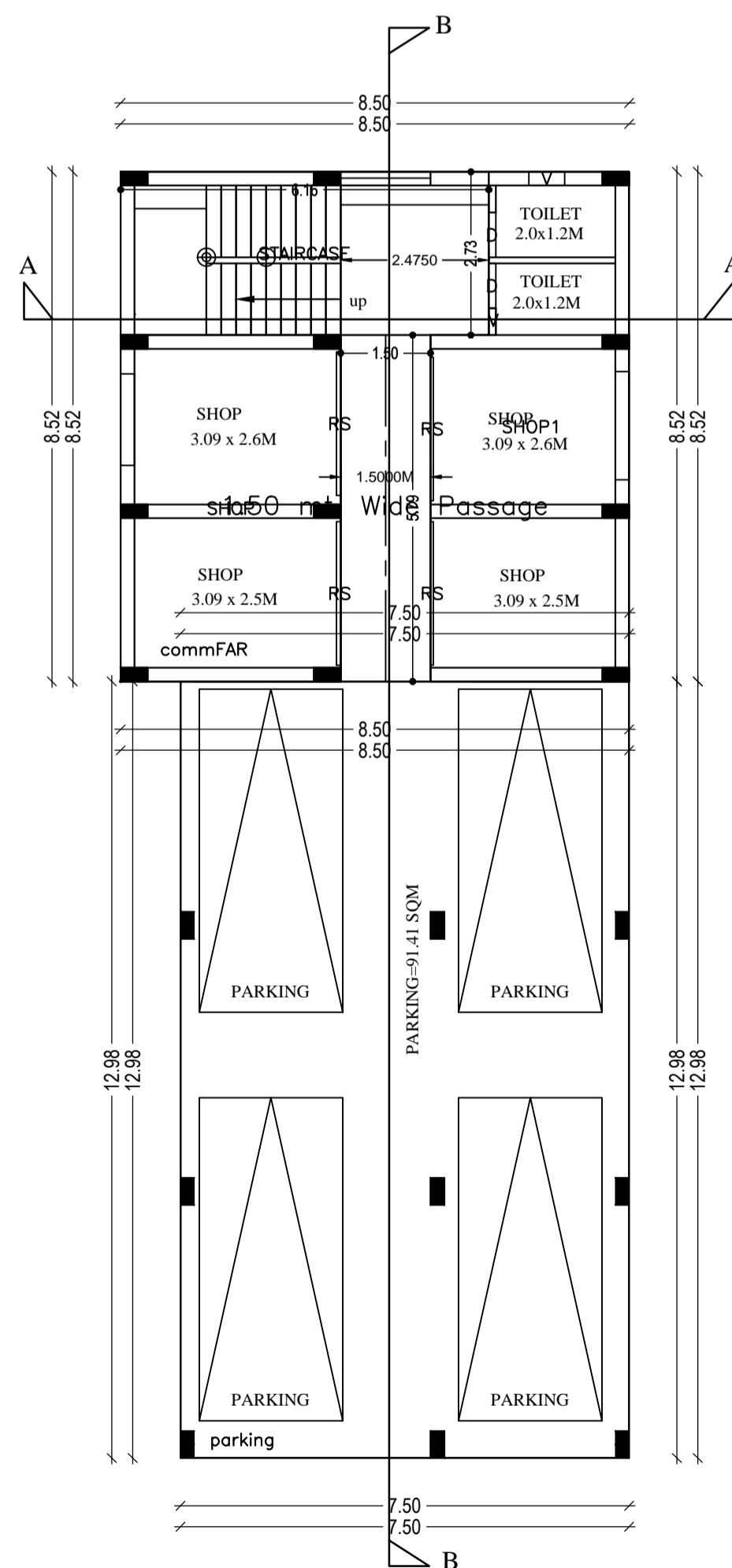
MOUZA PLAN
SCALE N.T.S



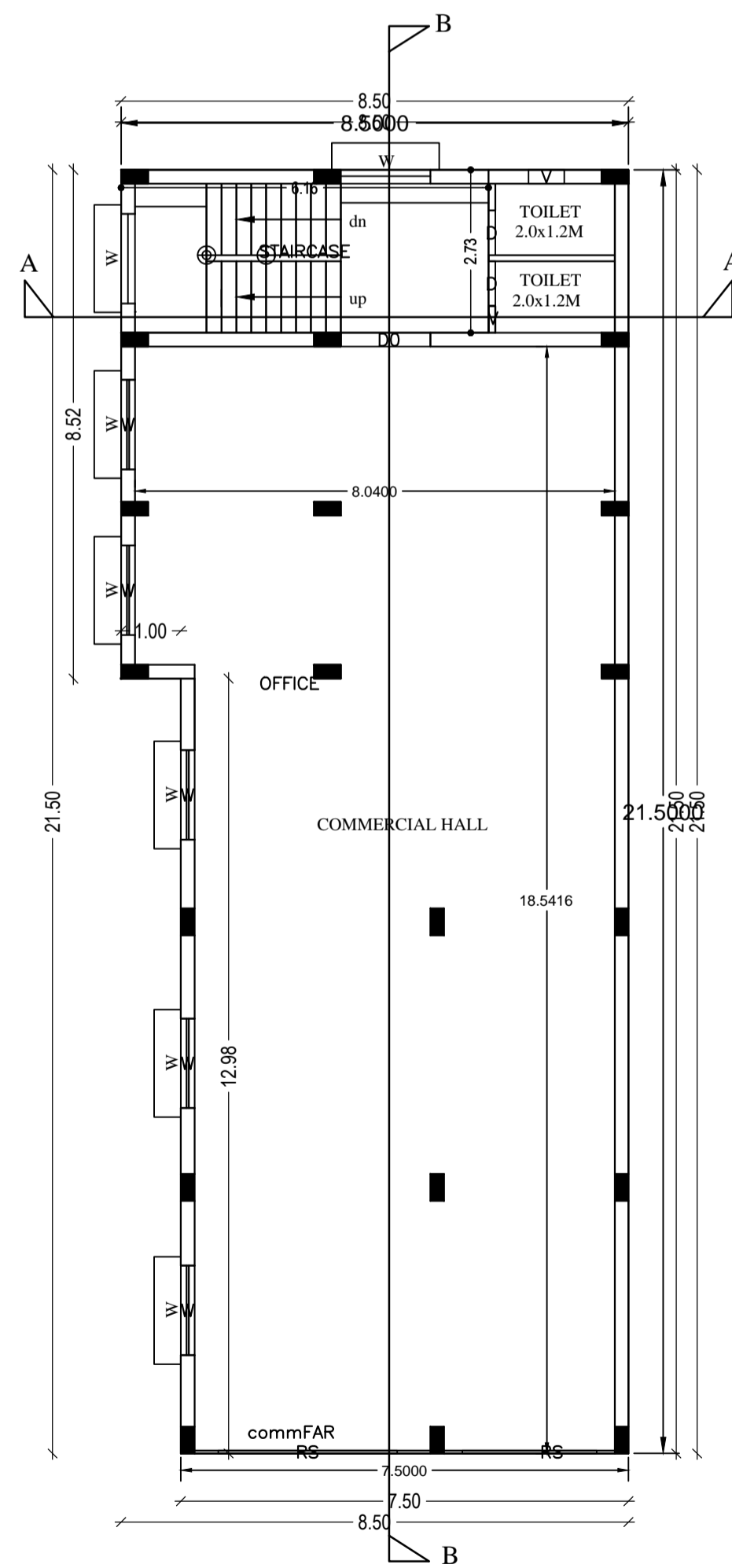
WATER HARVESTING PLAN (NTS)



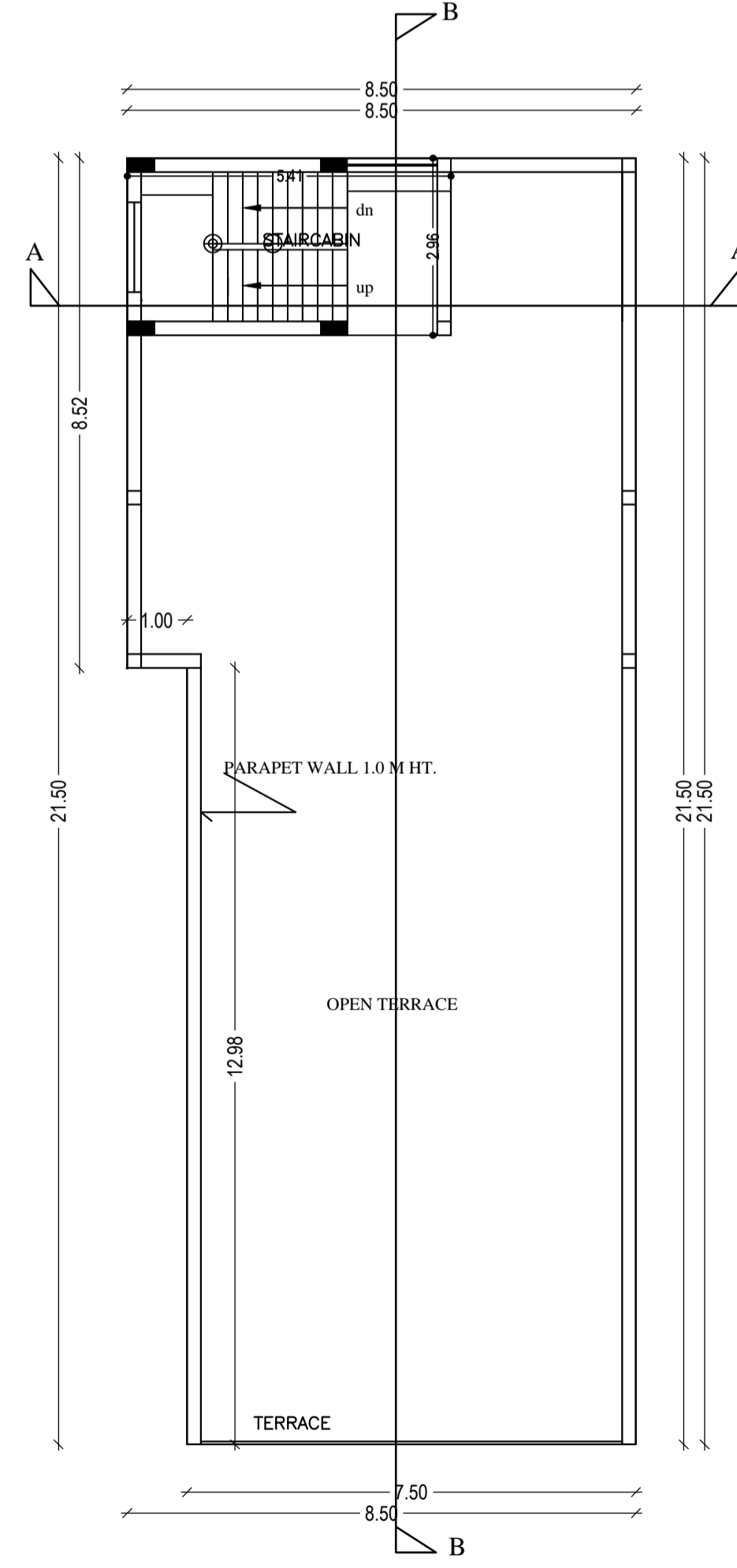
Location Plan



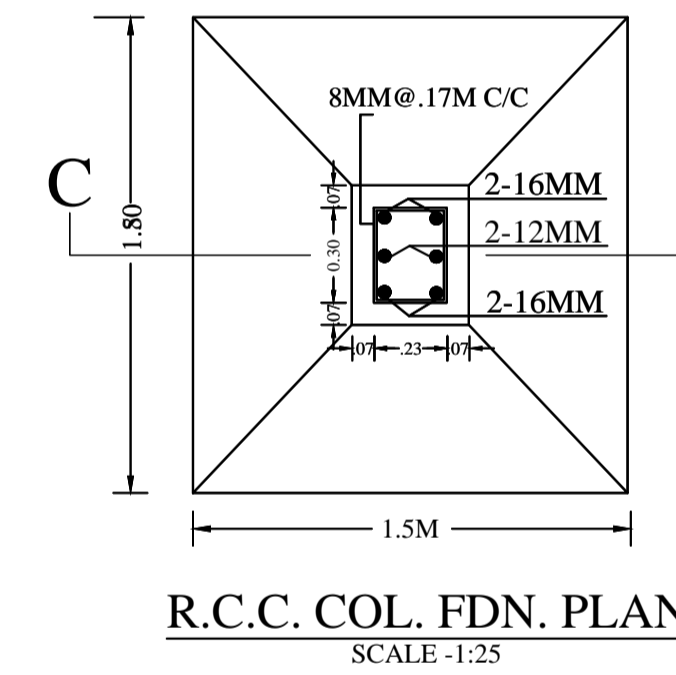
GROUND FLOOR PLAN
SCALE 1:100



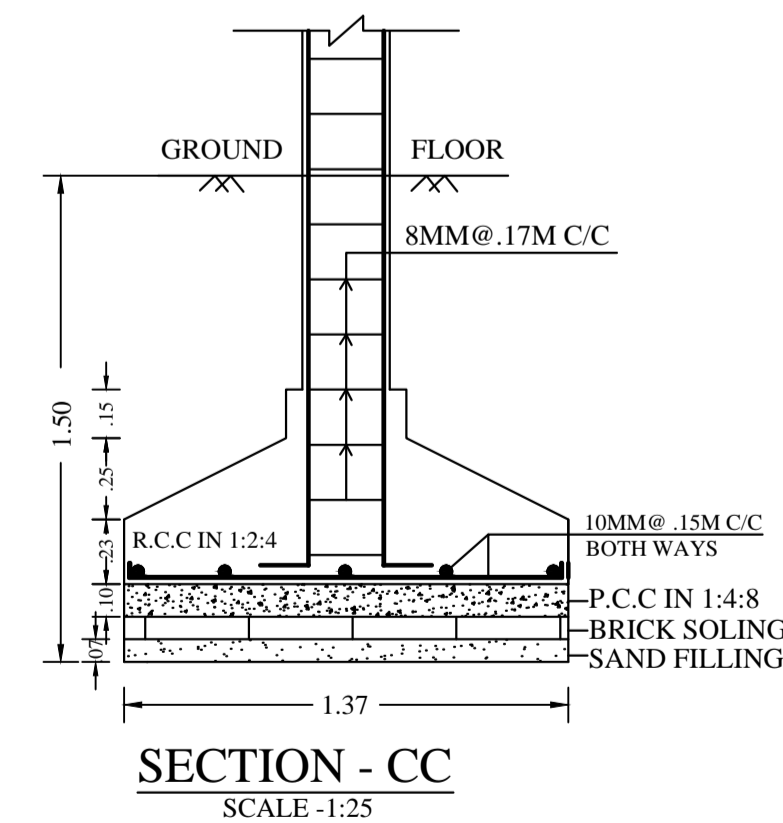
TYPICAL FLOOR PLAN FOR
1ST +2ND+3RD FLOOR



TERRACE PLAN
SCALE 1:100



R.C.C. COL. FDN. PLAN
SCALE -1:25



SECTION - CC
SCALE -1:25

AREA CALCULATION	
PLOT AREA	: 326.32 SQM
COVERED AREA	= 169.78 SQMT
GROUND FLOOR BUILT UP AREA	= 72.42 SQMT
1ST FLOOR BUILT UP AREA	= 169.78 SQMT
2ND FLOOR BUILT UP AREA	= 169.78 SQMT
3rd FLOOR BUILT UP AREA	= 169.78 SQMT
	= 581.76 SQMT

% Of Gr. Coverage = 169.78 X 100 / 326.32 = 52.02%
F.A.R. = 581.76 / 326.32 = 1.63
OPEN SPACE = 326.32 - 169.78 = 156.54 SQMT

SIZE	DESCRIPTION
1.07M X 2.13M	Pannelled t.w single shutter door.
0.91M X 2.13M	Pannelled t.w single shutter door.
0.76M X 2.13M	Pannelled t.w single shutter door.
1.83M X 1.22M	Glazed steel framed window 3. shutt.
1.52M X 1.22M	Glazed steel framed window 3. shutt.
1.22M X 1.22M	Glazed steel framed window 2. shutt.
0.61M X 0.61M	Top hung steel ventilator.
5.50M X 2.29M	Rolling Shutter.
2.14M X 2.29M	Collapsible Grill Gate

GENERAL SPECIFICATION :-
: PLAIN CEMENT CONCRETE AS PER DESIGN.
: R.C.C. COLUMN FOOTING & COLUMN AS PER STRUCTURAL DESIGN.
: R.C.C. COLUMN AND BEAM AS PER STRUCTURAL DESIGN.
: 0.23M THK. EXTERNAL WALL & 0.11M THK. PARTITION WALL. IN CEMENT MORTAR.
: R.C.C. ROOF SLAB AS PER STRUCTURAL DESIGN.
: I.P.S FLOORING ON P.C.C. BED ALL OVER FLOOR
: WHITE WASHING OVER CEMENT PLASTER
: VITROUS CHAINA SANITARY WARE
: G.I. PIPE WATER SUPPLY.
: P.V.C. PIPE FOR DISPOSAL.
: AS PER SCHEDULE.
: COPPER CONDUCTOR WITH P.V.C. CONDUIT.

PROPOSED COMMERCIAL BUILDING FOR :
SRI. RANJIT SAH S/O SRI. TRIVENI SAH
SMT. SUNITA DEVI W/O SRI. RANJIT SAH

PLOT NO. : 1233
KHATA NO. : 441
THANA : MGM
P.S. : MGM
THANA NO. : 1643
MOUZA : DIMNA
DIST : EAST SINGHBHUM

ALL FLOOR PLAN, SITE PLAN, MOUZA MAP

SIGNATURE OF ARCHITECT / ENGINEER
SCALE : 1:100, 1:200 SHEET NO.-01 OF 01

SIGNATURE OF OWNER

APPROVED BY AUTHORITY