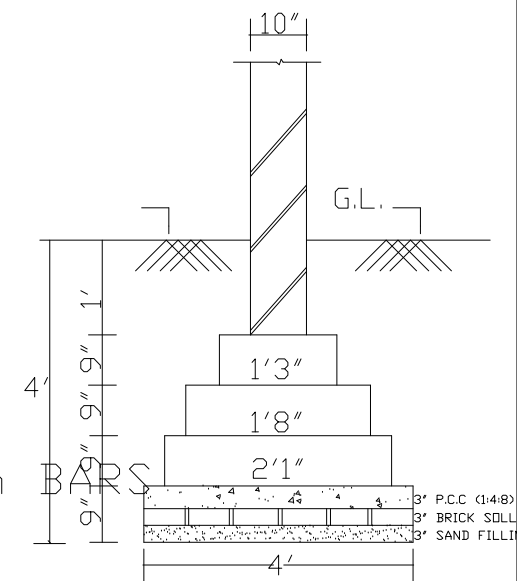


FOUNDATION PLAN  
SCALE :-1" =4'-0"

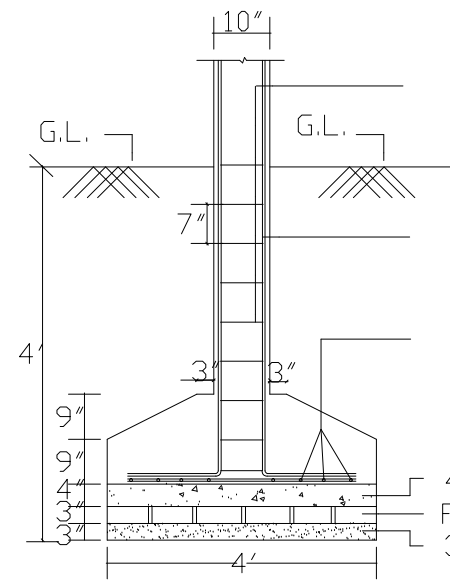
4 NOS - 12mm BARS

8" C/C RING

12 MM 6" C/C JALI



FOUNDATION DETAIL  
10" THK BRICK WALL  
SCALE :-1" =4'-0"



12 mmf 4 NOS  
MAIN REINFORM CEME  
IN FOOTING & COL

12 mmf MAIN REINFC  
IN FOOTING

4" THK P.C.C.  
FLAT B.K. SOLING  
3" SAND FILLING

DETAIL OF ISOLATED FOOTING  
SCALE :-1" =4'-0"