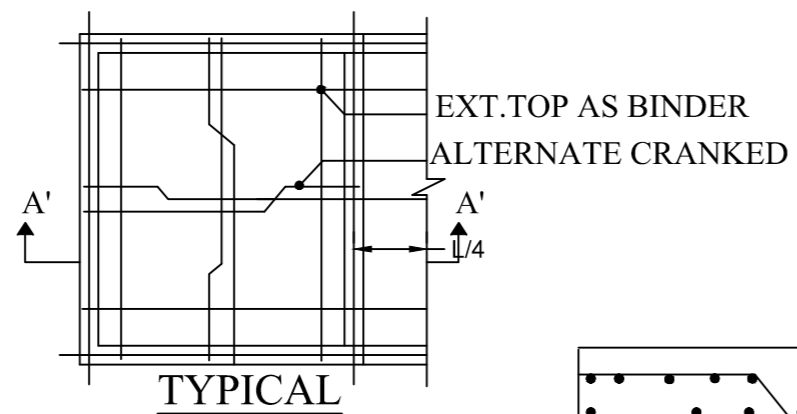
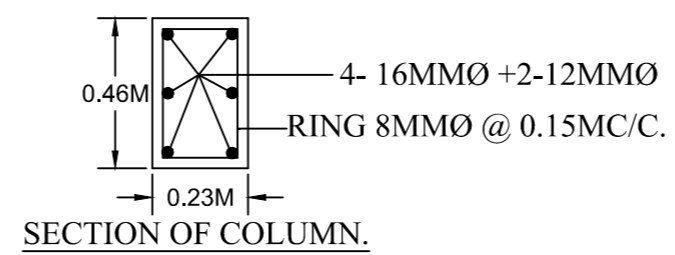


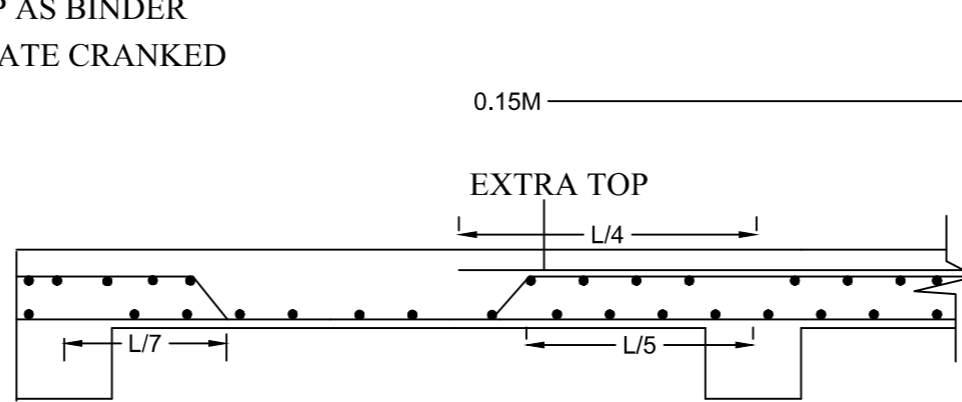
SECTION OF TYPICAL ROOF BEAM



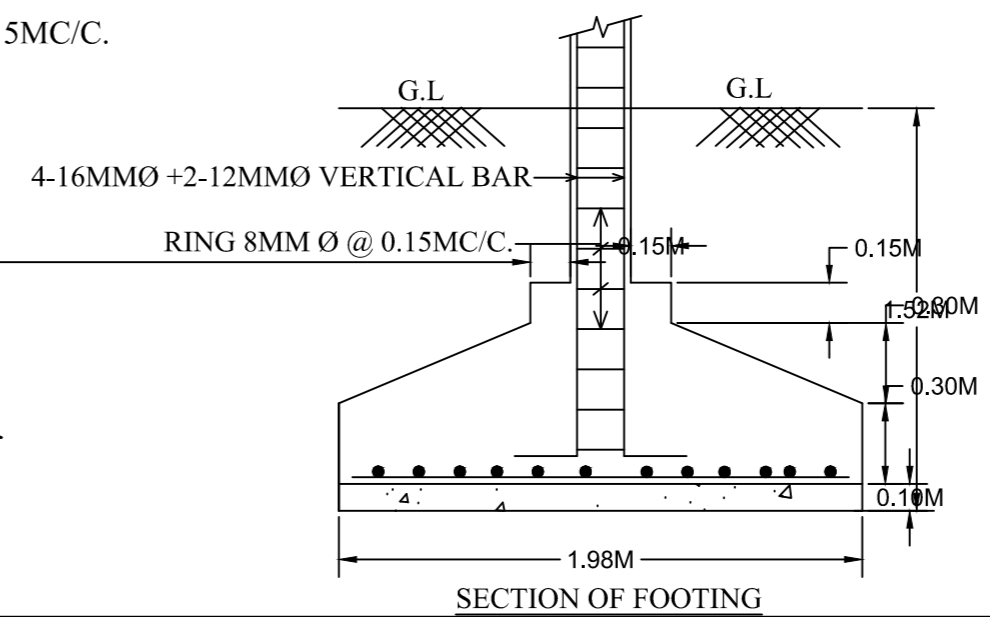
TYPICAL



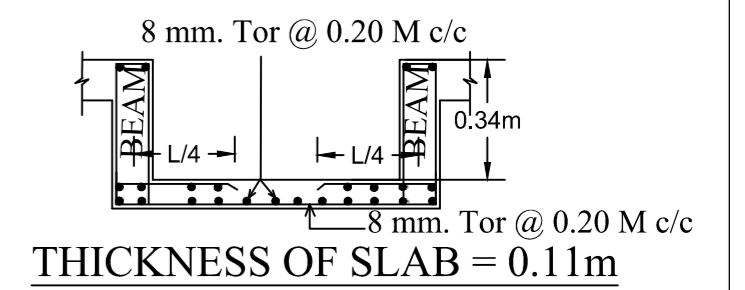
SECTION OF COLUMN.



SECTION OF SLAB AT A-A'



SECTION OF FOOTING



THICKNESS OF SLAB = 0.11m