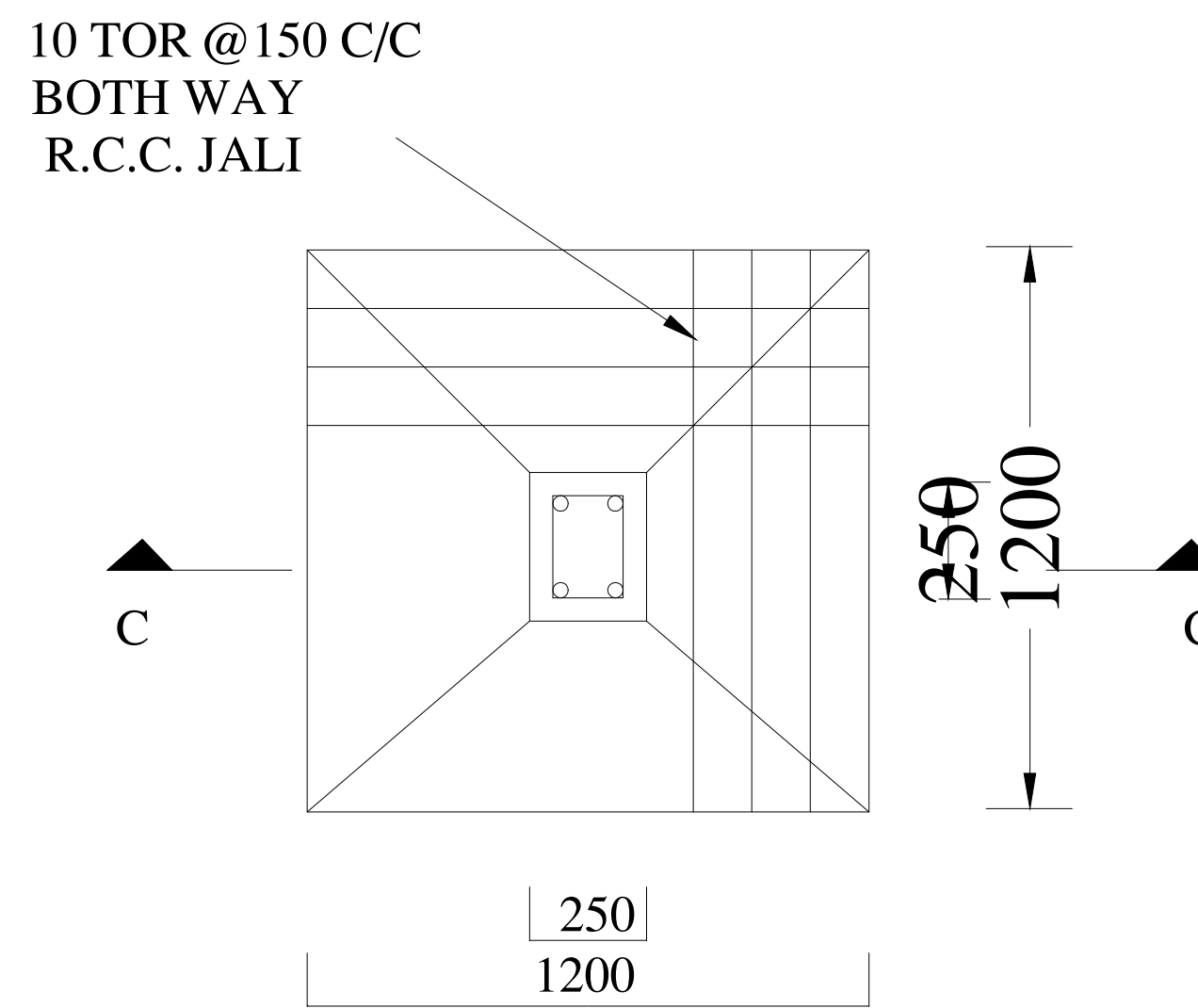
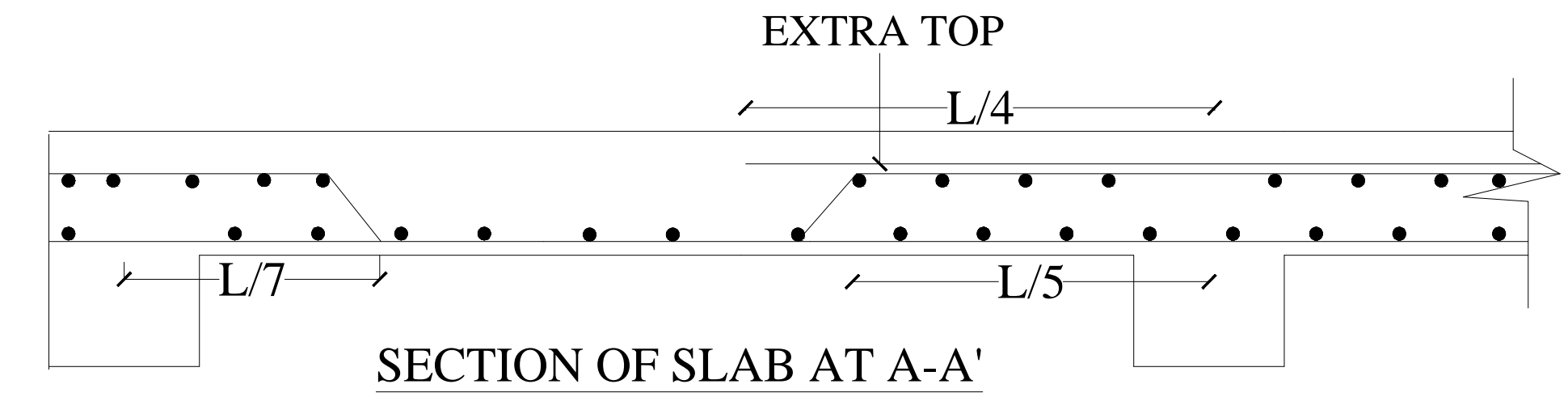


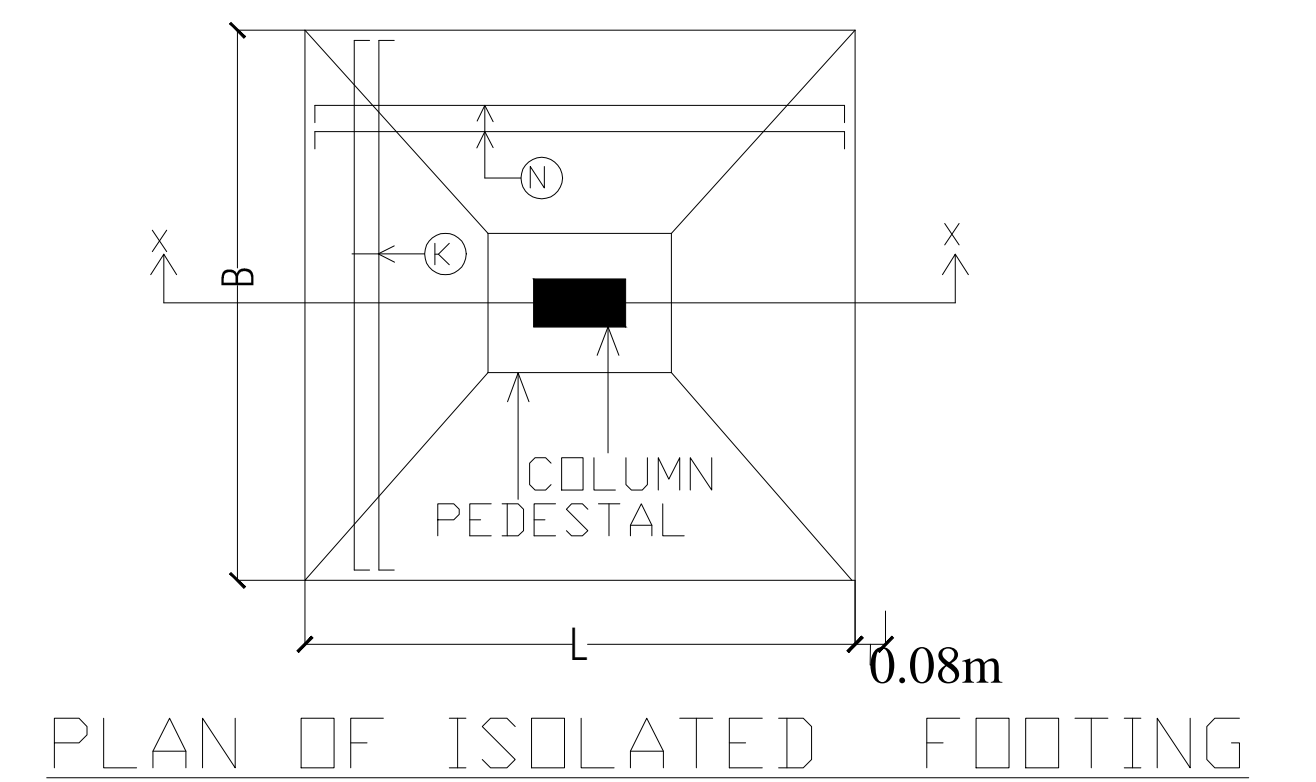
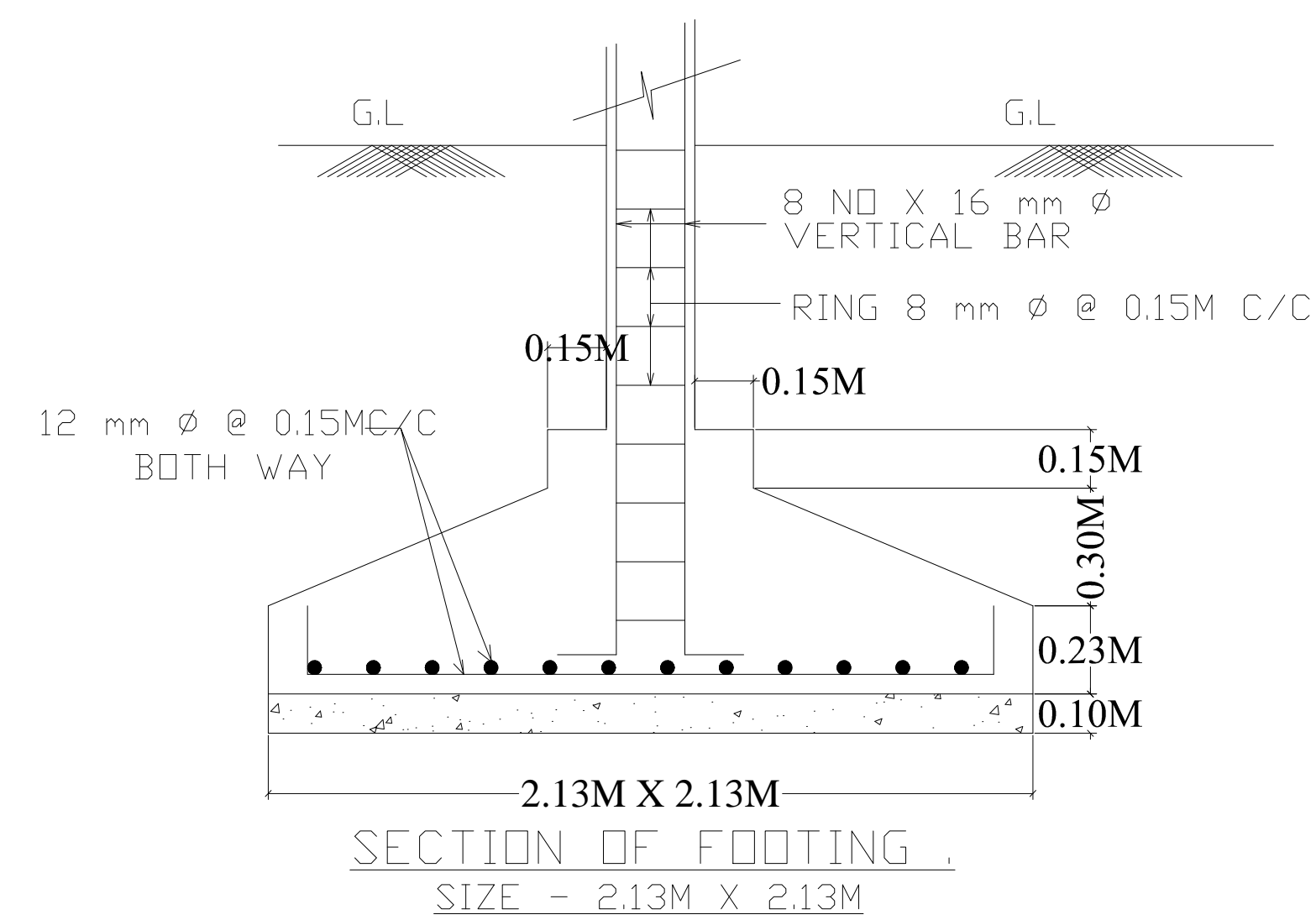
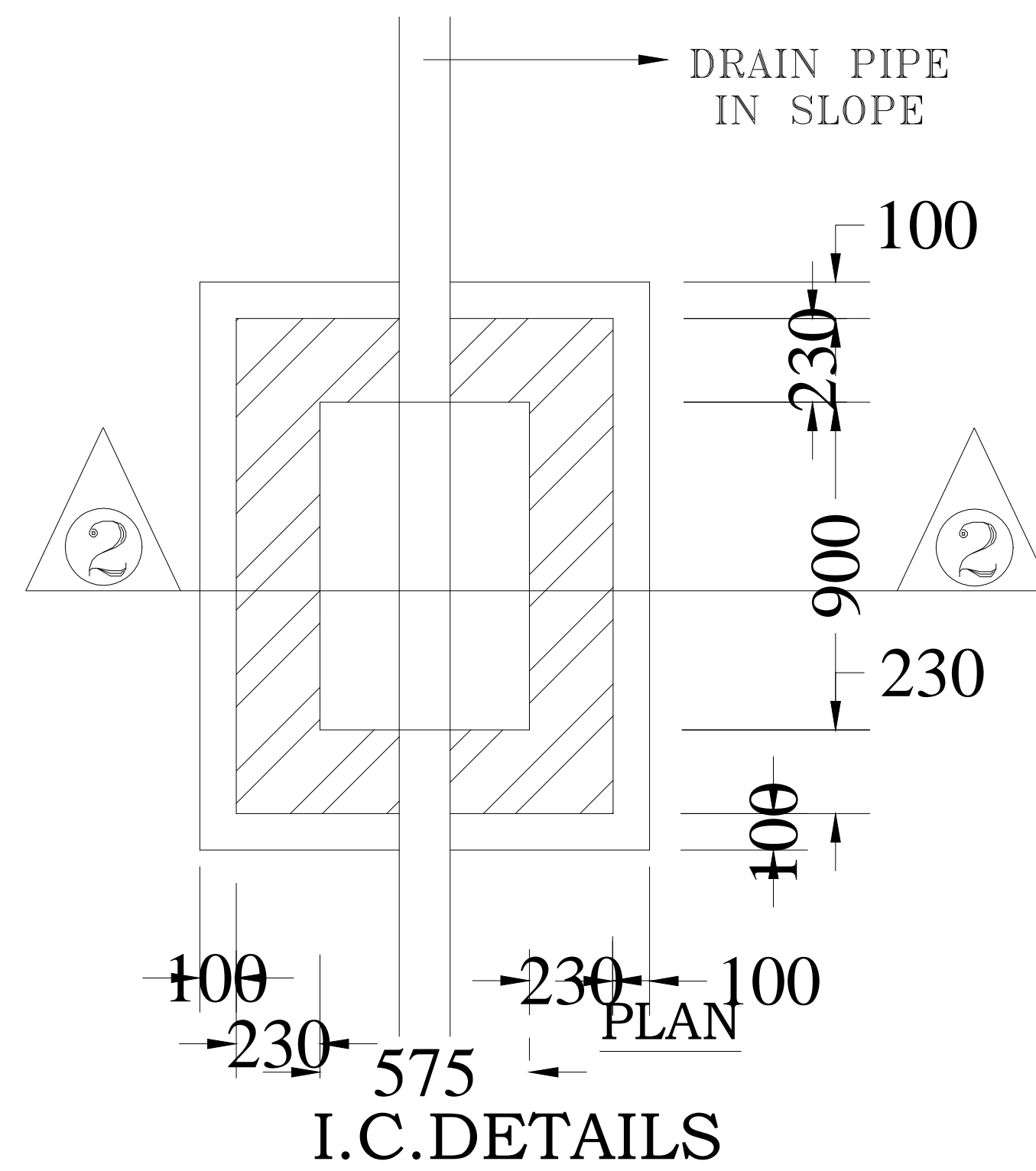
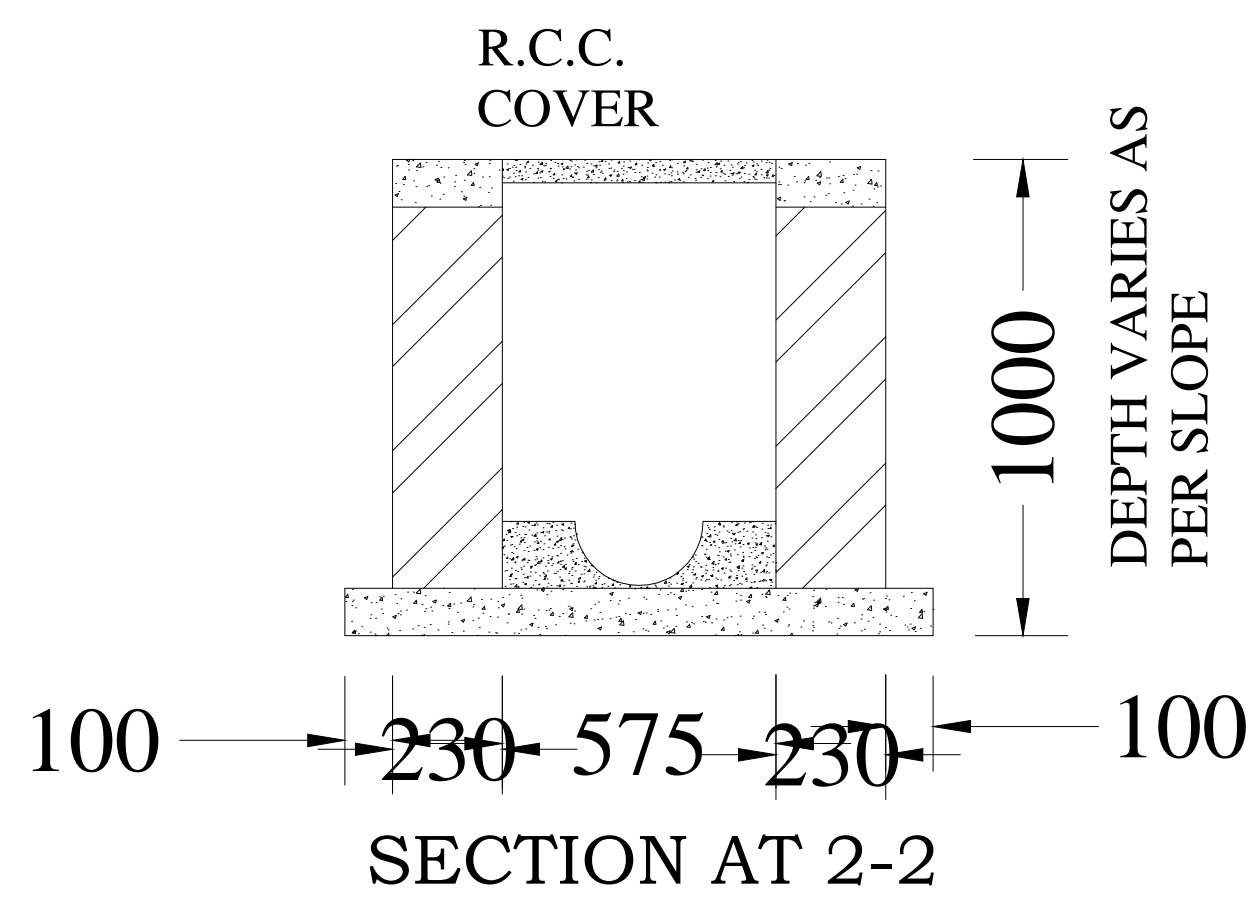
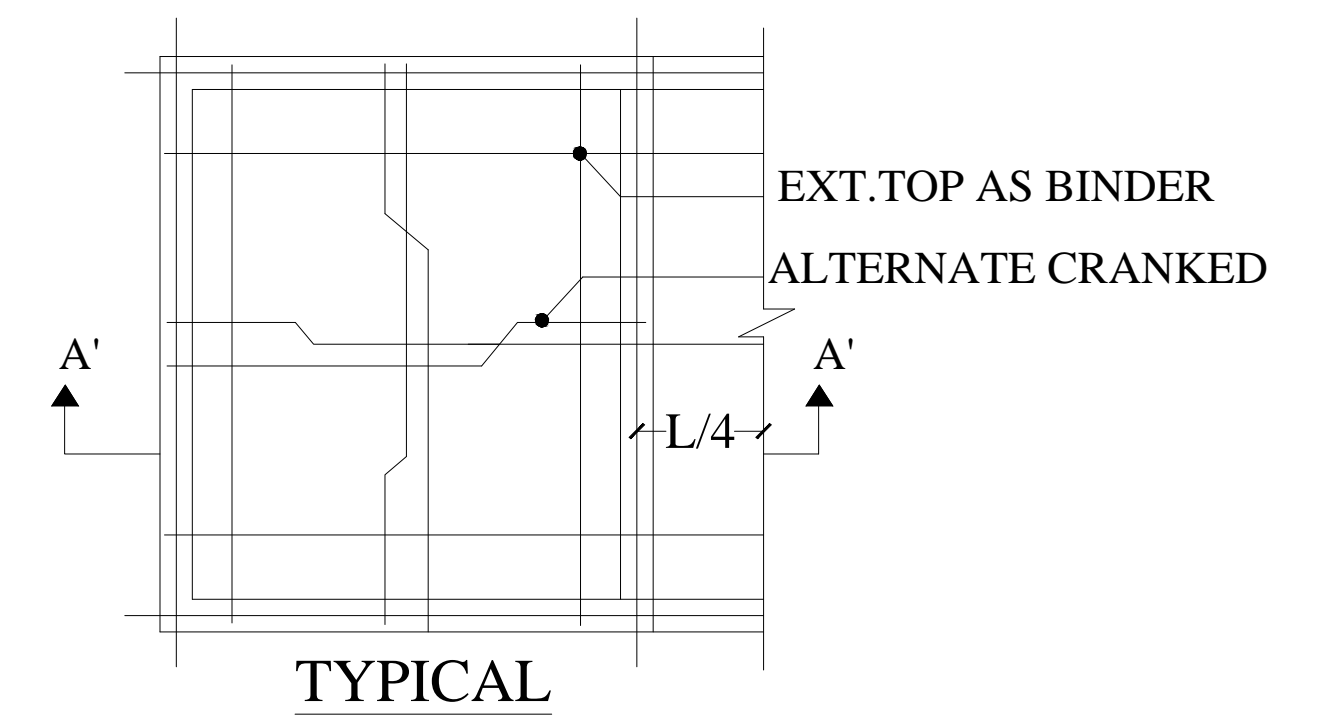
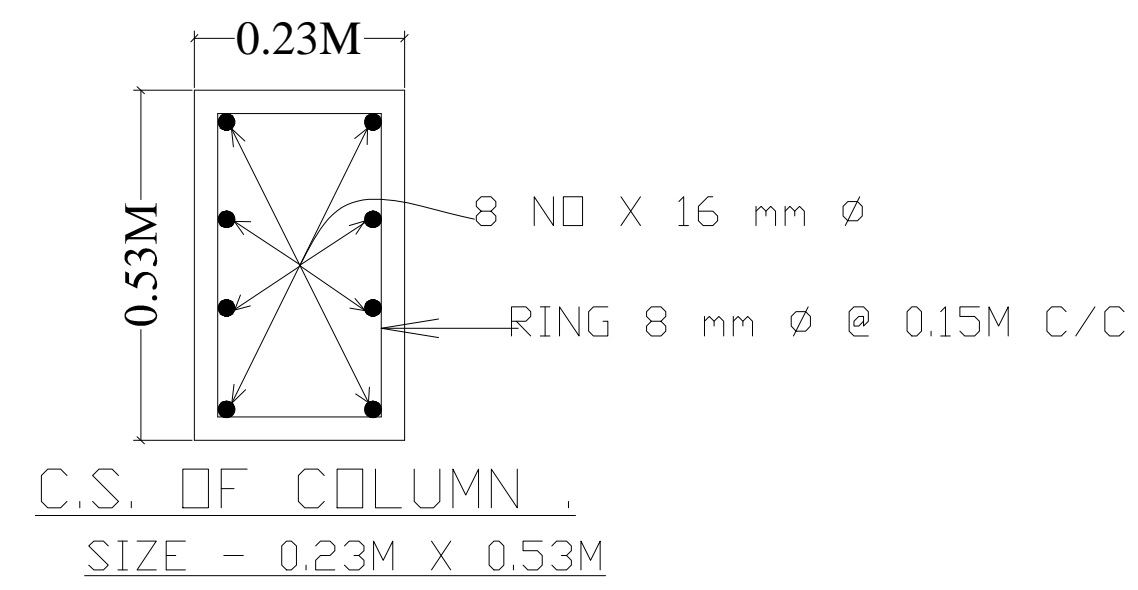
**SECTION -CC**



**PLAN  
DETAIL OF FOUNDATION**



**SECTION OF SLAB AT A-A'**



**STRUCTURE DETAIL**