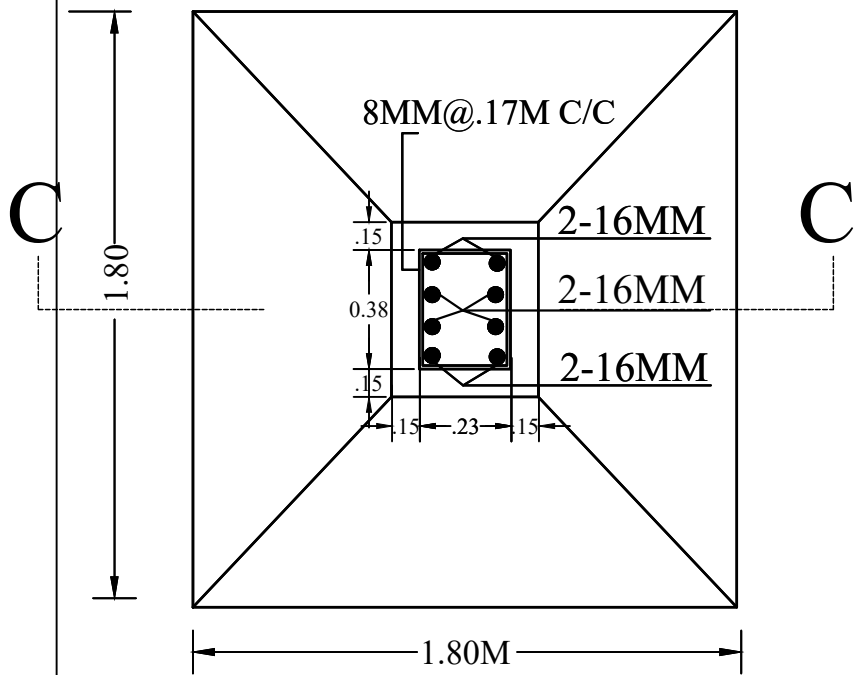


SECTION - CC
SCALE - 1:25



R.C.C. COL. FDN. PLAN
SCALE - 1:25

Structure Detail