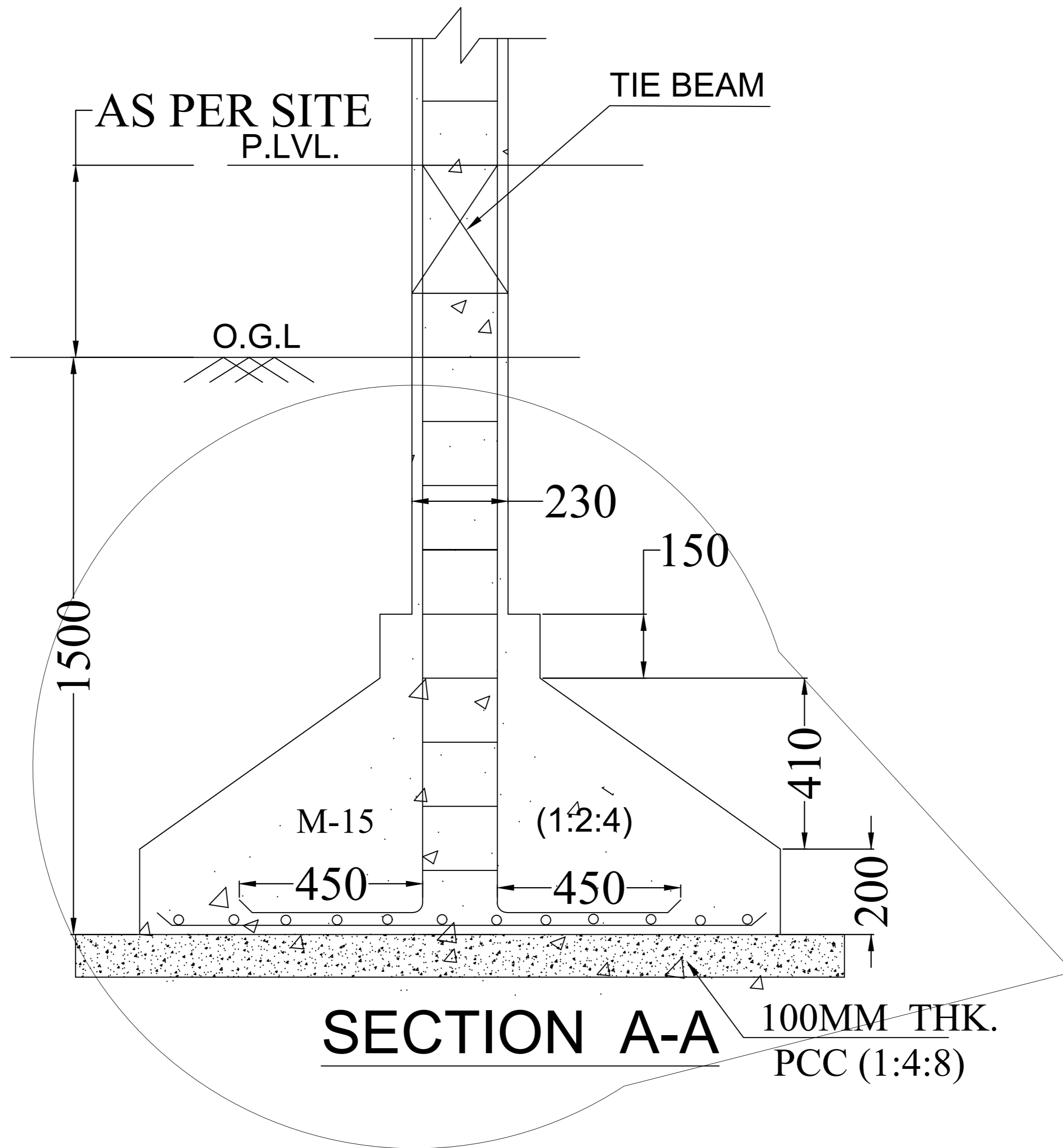
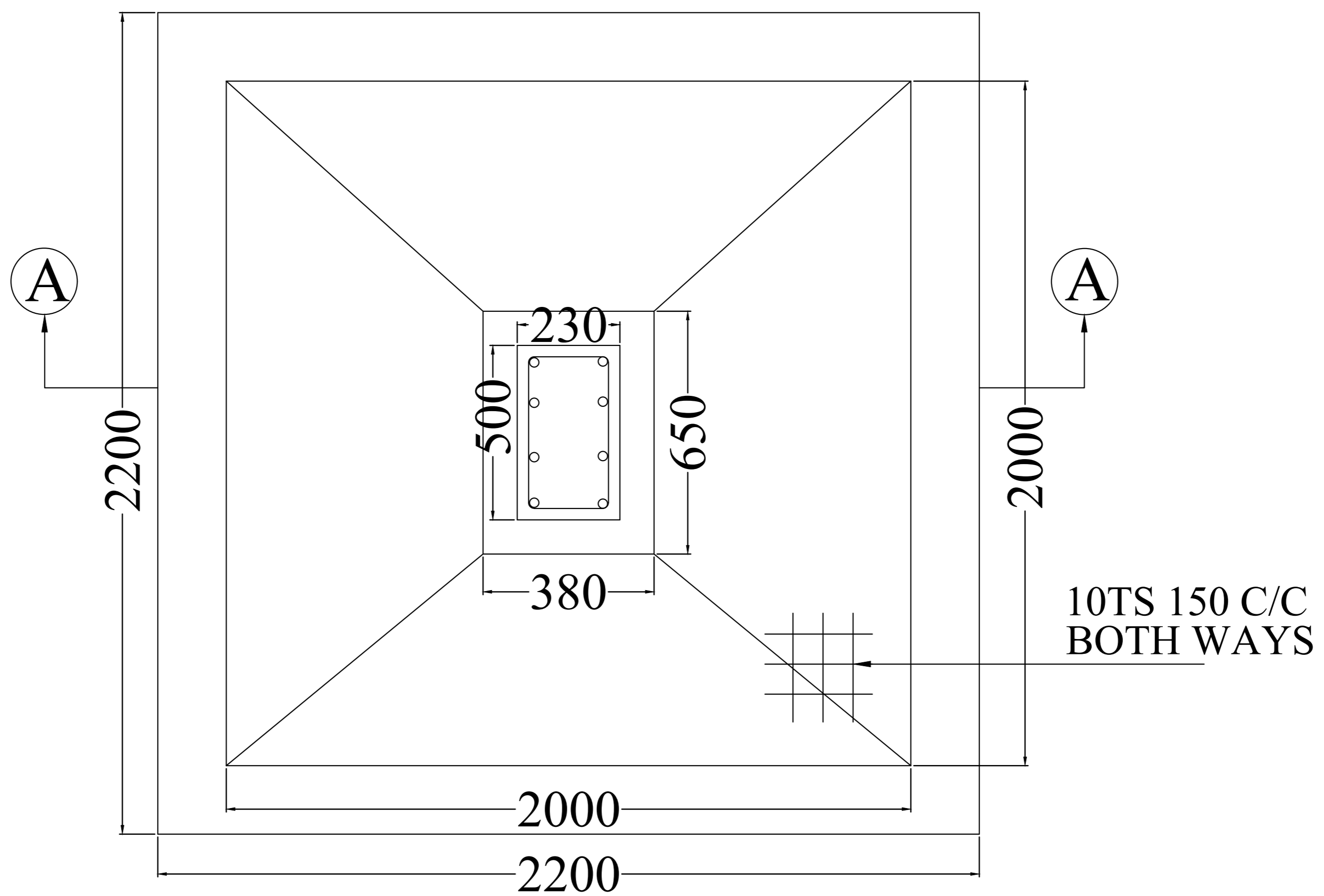


**C/S OF COL.**



**SECTION A-A**



**PLAN**

**FOOTING PLAN (AS/STRL. DESIGN)  
SCALE N.T.S**