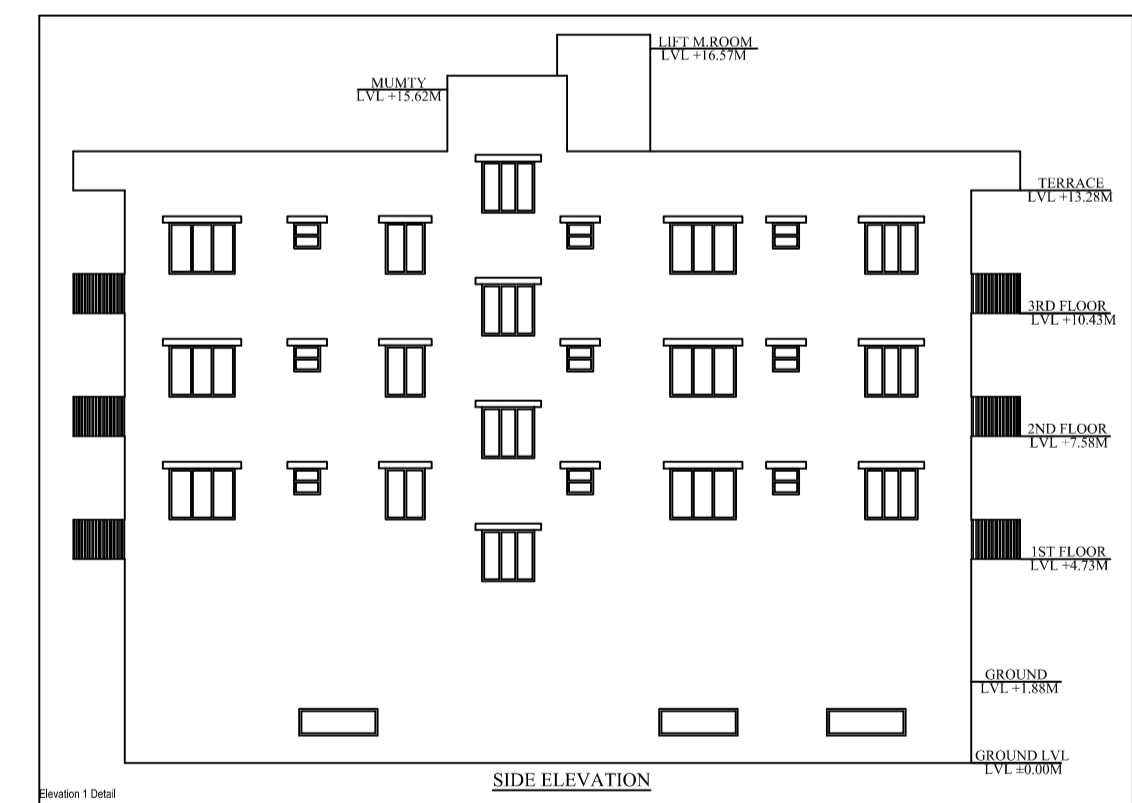
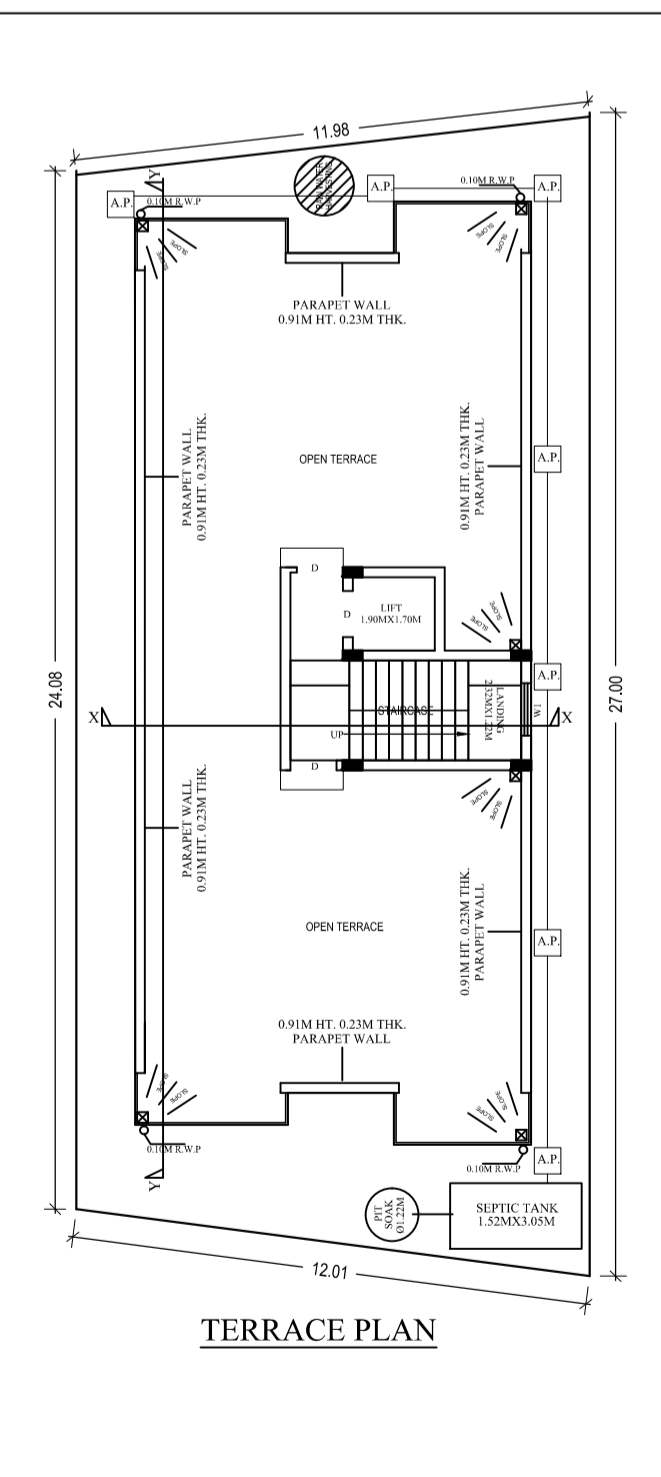
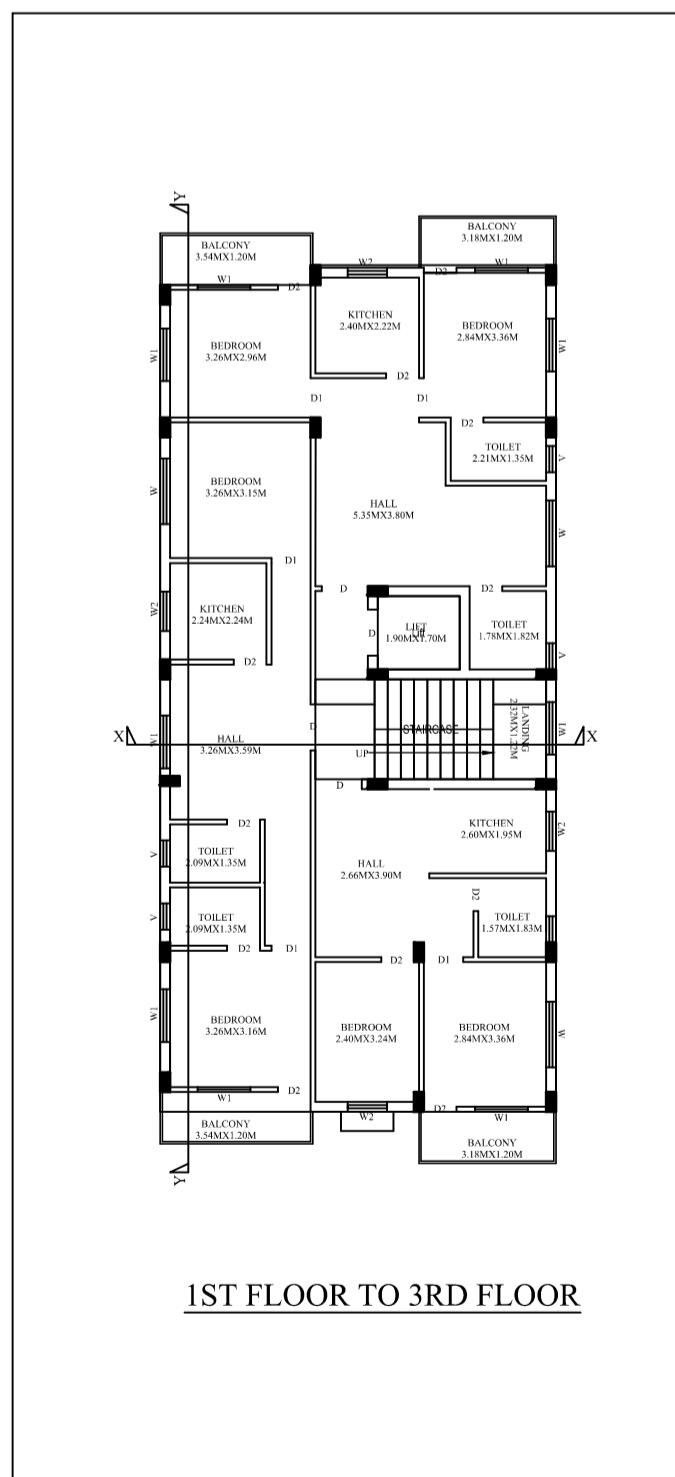
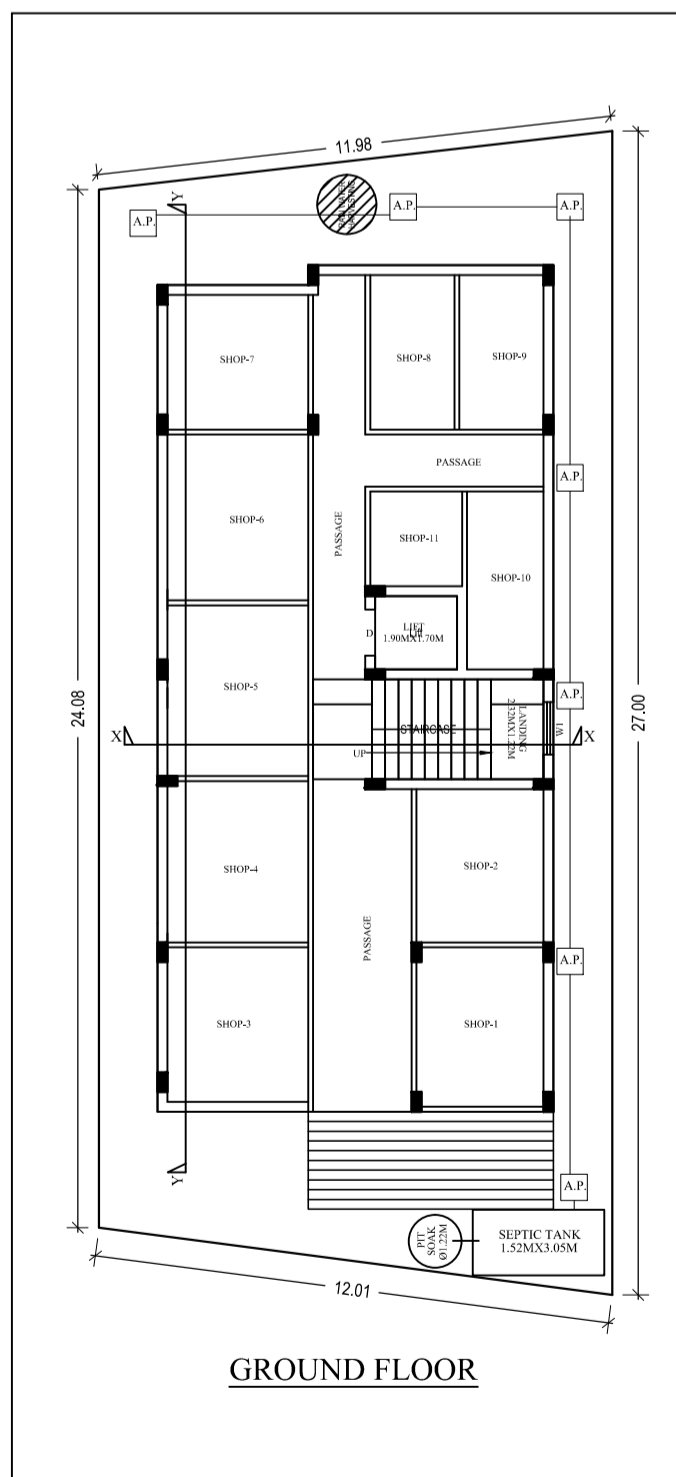
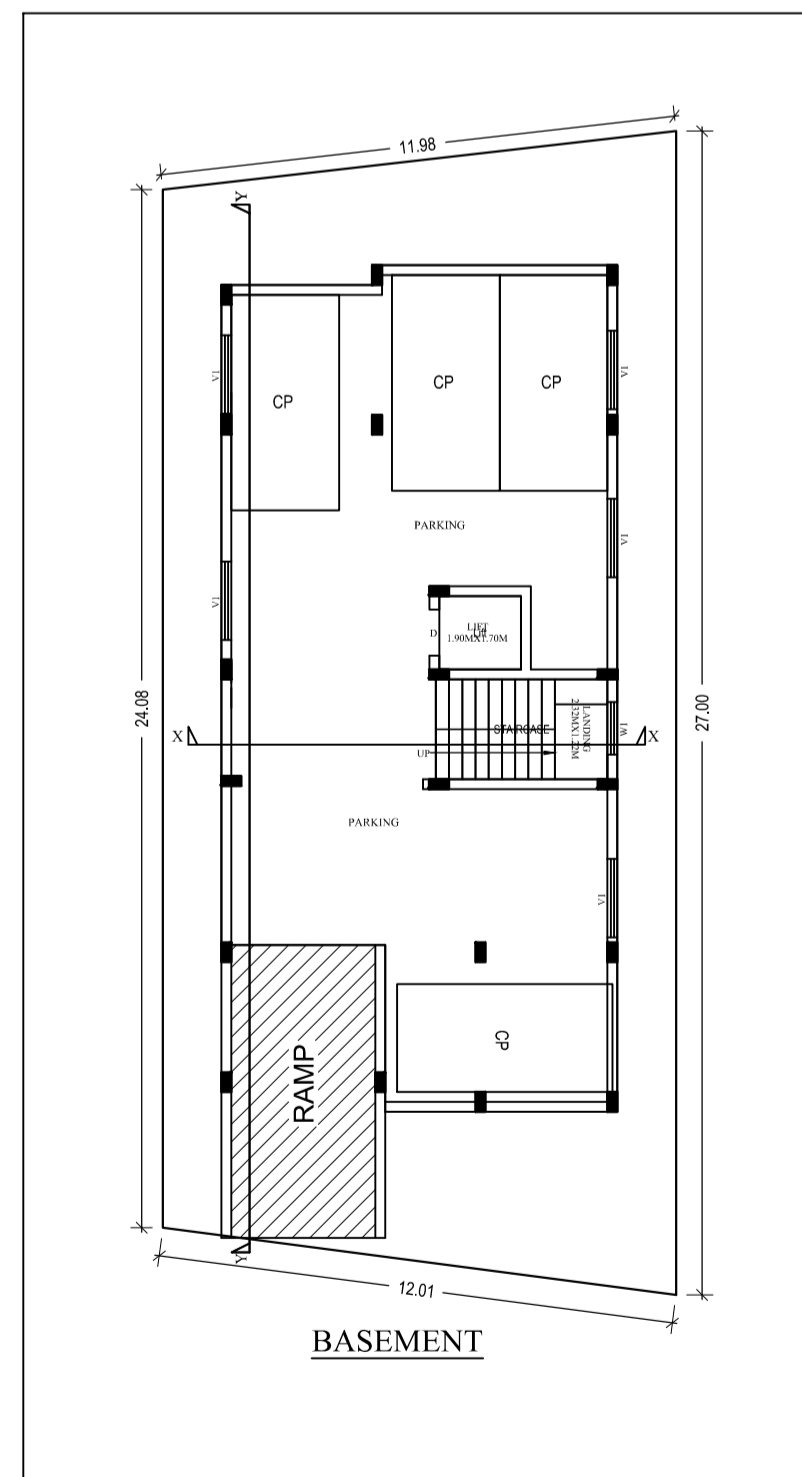
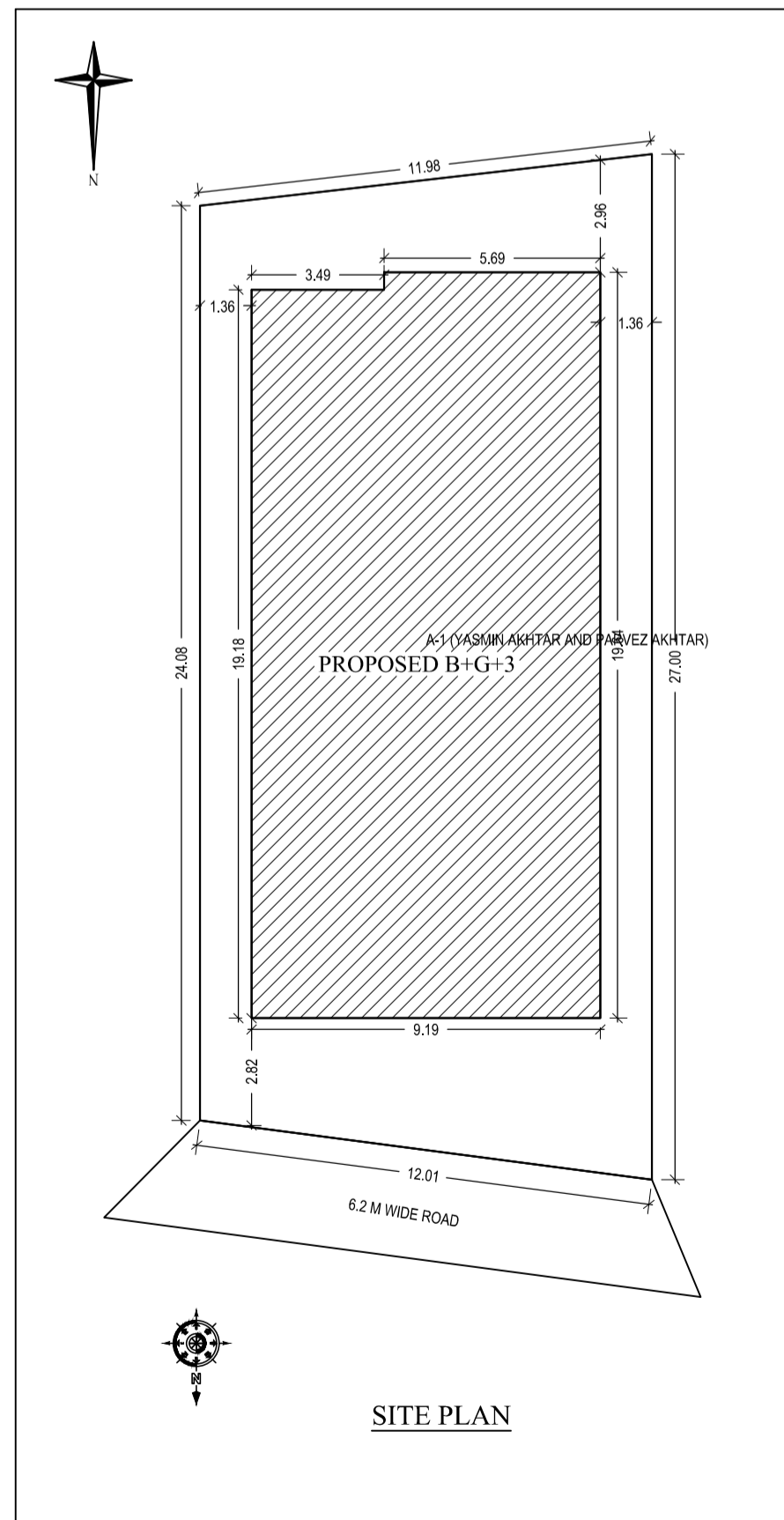
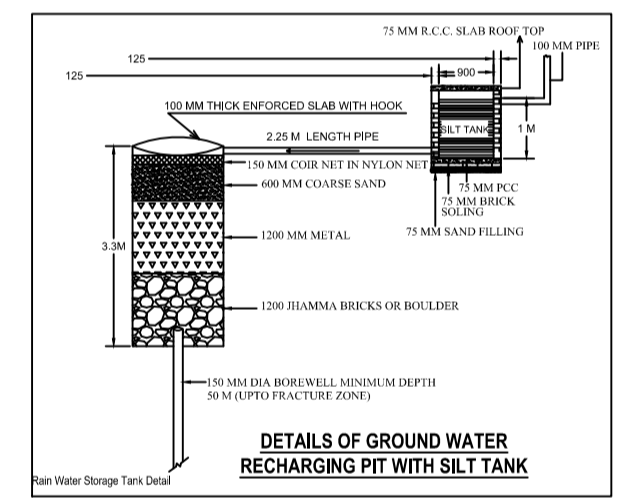
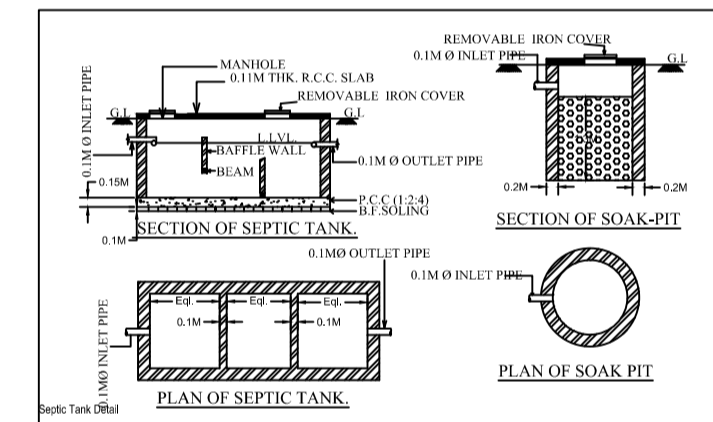
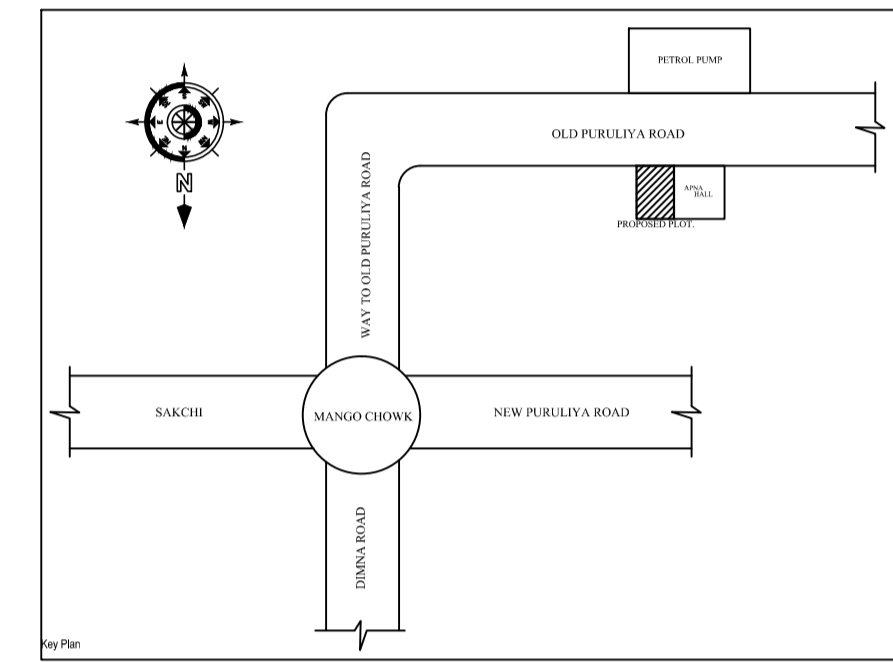
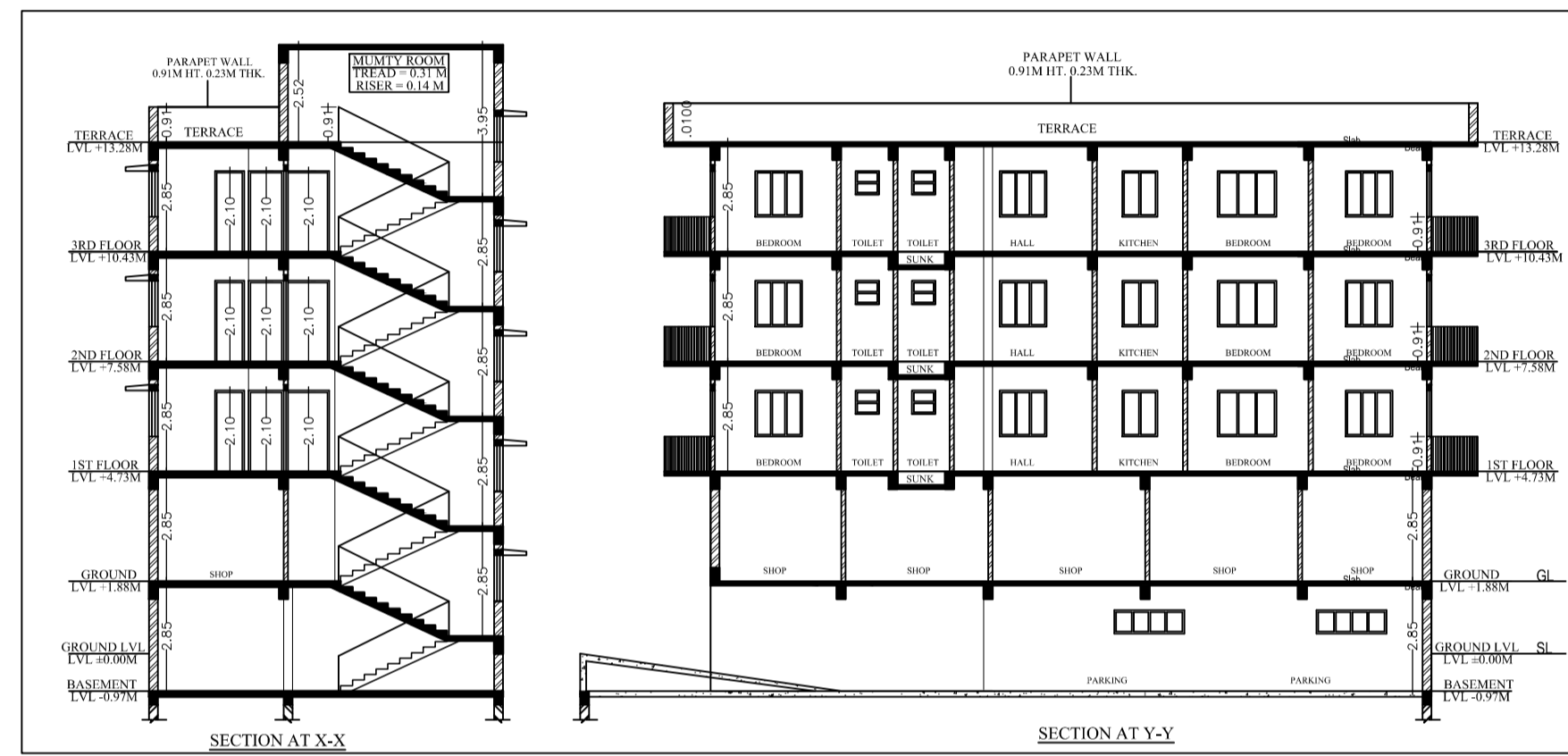
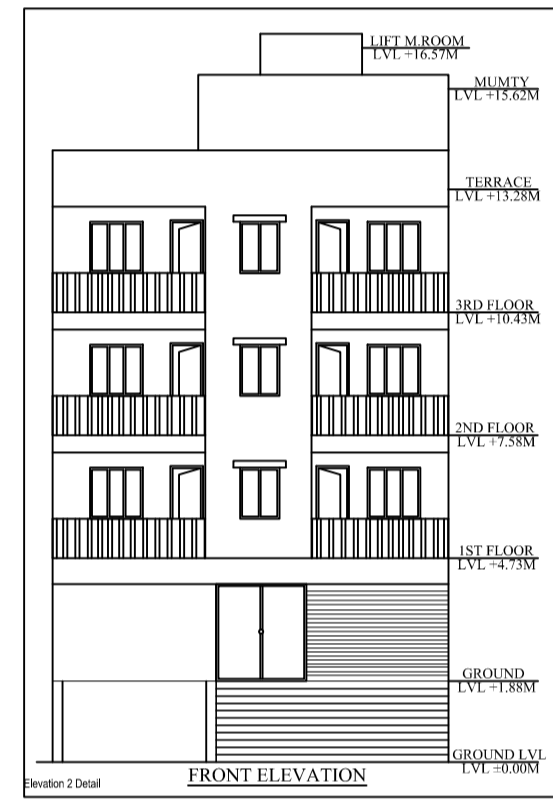
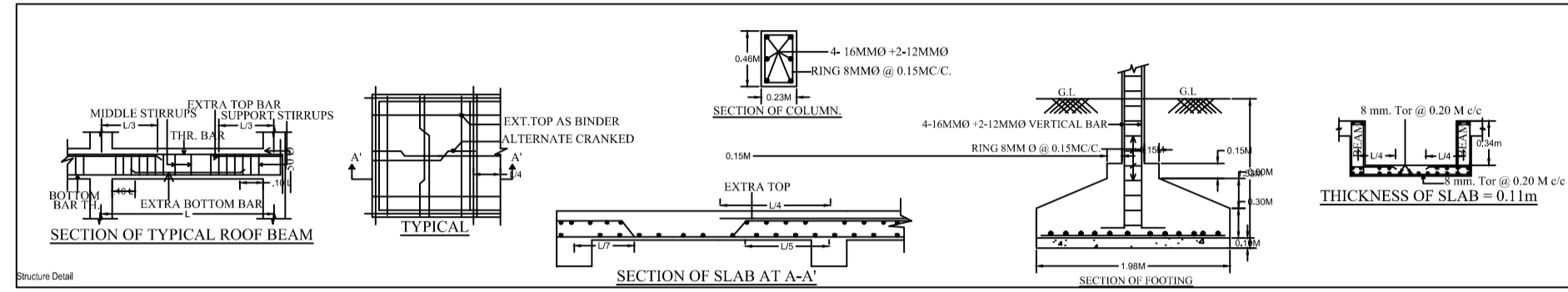


Project Title: YASMIN AKHTAR AND PARVEZ AKHTAR

SCHEDULE OF OPENINGS		
MKD.	SIZE	DESCRIPTION
D	1.07M X 2.13M	Pannelled single shutter door.
D1	0.92M X 2.13M	Pannelled single shutter door.
D2	0.76M X 2.13M	Pannelled single shutter door.
W	1.52M X 1.22M	Glazed steel framed window 3. shutt.
W1	1.22M X 1.22M	Glazed steel framed window 3. shutt.
W2	0.91M X 1.22M	Glazed steel framed window 3. shutt.
V	0.61M X 0.61M	Ventilator
V1	AS PER DETAIL	Ventilator



A (YASMIN AKHTAR AND PARVEZ AKHTAR)