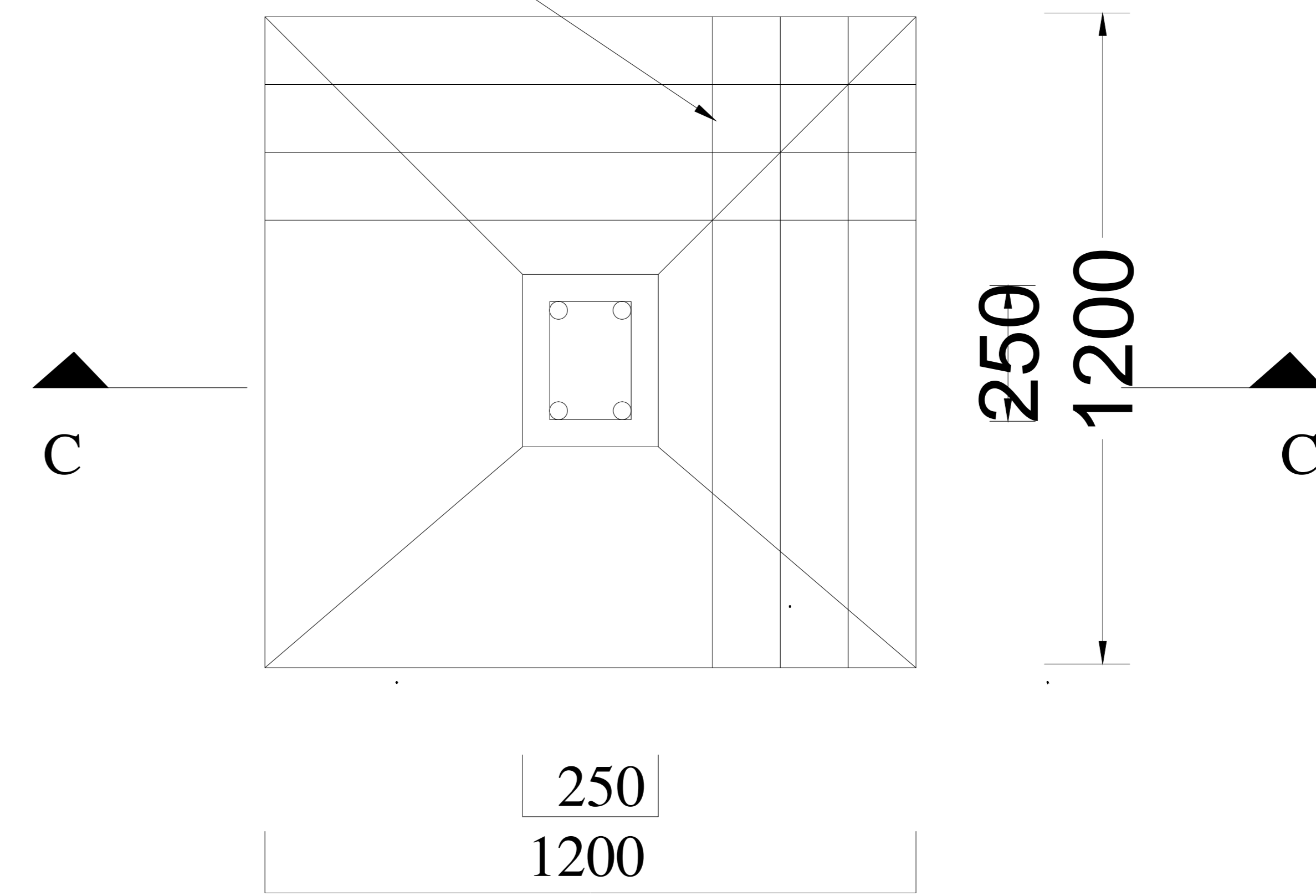


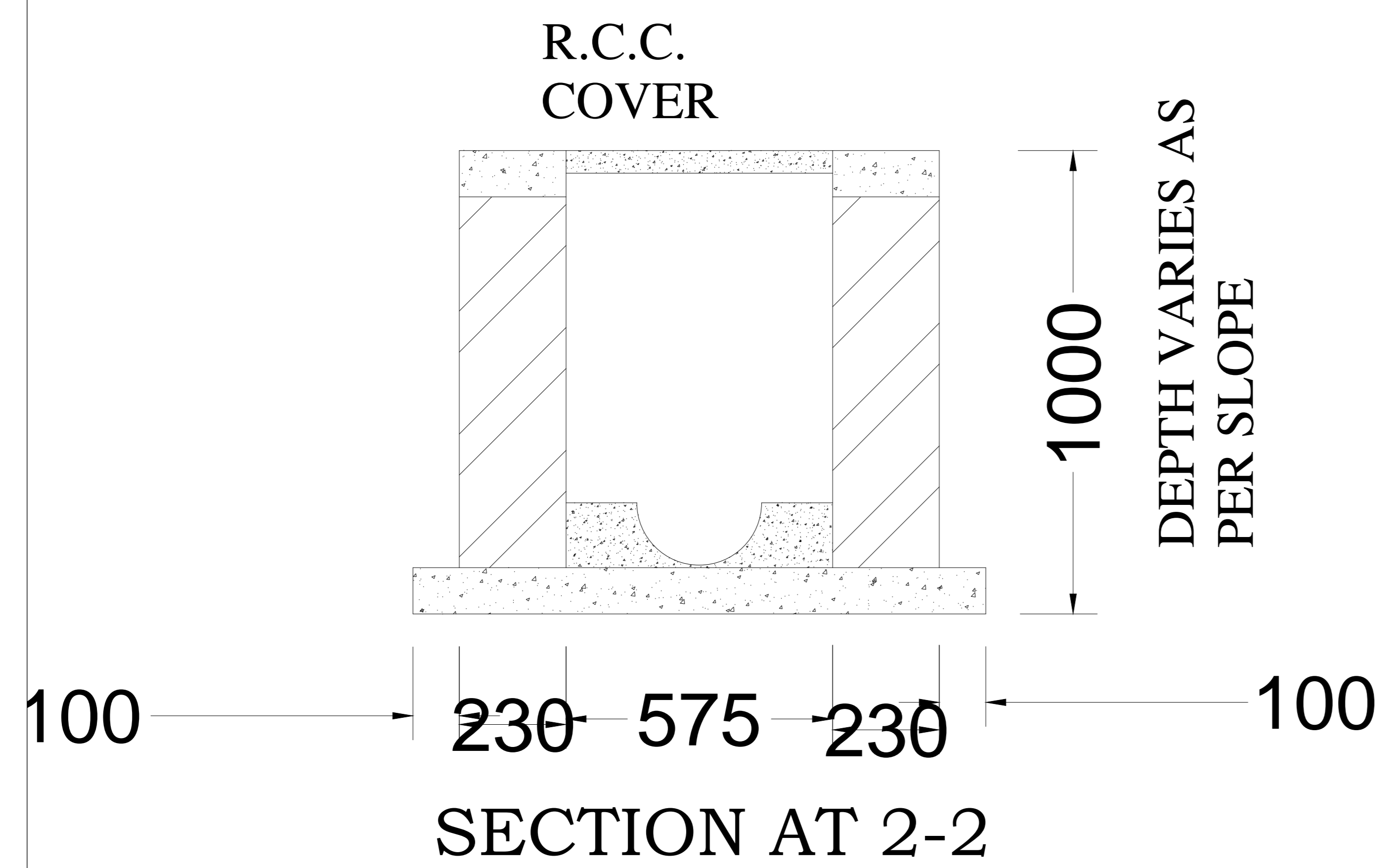
SECTION -CC

10 TOR @ 150 C/C
BOTH WAY
R.C.C. JALI



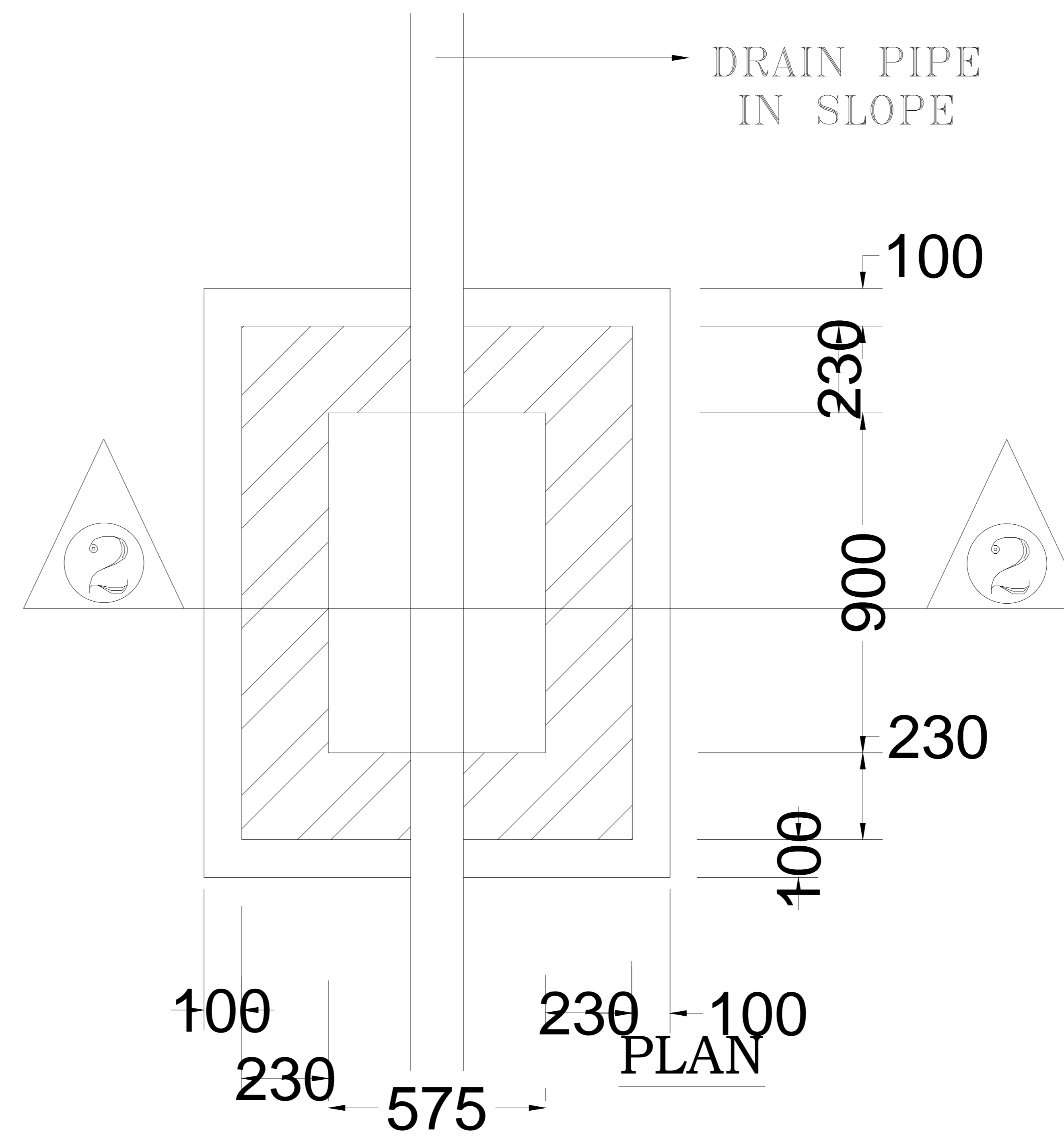
PLAN

DETAIL OF FOUNDATION



SECTION AT 2-2

STRUCTURE DETAIL



PLAN

I.C. DETAILS