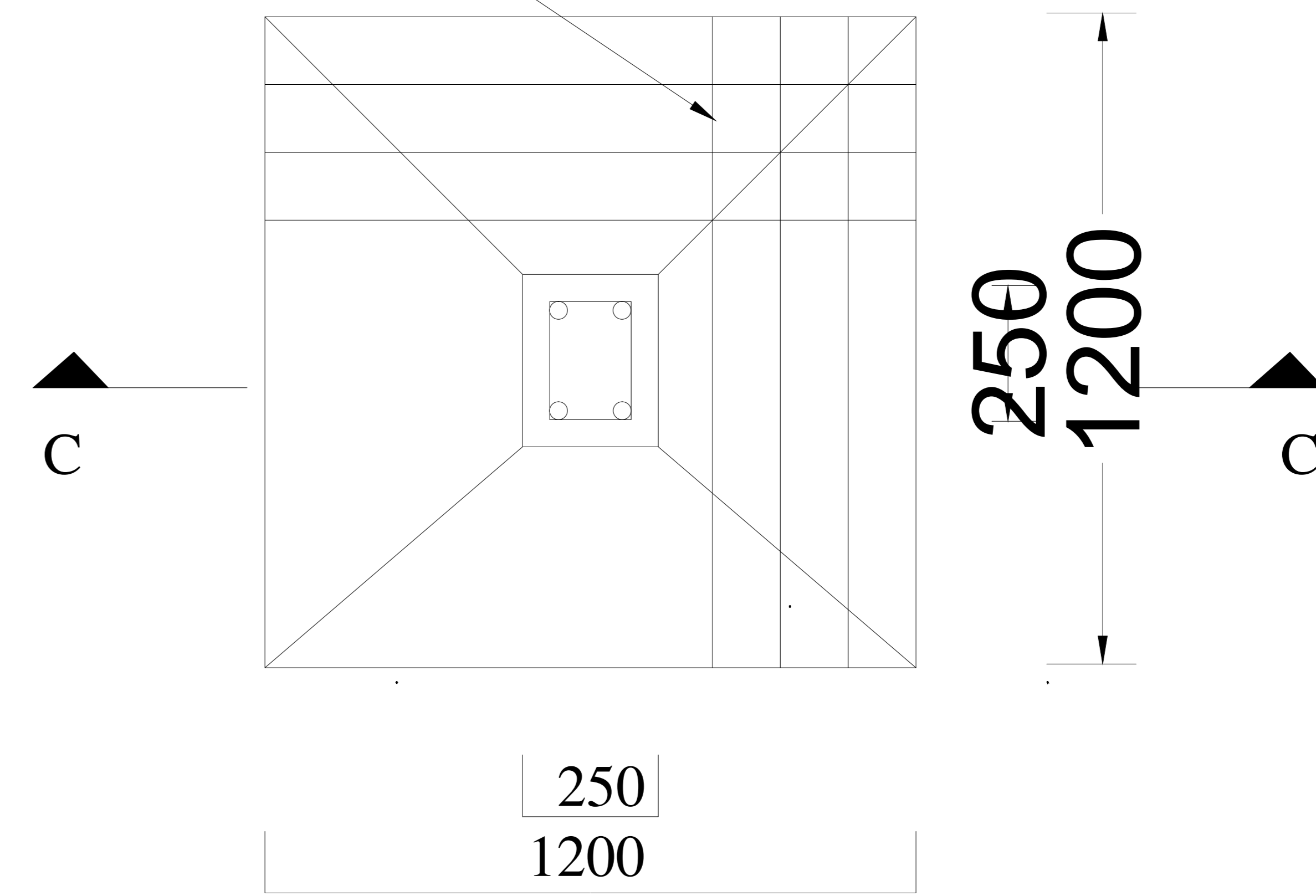


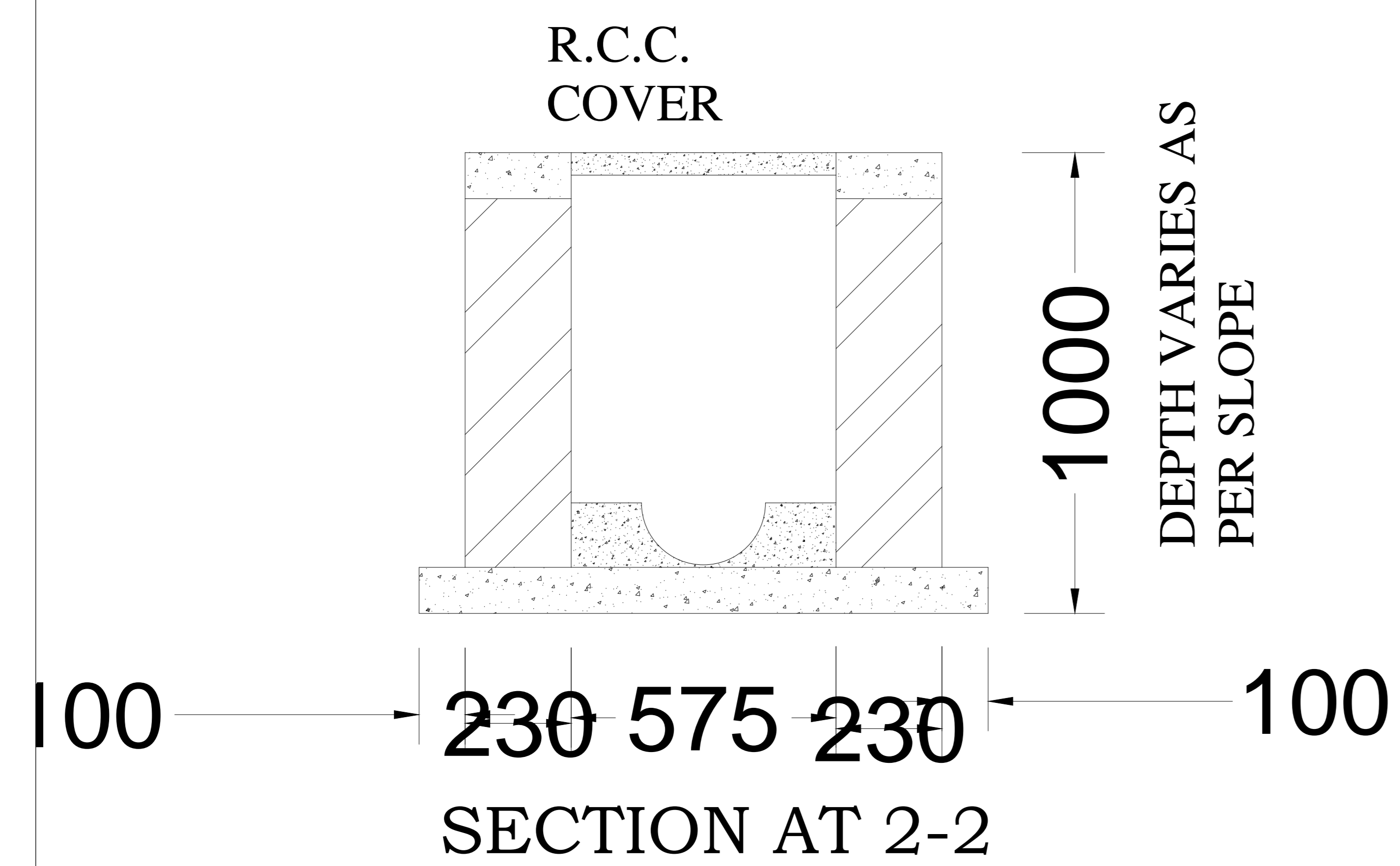
SECTION -CC

10 TOR @ 150 C/C
BOTH WAY
R.C.C. JALI

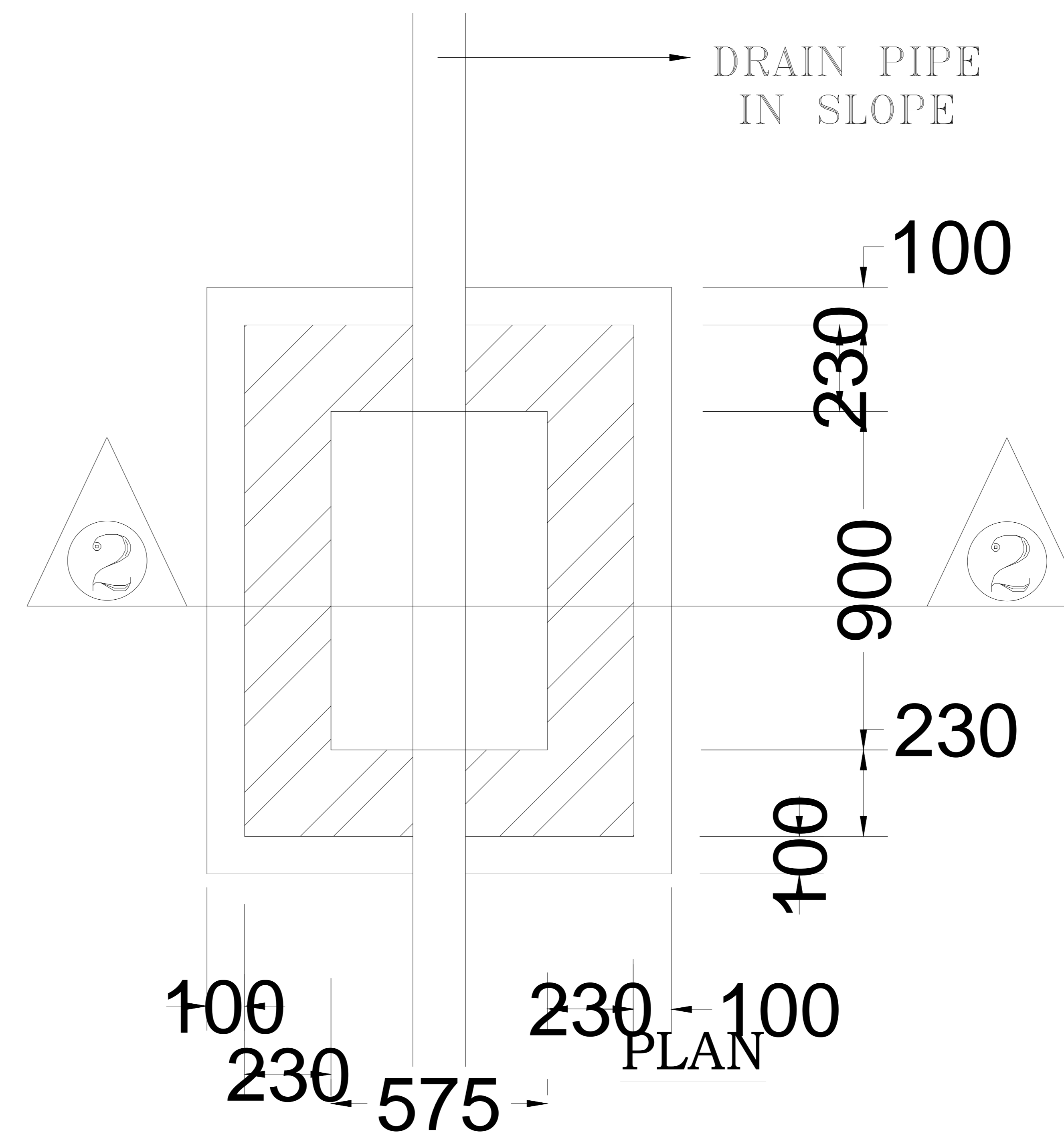


PLAN

DETAIL OF FOUNDATION



STRUCTURE DETAIL



I.C. DETAILS