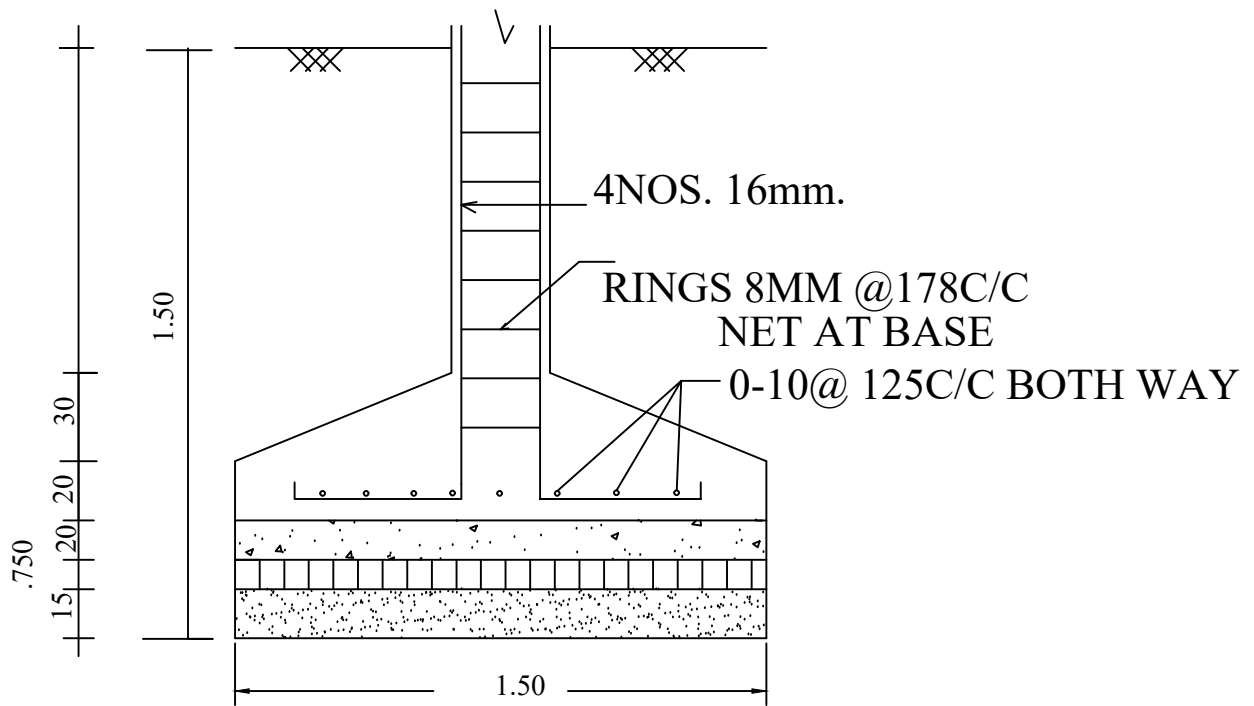


PLAN OF COLUMN



SECTION ELEVATION