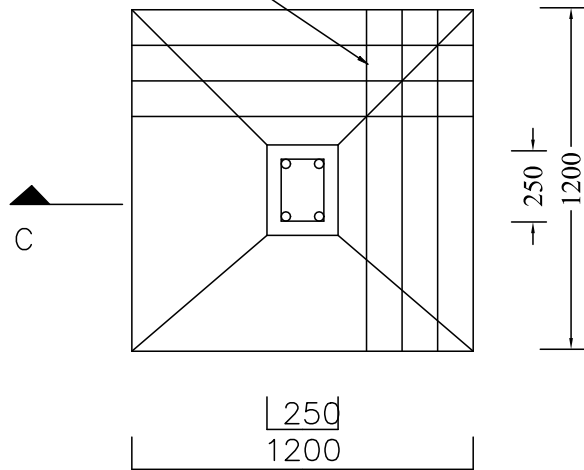
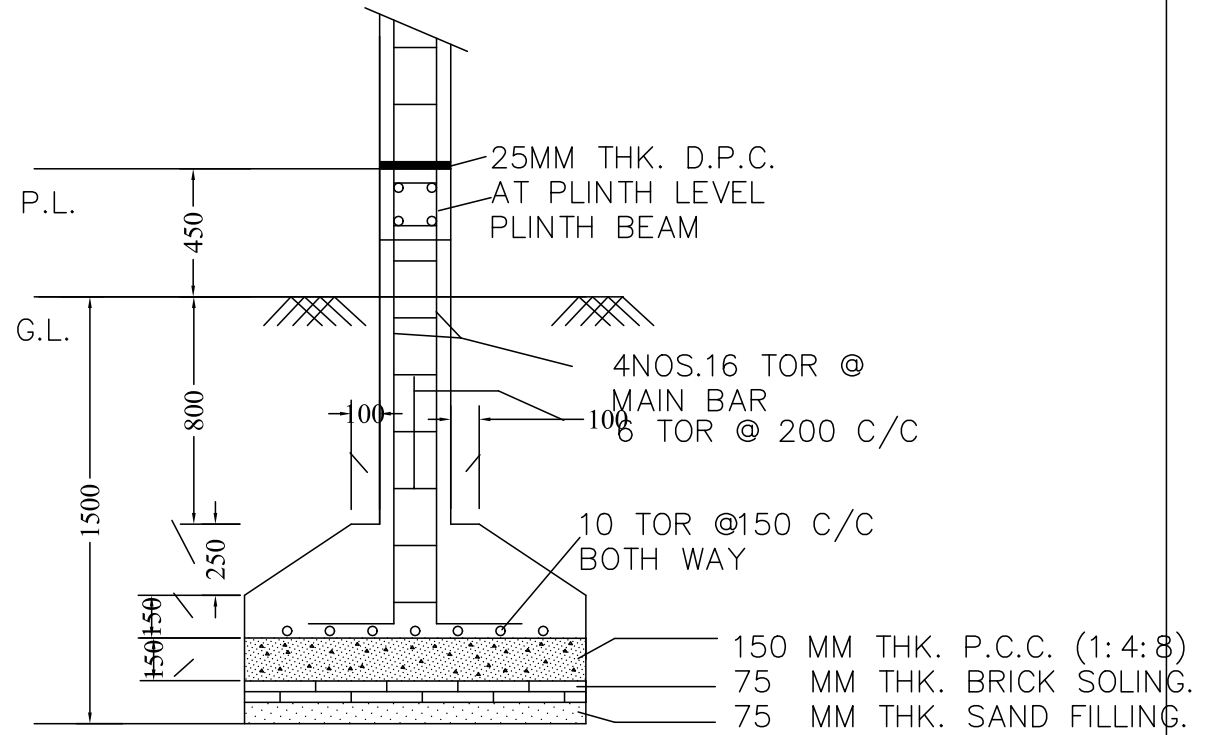


10 TOR @150 C/C  
BOTH WAY  
R.C.C. JALI



PLAN

# DETAIL OF FOUNDATION Structure Detail



SECTION -CC