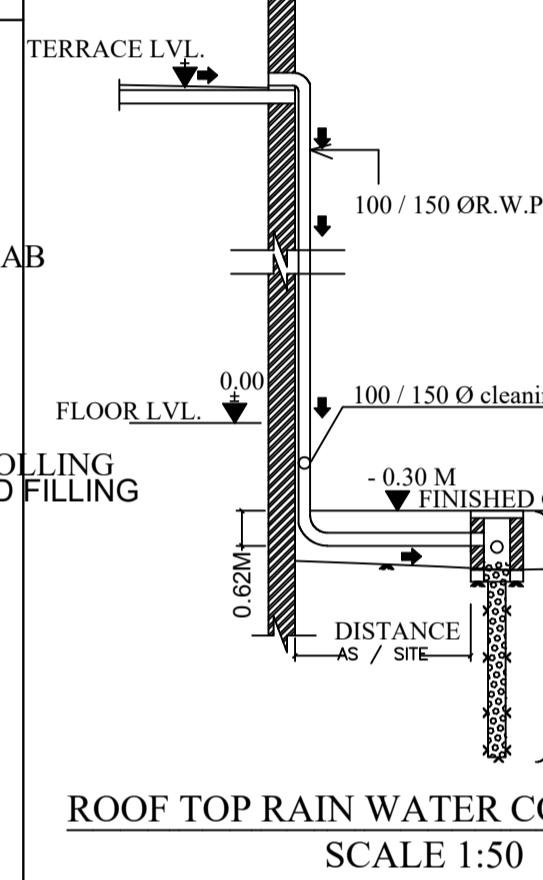
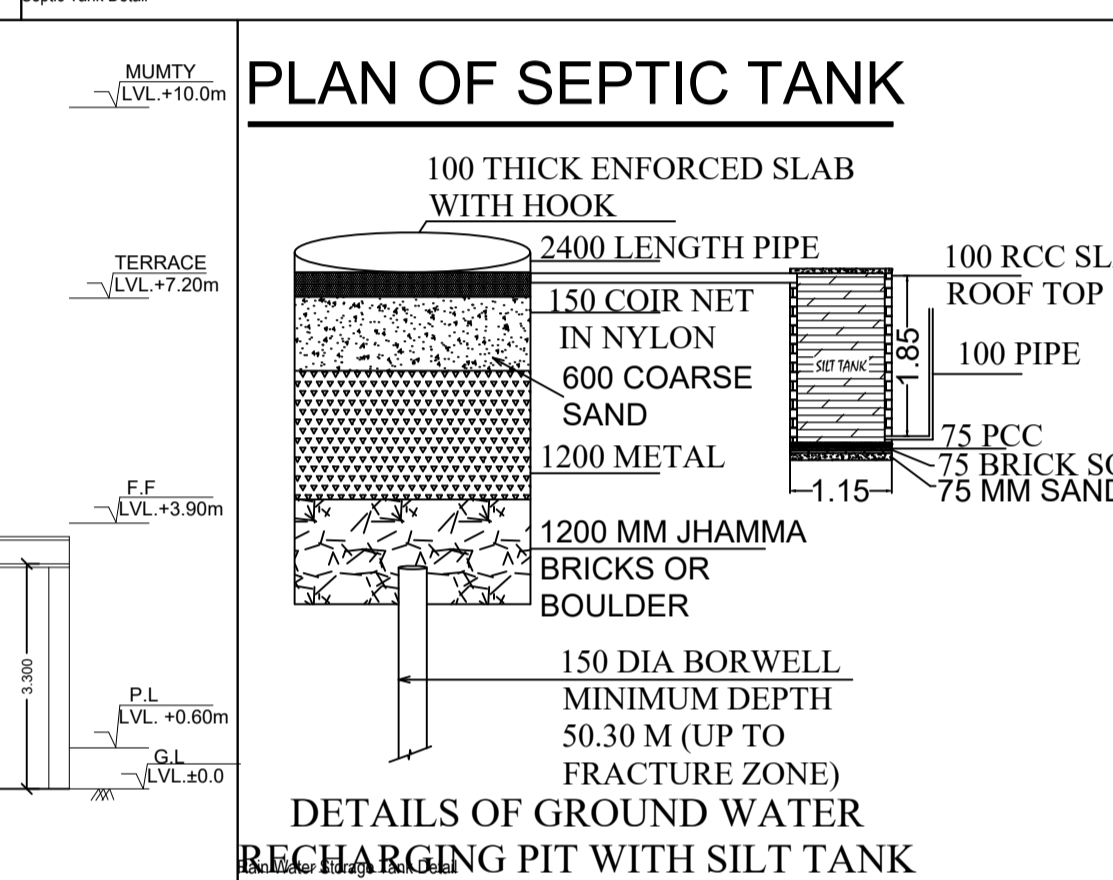
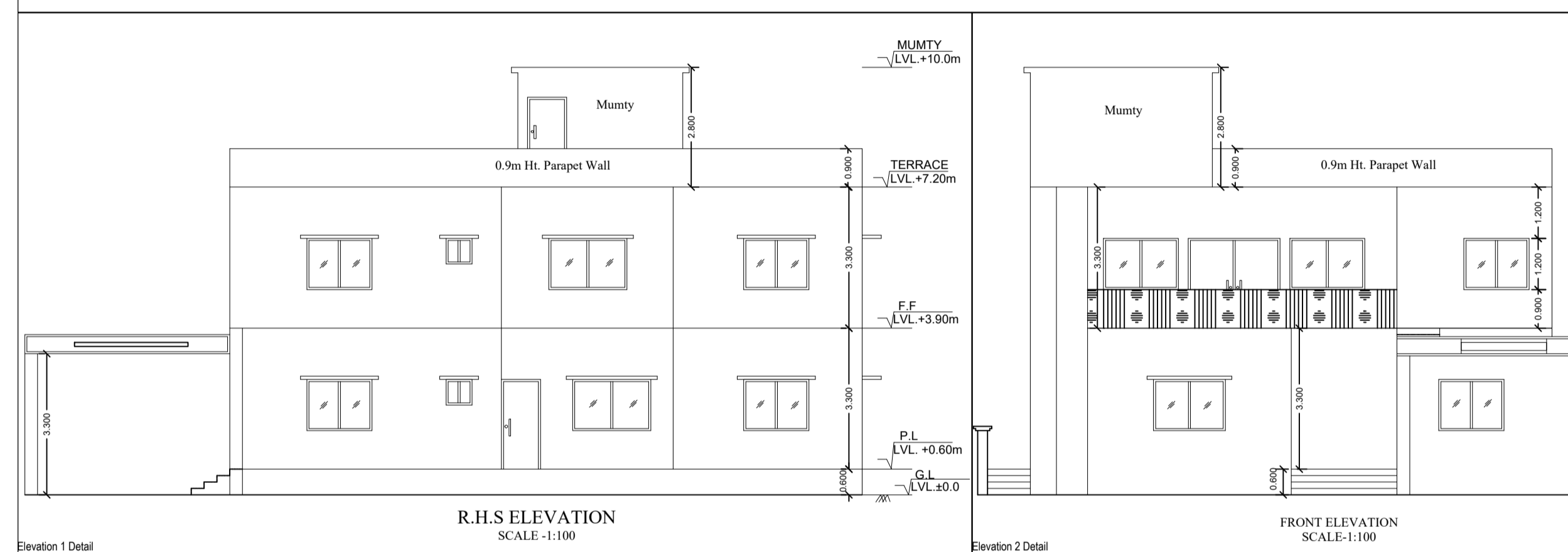
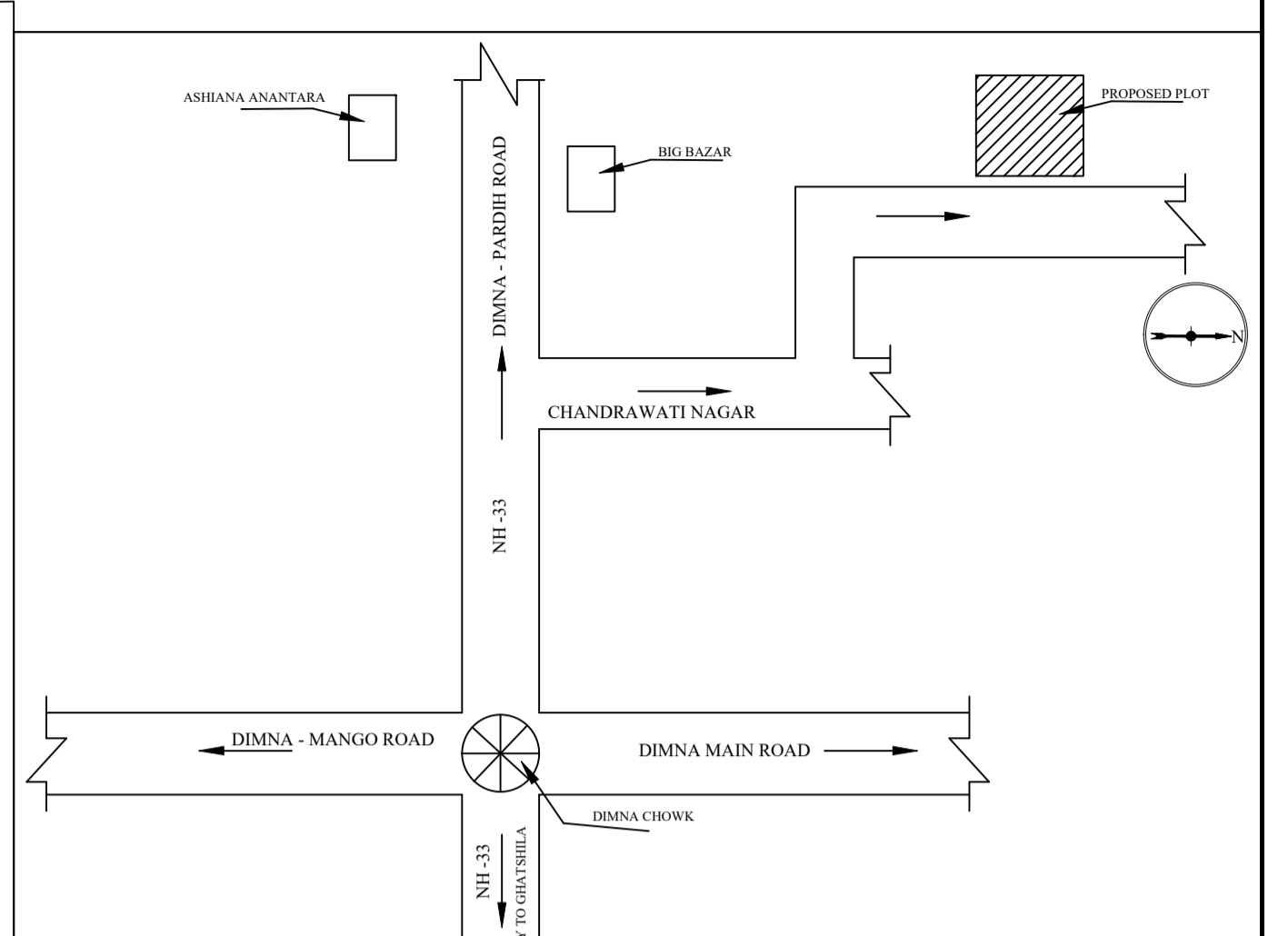
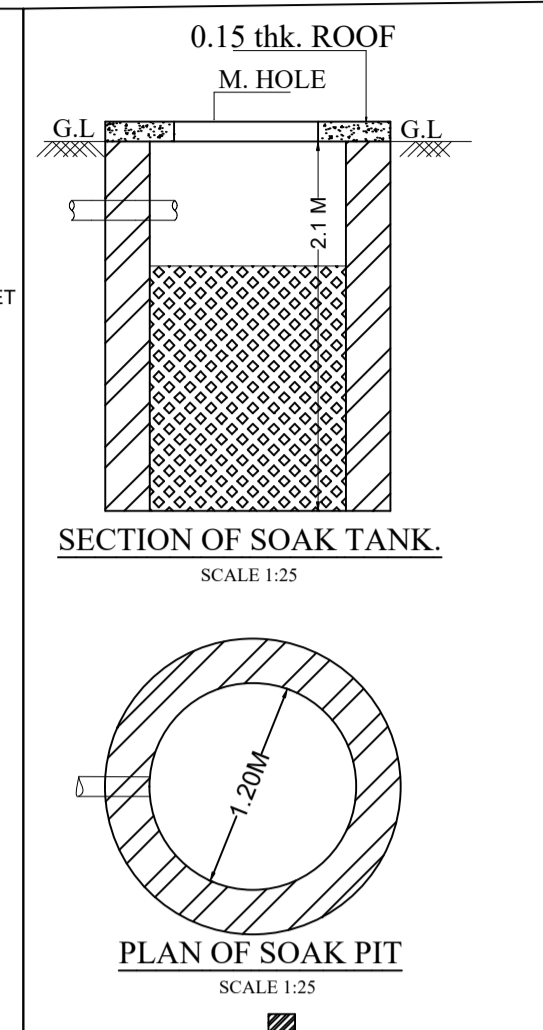
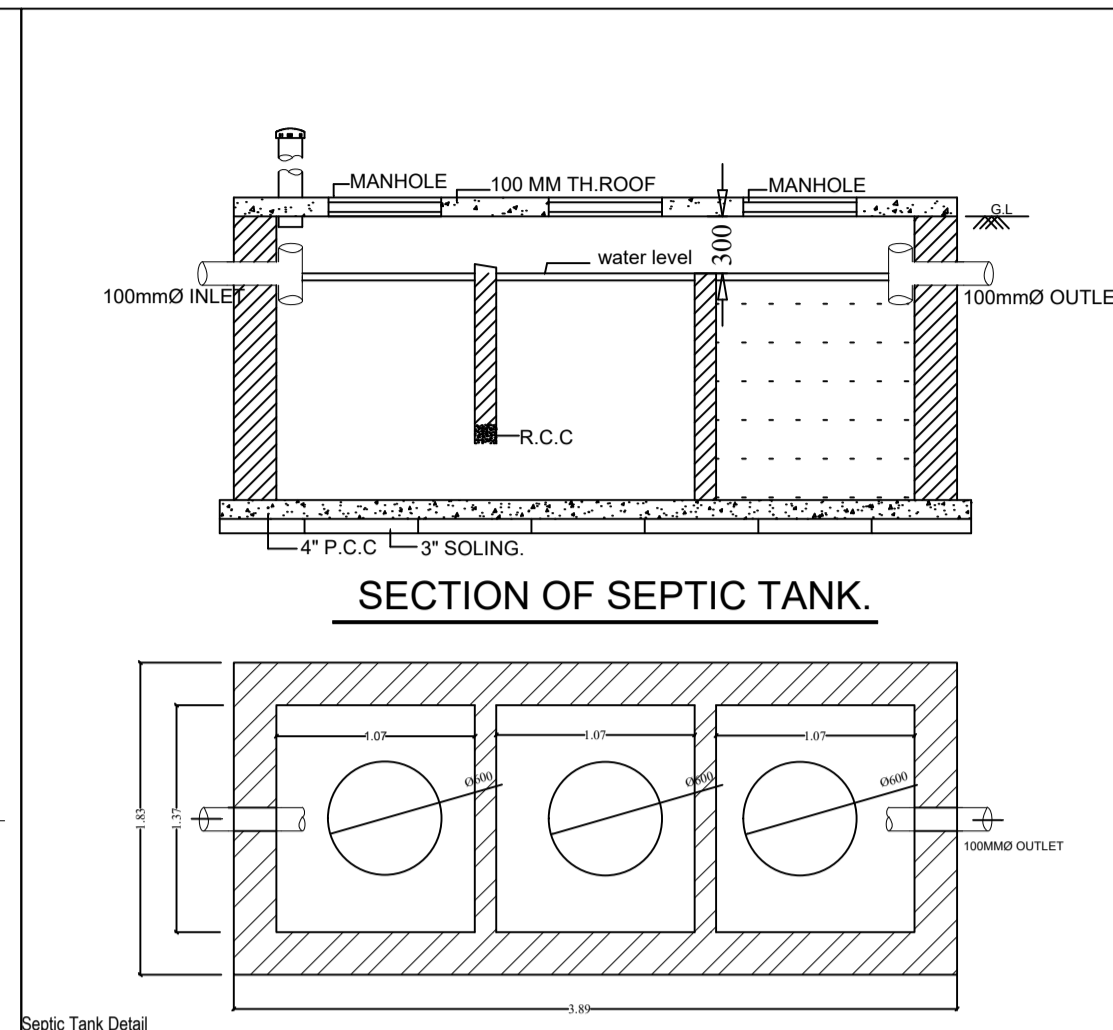
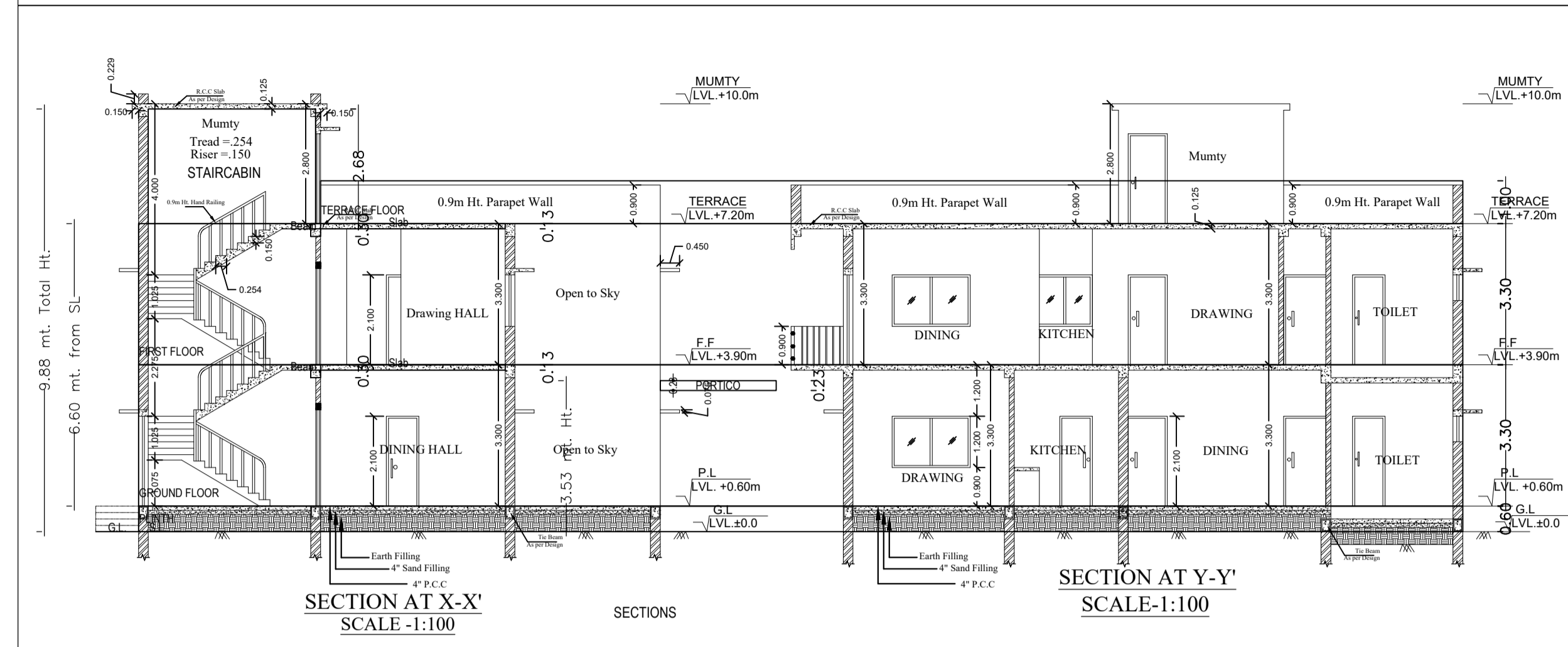


RESIDENTIAL BUILDING FOR MRS.RANJU SHARMA W/O MR.ASHOK KUMAR ,PLOT NO-1518(PORTION),KHATA NO-136,THANA NO-1643,MAUZA-MANGO,WARD NO-09



SCHEDULE OF DOORS & WINDOWS						
TYPE	SIZE		SILL. HT.	LINTEL HEIGHT	REMARKS	
	HEIGHT	WIDTH			G.FL	1.FL
D0	7'	33"	00	7'	1	1
D1	7'	30"	00	7'	2	2
D2	7'	26"	00	7'	1	1
W1	40"	40"	30"	7'	2	2
W2	40"	46"	30"	7'	1	1
W3	40"	29"	30"	7'	2	2
V	20"	20"	50"	7'	2	2

GENERAL SPECIFICATIONS

EXCAVATION :DEPTH FOOTINGS DEPENDING UPON THE NATURE OF SOIL (MIN. DEPTH 1.80 MT)

PLAIN CONCRETE : USE PLAIN CEMENT CONCRETE : 1:3:6, 1:2:4 As REQUIRED AT ANY LOCATION/AS MENTIONED IN THE DRAWING.

SUPER STRUCTURE :R.C.C 1:1.5:3 FOR FOOTINGS, COLUMNS AND BEAMS AS MENTIONED IN THE DRAWING IN FOUNDATION & PLINTH

R.C.C : R.C.C COLUMN, LINTEL, CHAJJA, BEAM, ROOF ETC AS MENTIONED IN THE DRAWING

OR USE 1: 1 1/2 : 3 CONCRETE FOR ALL STRUCTURES.

BRICK WORK : 230MM THICK WALL IN PROP. 1:6 CM. & 115MM THIN WALL IN PROP. 1:4 CM

FLOORING : MARBLE OR KOTA STONE. FLOORING IN ALL SHOPS.

FLOORING : CERAMIC GLAZED TILES IN BATHROOM UP TO 2 M HEIGHT & 0.70 M HEIGHT IN KITCHEN COOKING SLAB.

PLASTERING : 12 MM THK. PLASTER IN PROP. 1:6 TO OUTER & INNER SURFACE ON WALL

:12 MM THK. PLASTER IN PROP. 1:4 IN CEILING & ON CONCRETE SURFACE I.e COLUMNS, BEAMS etc

PAINTING : SNOWEM IN OUTER WALL.

SANITARY : USE HIND WARE BRANDED SANITARY WARE

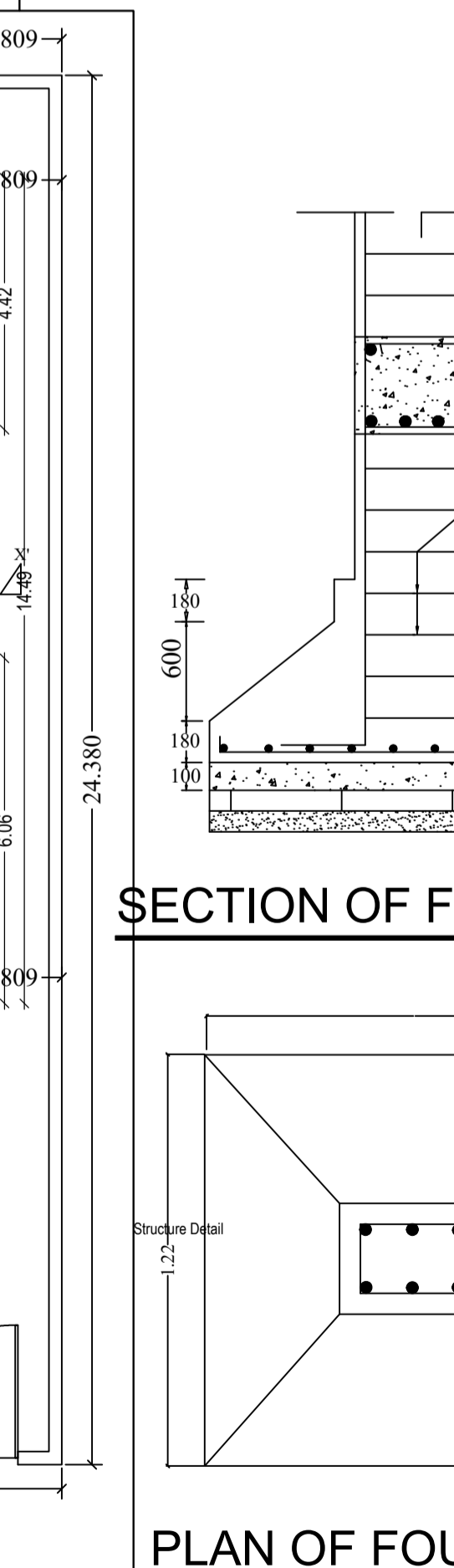
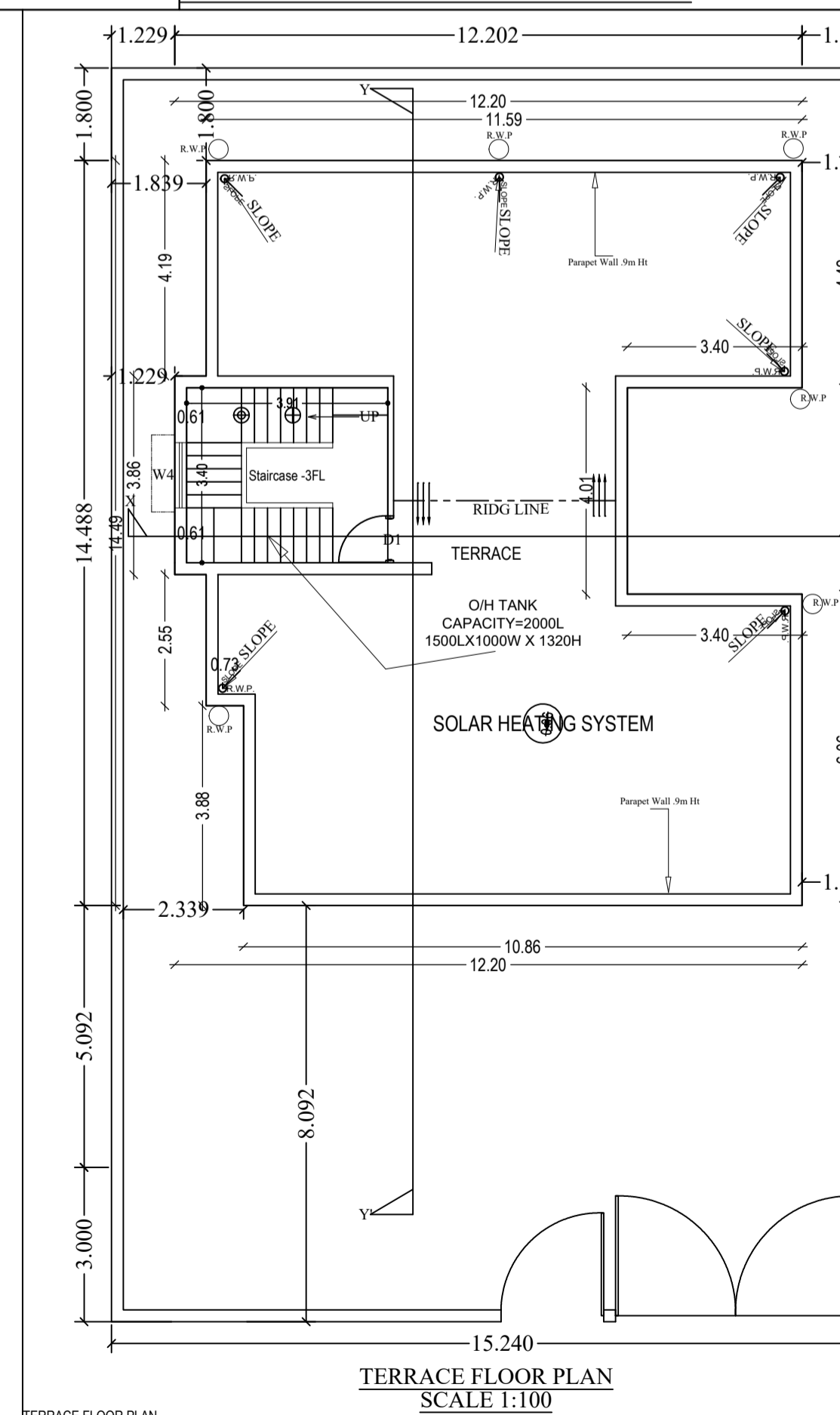
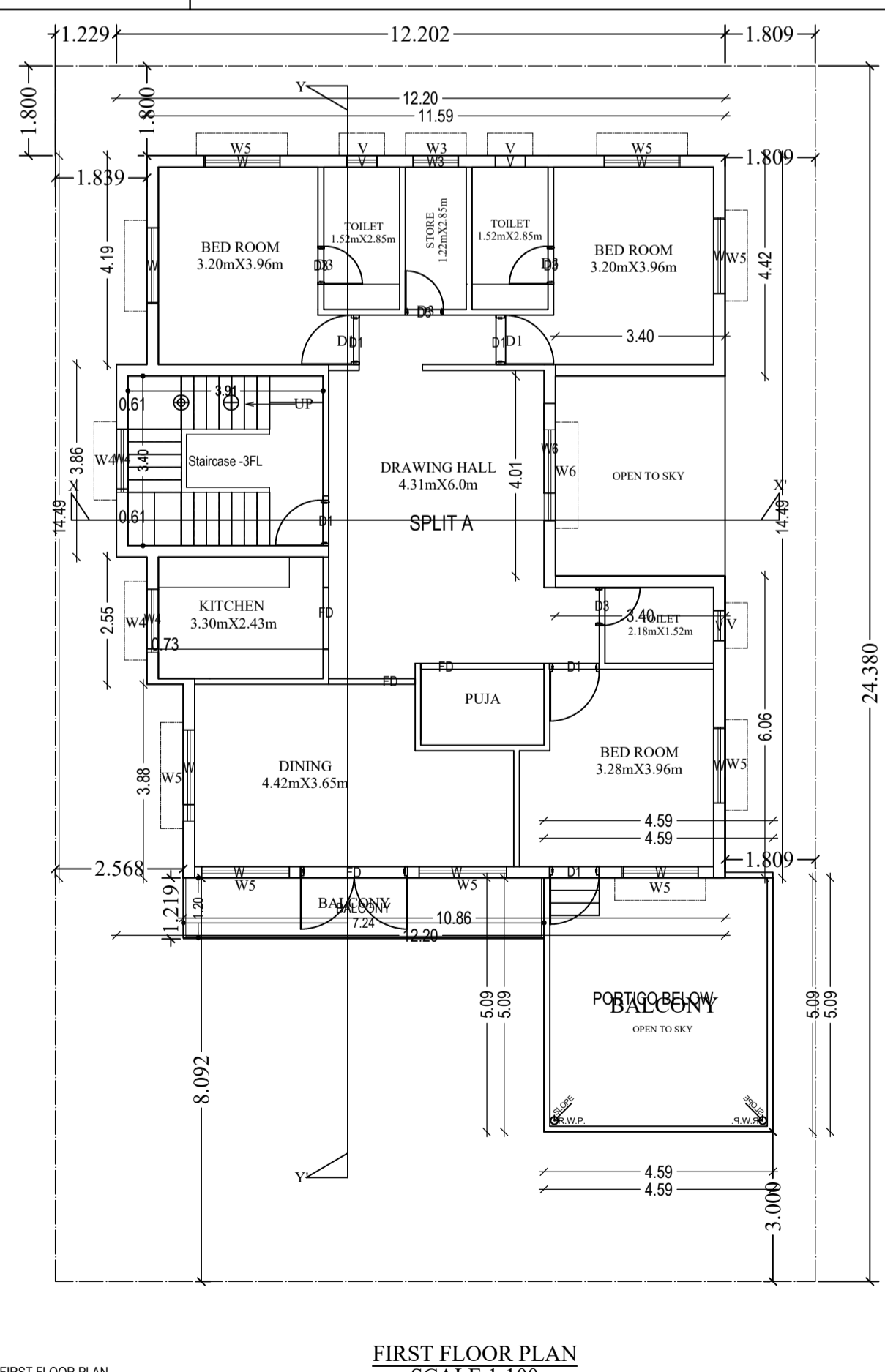
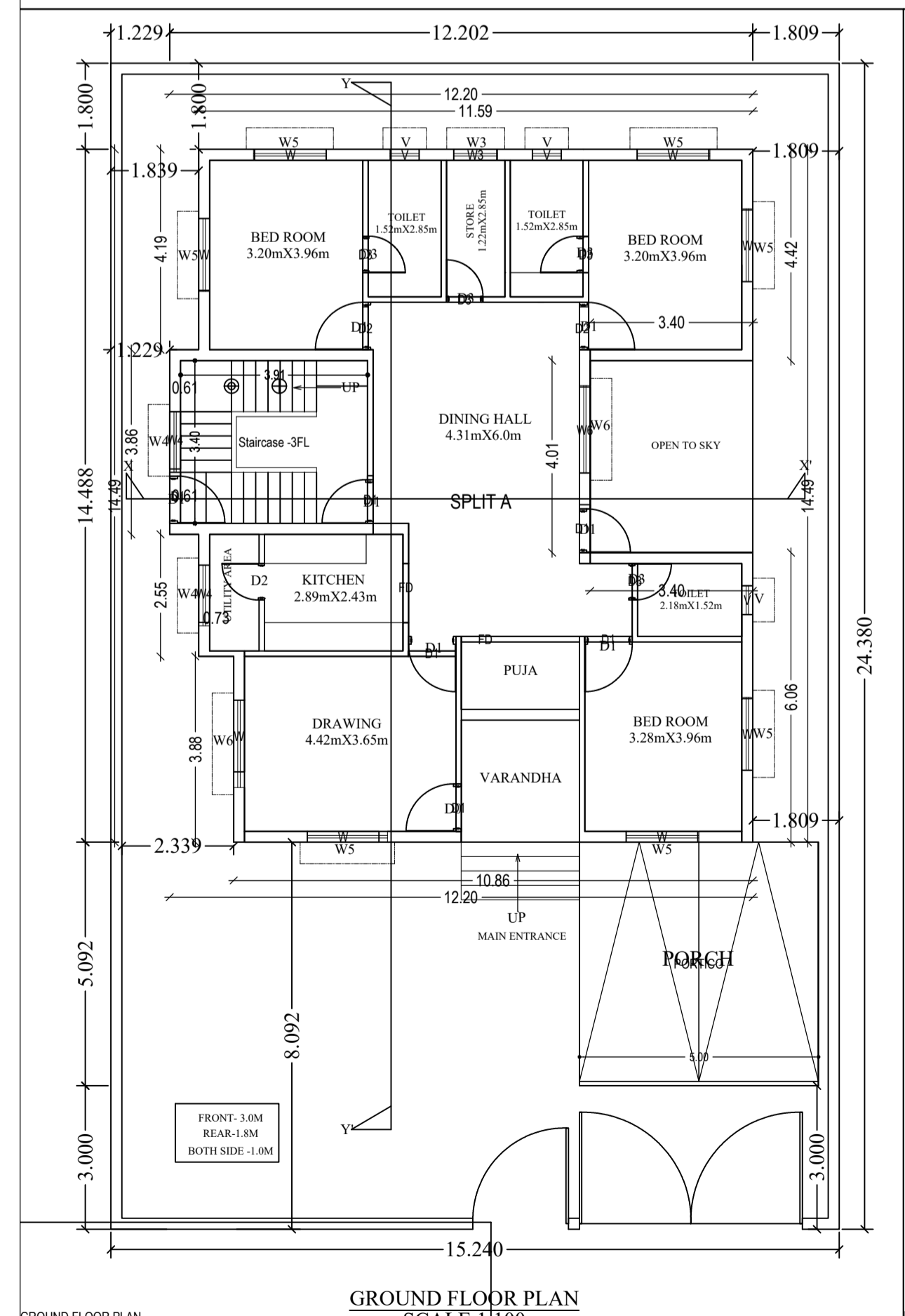
PVC PIPE FOR WATER SUPPLY.

PVC PIPE FOR DISPOSAL

:110MM Ø P.V.C PIPE FOR RAIN WATER.

DOORS & WINDOWS AS PER THE GIVEN SCHEDULE

ELECTRICITY : CONCELLED WIRING AS PER IS:



BOUNDRY:-

NORTH : SOCIETY PLOT NO-88

SOUTH : SOCIETY PLOT NO-86

EAST : 4.8 M

WEST : SOCIETY ALLEY

AREA CALCLATION:-(G+1)

PROPOSED PLOT AREA : 371.7 SQM

G.F.B.U AREA(RESL) :

F.F.B.U AREA(RESL) :

TOTAL BUILT UP AREA :

ACHIEVED F.A.R :

DATE	REVISION	REVISION NO	REMARKS/SIGNATURE
	PLAN	REV-0	
	SECTION	REV-1	

APPLICANT'S SIGN. ARCHITECT SIGN.