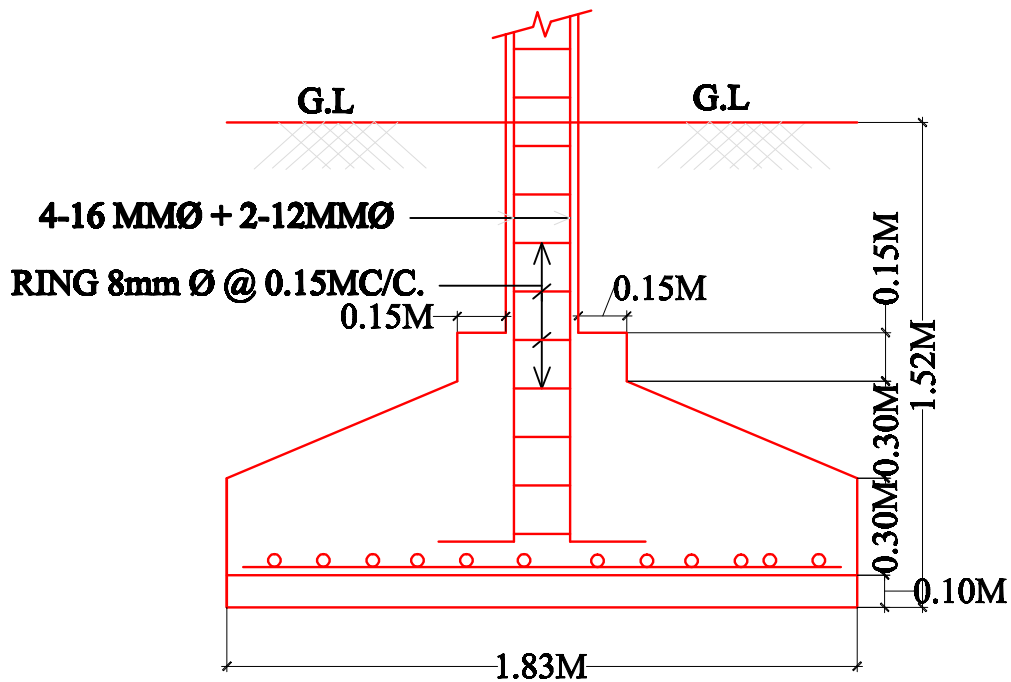
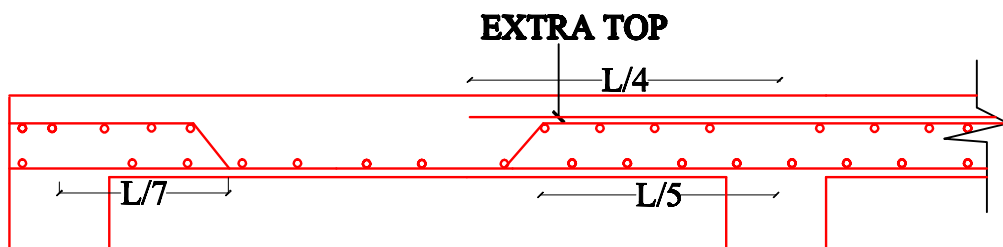


PLAN OF ISOLATED FOOTING



SECTION OF FOOTING



SECTION OF SLAB AT A-A'