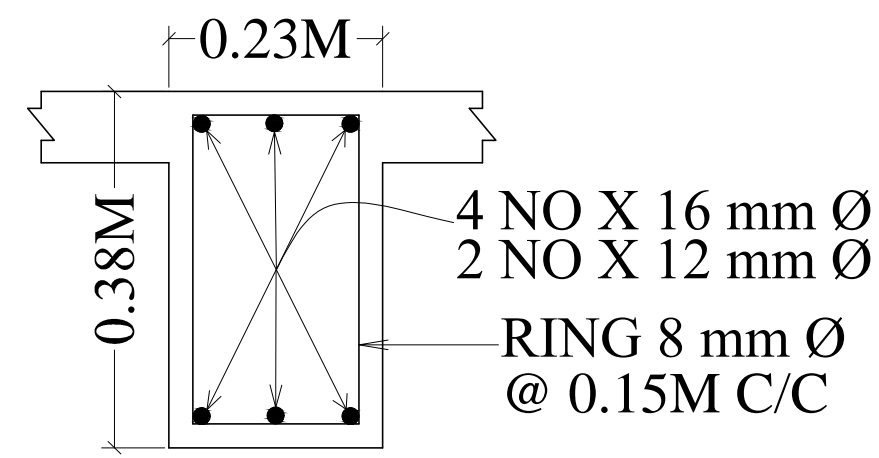
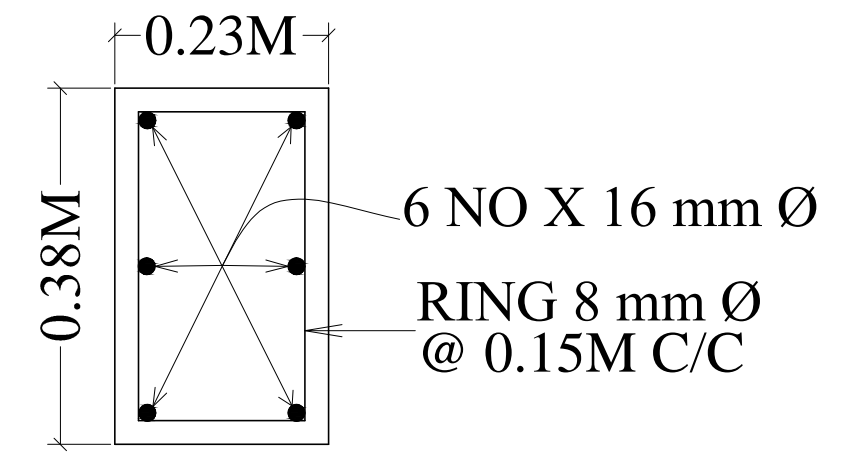


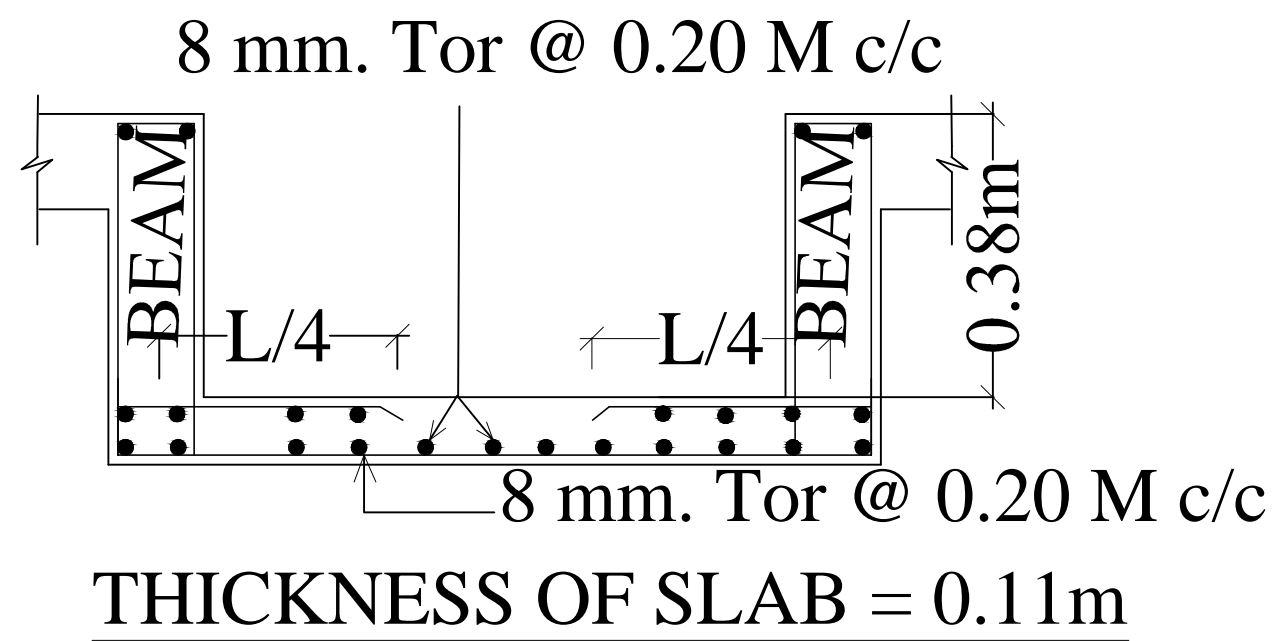
SECTION OF TYPICAL FLOOR BEAM



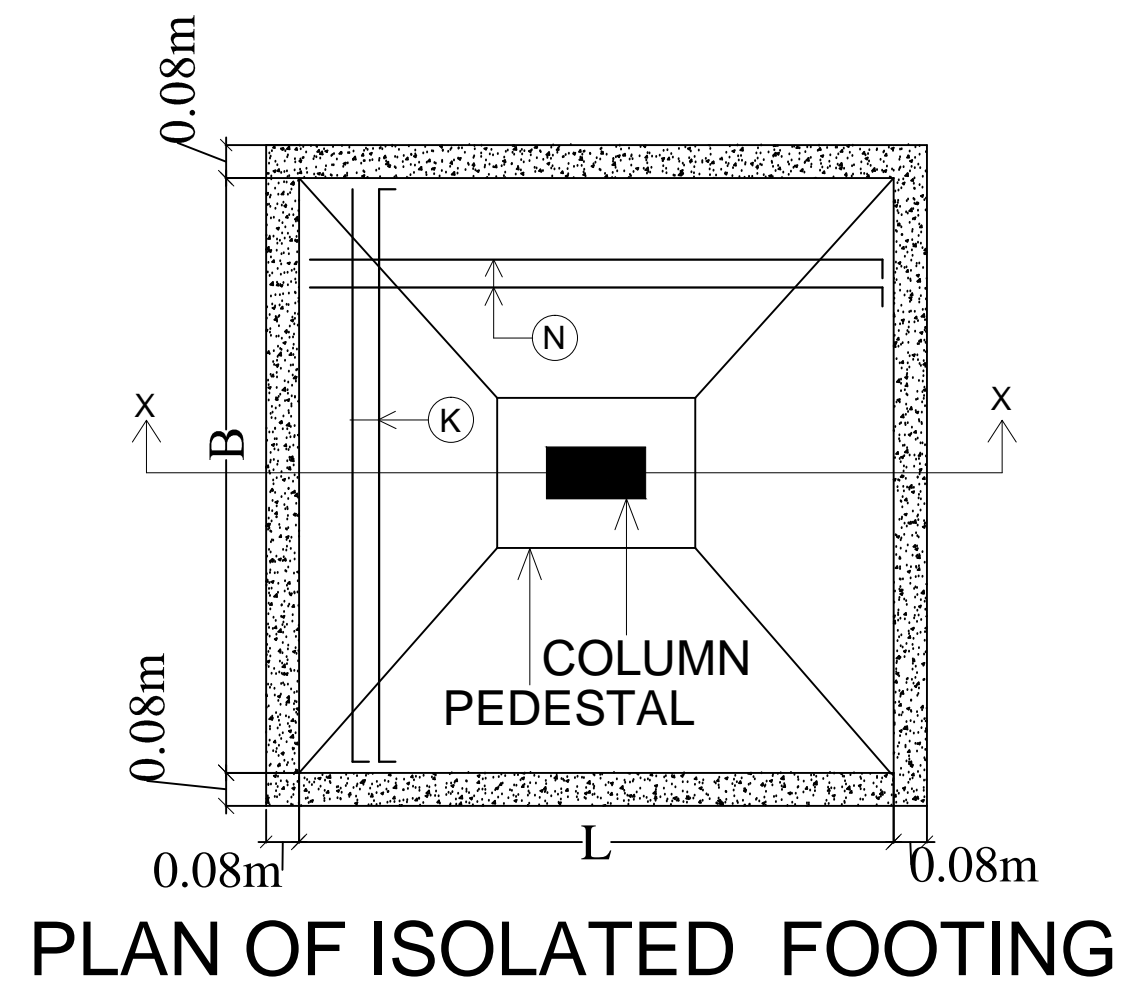
C.S. OF ROOF BEAM
SIZE - 0.23M X 0.38M



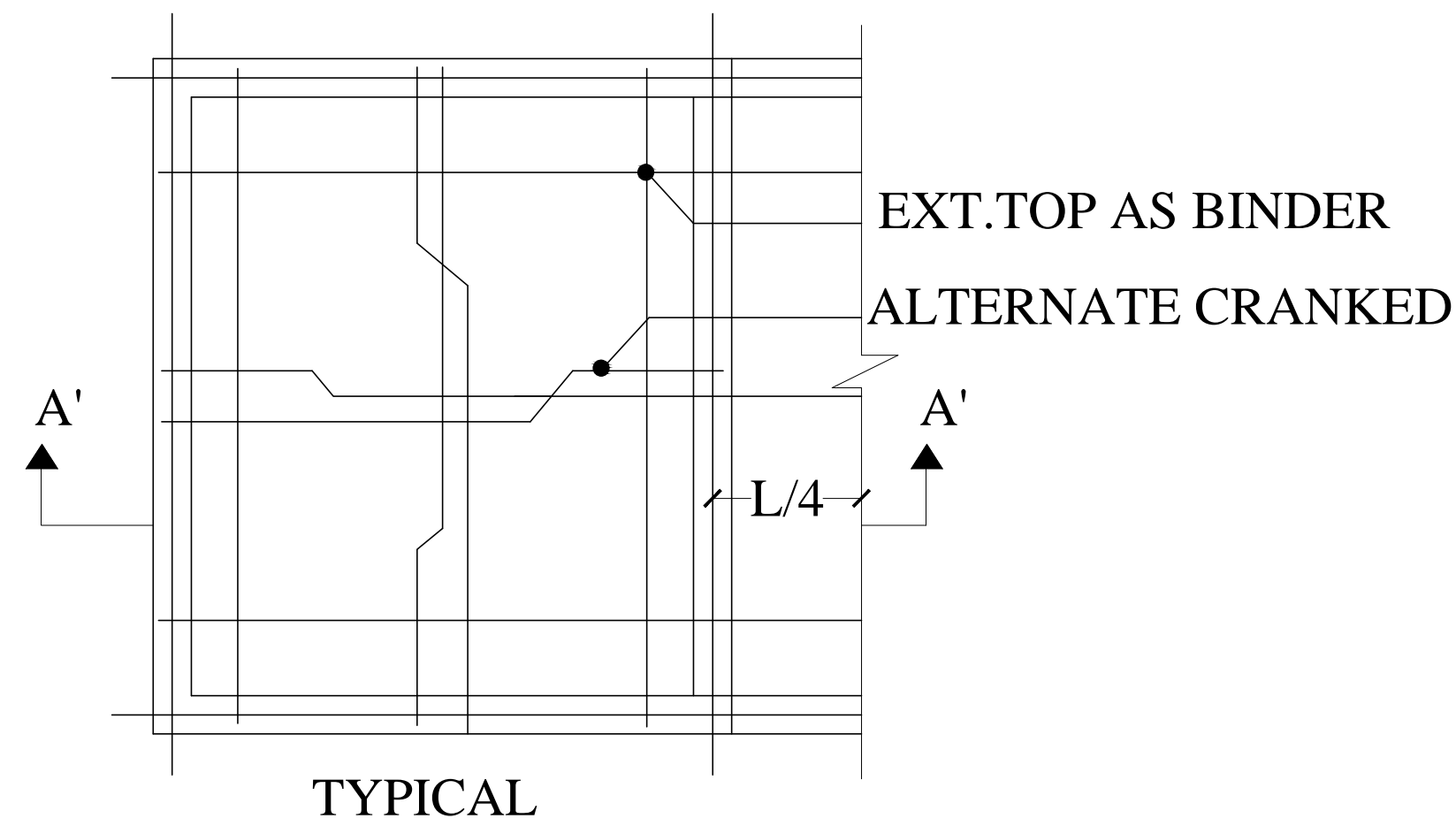
C.S. OF COLUMN .
SIZE - 0.23M X 0.38M



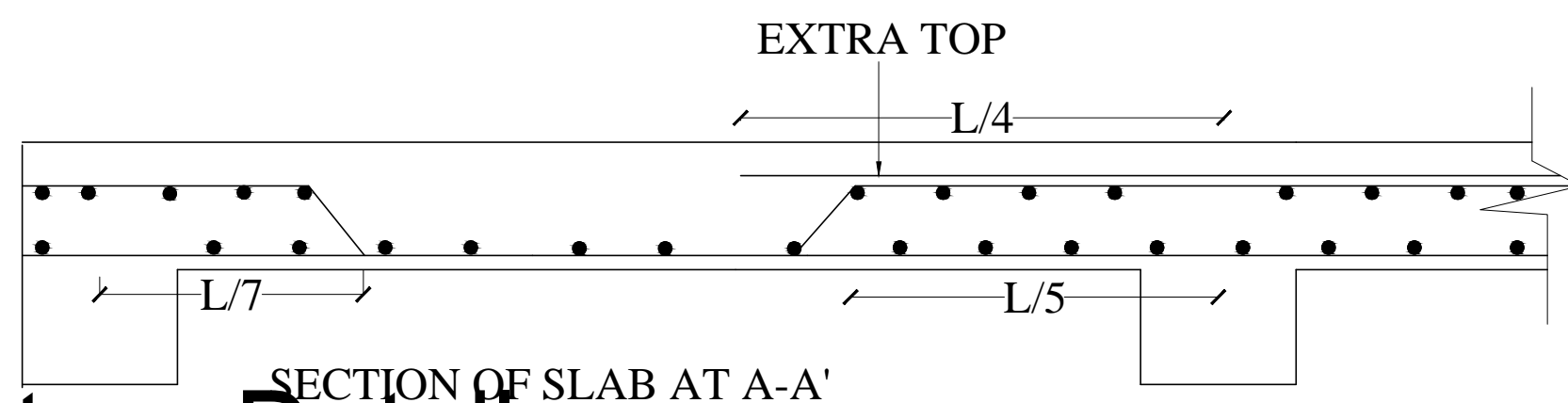
THICKNESS OF SLAB = 0.11m



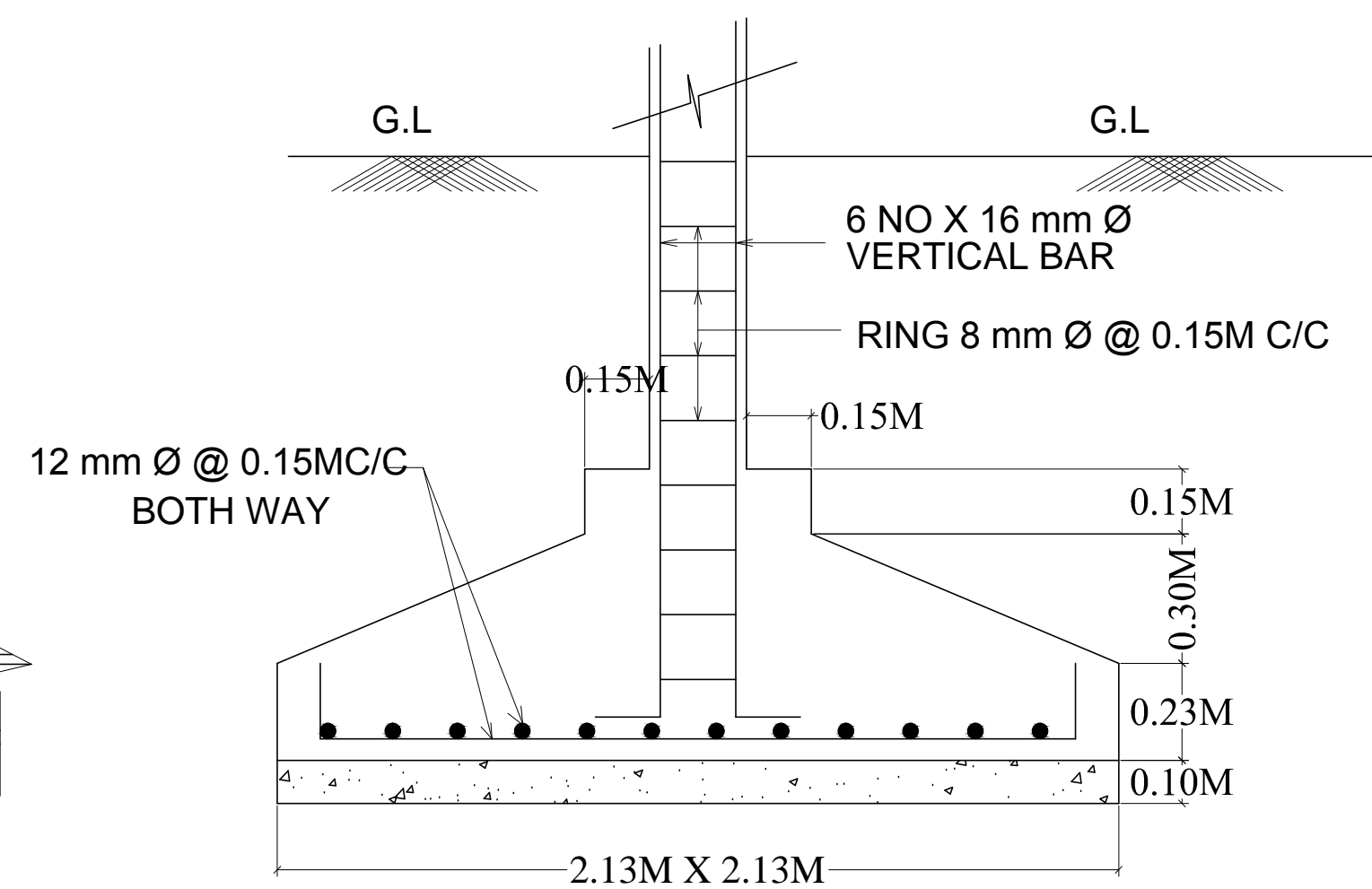
PLAN OF ISOLATED FOOTING



TYPICAL



SECTION OF SLAB AT A-A'



SECTION OF FOOTING .
SIZE - 2.13M X 2.13M

Structure Detail