

SITE PLAN

Buildingwise Floor FAR Details

Floor Name	Building Name A (GANGA MEMORIAL)				Total			
	Proposed Built Up Area (Sq.mt.)	Existing Built up Area (Sq.mt.)	Proposed FAR Area (Sq.mt.)	Existing FAR Area (Sq.mt.)	Total Proposed Built Up Area (Sq.mt.)	Total Existing Built up Area (Sq.mt.)	Total FAR Area (Sq.mt.)	Total Existing FAR Area (Sq.mt.)
Basement Floor	14.19	362.09	14.19	0.00	14.19	362.09	14.19	0.00
Ground Floor	0.00	335.39	0.00	327.22	0.00	335.39	0.00	327.22
First Floor	0.00	341.99	0.00	327.97	0.00	341.99	0.00	327.97
Second Floor	0.00	341.99	0.00	327.97	0.00	341.99	0.00	327.97
Third Floor	341.99	0.00	327.97	0.00	341.99	0.00	327.97	0.00
Fourth Floor	341.99	0.00	327.97	0.00	341.99	0.00	327.97	0.00
Terrace Floor	0.00	0.00	0.00	0.00	0.00	0.00	0.00	0.00
Total :	698.17	1381.46	670.14	983.15	698.17	1381.46	670.14	983.15

COLOR INDEX

PLOT BOUNDARY	Black
ABUTTING ROAD	Green
PROPOSED CONSTRUCTION	Red
COMMON PLOT	Yellow
ROAD WIDENING AREA	Blue
EXISTING (To be retained)	Light Blue
EXISTING (To be demolished)	Orange

Proposal Basic Information

Proposal File No.	MNAC/BP/0056/W09/2022
Owner Name	RANJU KUMARI
Khata No	281
Plot No	2117, 2118
Village Name	Mango
Use	Medical
SubUse	Nursing Home

AREA STATEMENT MANGO MUNICIPAL CORPORATION		VERSION NO.: 1.0.64
		VERSION DATE: 16/10/2020
PROJECT DETAIL:		
Region: JHARKHAND URBAN LOCAL BODIES	Plot Use: Medical	
District: EAST SINGHBHUM	Plot SubUse: Nursing Home	
Authority: MANGO MUNICIPAL CORPORATION	PlotNearbyReligiousStructure: NA	
Inward No: MNAC/BP/0056/W09/2022	Plot/SubPlot No: 2117, 2118	
Application Type: General Proposal	North: -	
Project Type: Building	South: -	
Permission: Addition or Alteration	East: -	
Nature of Development: Addition or Alteration	West: -	
Location of Development Area: Old Area		
AREA DETAILS:		
AREA OF PLOT (Minimum)	(A)	SQ.MT. 667.97
NET AREA OF PLOT(Gross Plot Area - Deduction from Gross Plot area)	(A-Deductions)	667.97
Deduction for Balance Plot Area(from Gross Plot Area)		
Common Plot		95.58
Total		95.58
BALANCE AREA OF PLOT(Net Plot Area - Recreational/Amenity space)	(A-Deductions)	572.39
PLOT AREA FOR COVERAGE(Net Plot Area)	(A-Deductions)	667.97
Plot Area for FAR (Net Plot Area + RoadWidening Area)	(A-Deductions)	667.97
COVERAGE CHECK		
Permissible Coverage area (60.00 %)		400.78
Proposed Coverage Area (48.99 %)		327.22
Total Prop. Coverage Area (48.99 %)		327.22
Balance coverage area (11.01 %)		73.56
FAR CHECK		
Perm. FAR Area (2.500)		1669.92
Total Perm. FAR area		1669.92
Special FAR		1639.08
Proposed FAR Area		1653.27
Total Proposed FAR Area		1653.27
Consumed FAR (Factor)		2.48
Balance FAR Area		16.65
BUILT UP AREA CHECK		
Total Proposed BuiltUp Area		2079.63
ARCHITECT (Regd)	Kunal Sinha Mahapatra	
ENGINEER (Regd)		
SUPERVISOR (Regd)		
OWNER (Regd)	RANJU KUMARI	
DEVELOPMENT AUTHORITY		LOCAL BODY

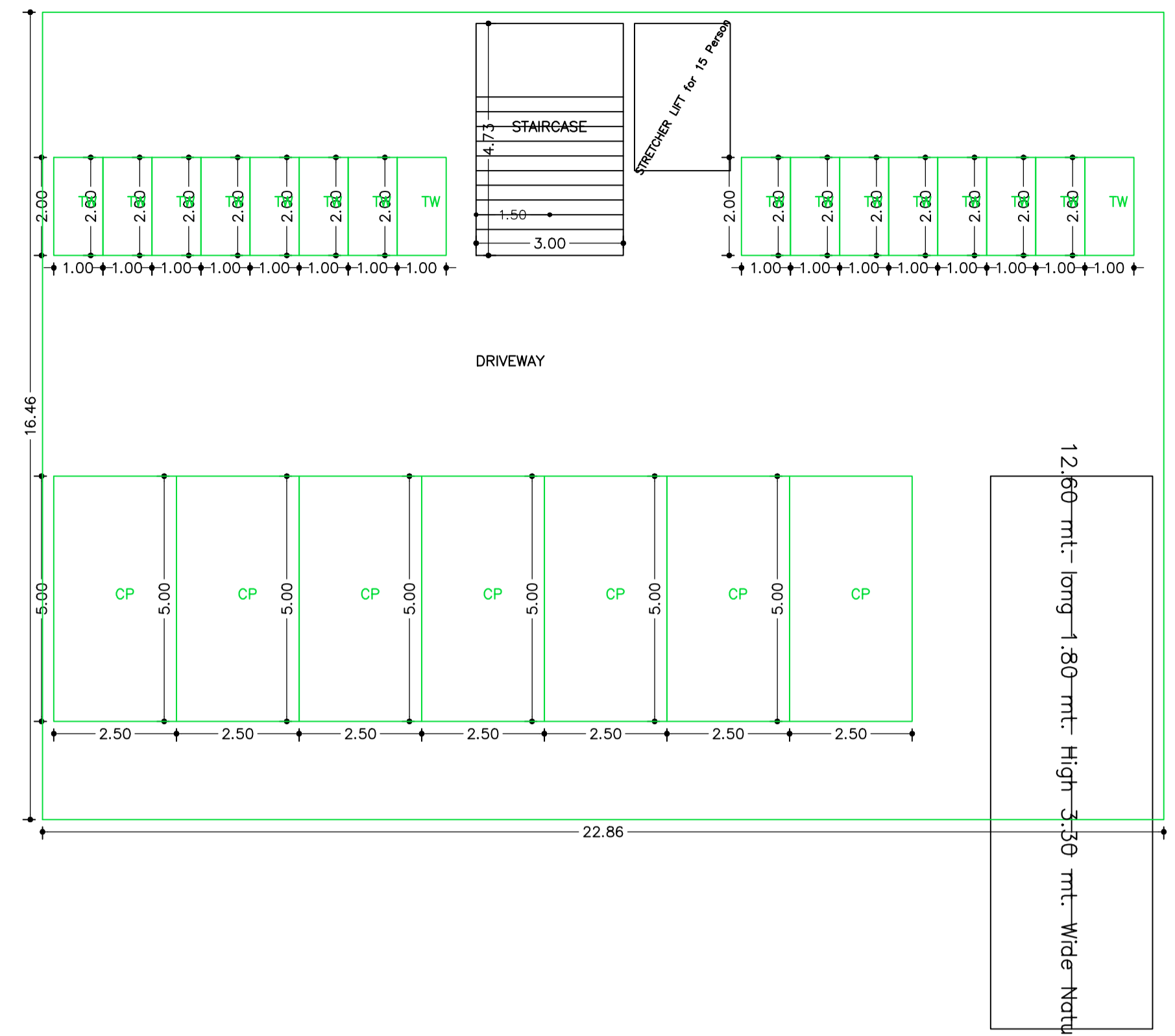
FAR & Tenement Details (Table 4c-1)

Building	No. of Same Bldg	Gross Built Up Area (Sq.mt.)	Deductions From Gross BUA(Area in Sq.mt.) Cutout	Total Built Up Area (Sq.mt.)	Existing Built Up Area (Sq.mt.)	Proposed Built Up Area (Sq.mt.)	Deductions (Area in Sq.mt.)			Existing FAR Area (Sq.mt.)	Proposed FAR Area (Sq.mt.)	Add Area In Existing FAR (Sq.mt.)	Total FAR Area (Sq.mt.)	Total Consumed Additional FAR Area (Sq.mt.)	Tnmt (No.)
							StairCase	Lift	Parking						
A (GANGA MEMORIAL)	1	2086.23	6.60	2079.63	1381.46	698.17	40.85	29.25	356.24	983.15	655.93	14.19	1653.29	1653.29	05
Grand Total	1	2086.23	6.60	2079.63	1381.46	698.17	40.85	29.25	356.24	983.15	655.93	14.19	1653.29	1653.29	05

Building USE/SUBUSE Details

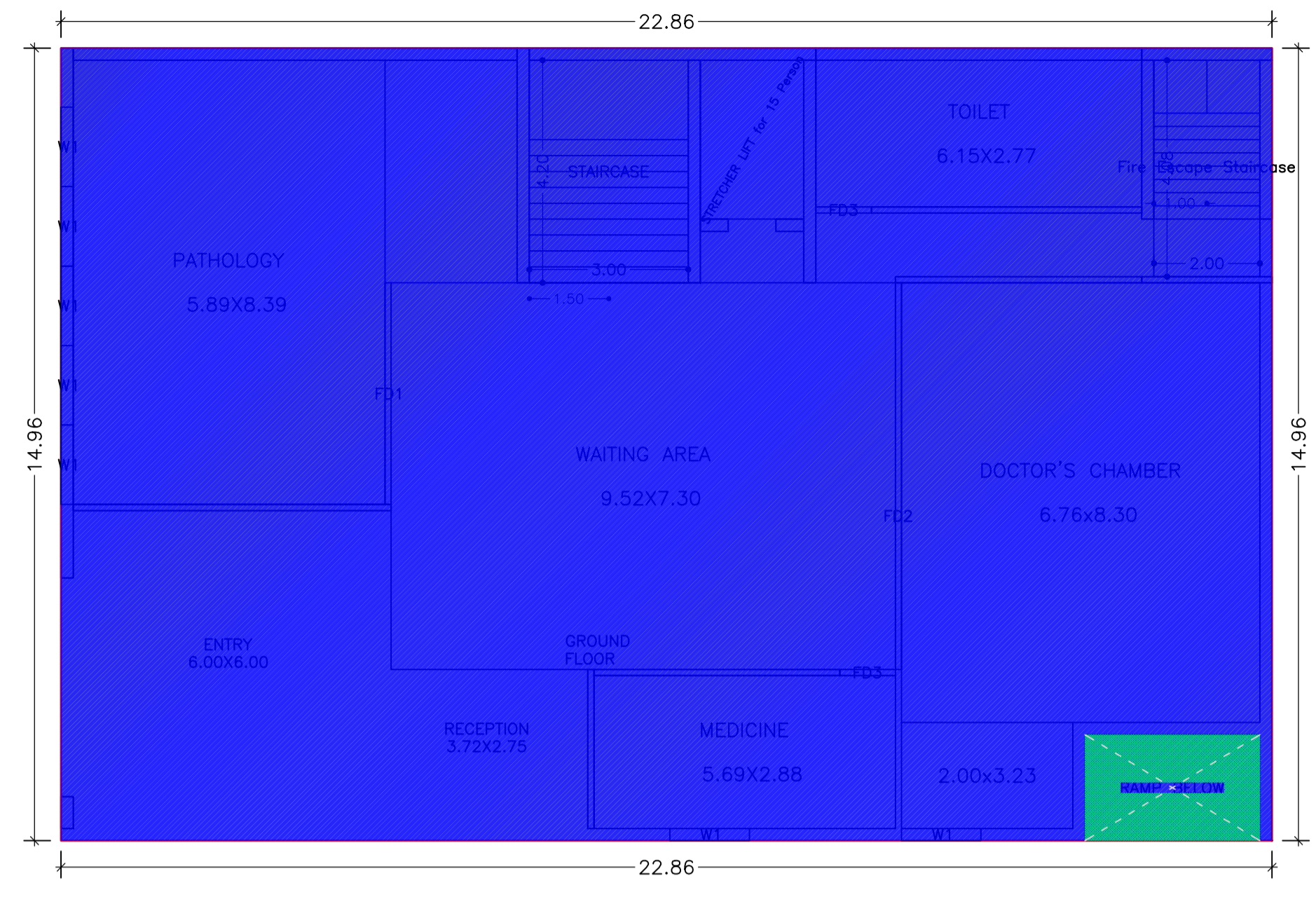
Building Name	Building Use	Building SubUse	Building Structure
A (GANGA MEMORIAL)	Medical	Nursing Home	Non-Highrise

LTP NAME AND SIGNATURE	STRUCTURAL ENG'S NAME AND SIGNATURE	SEAL AND SIGNATURE	DEVELOPMENT AUTHORITY SIGNATURE
Kunal Sinha Mahapatra MNAC/ENG/0006/2017			

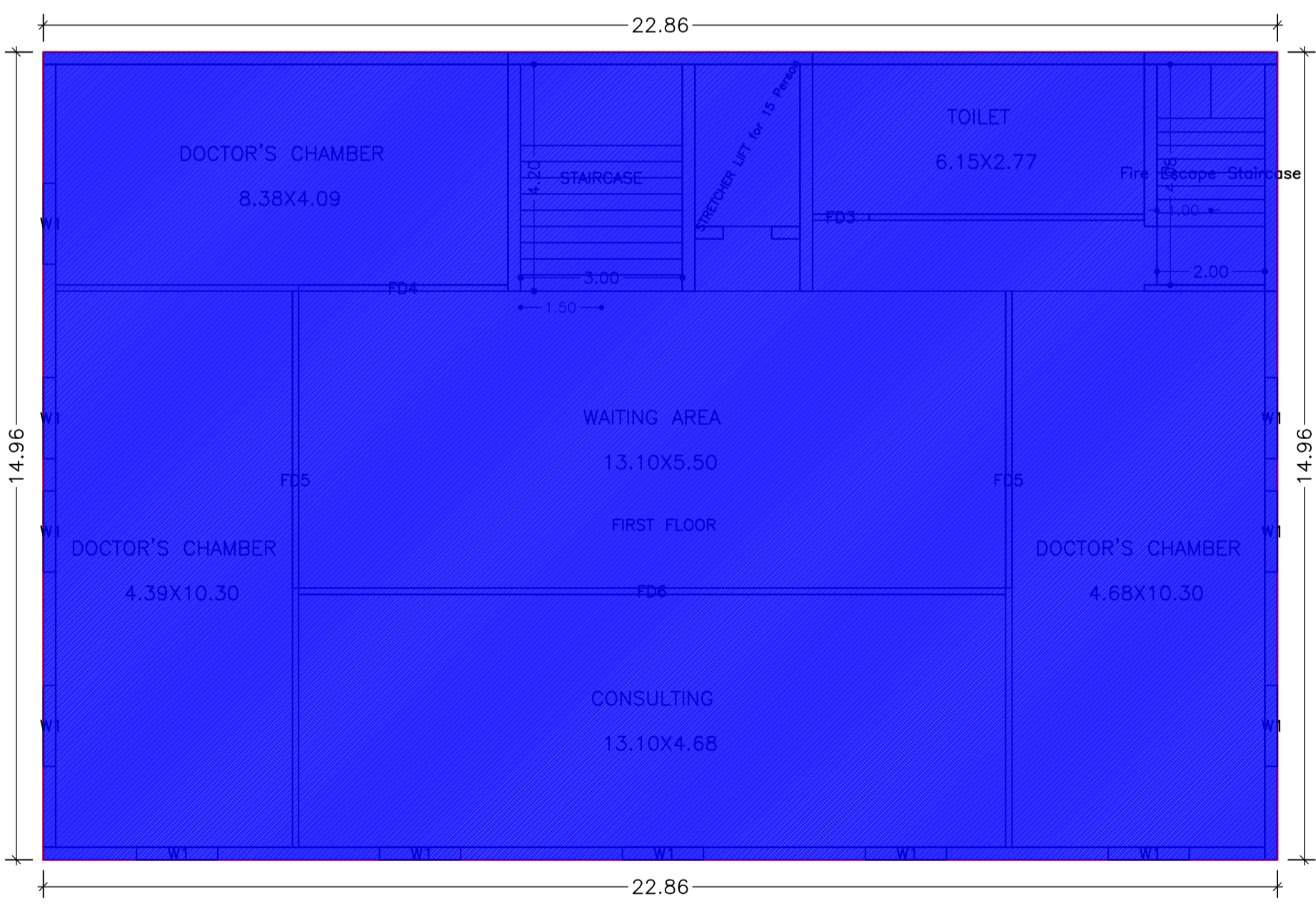


BASEMENT FLOOR PLAN
(SCALE 1:100)

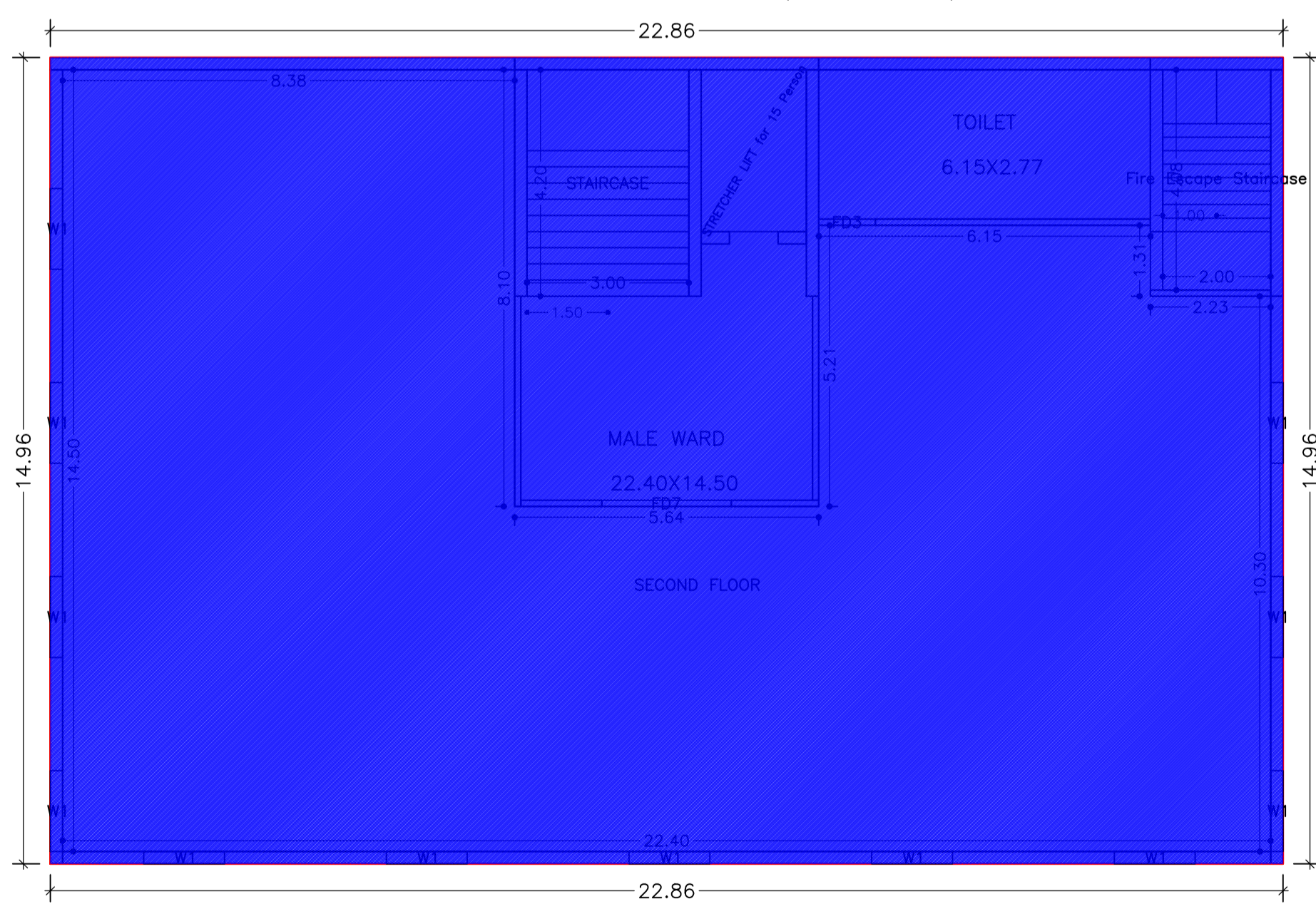
12.60 mt long - 1.80 mt High - 3.50 mt Wide - Natural Slope



GROUND FLOOR PLAN
(Existing)
(SCALE 1:100)



FIRST FLOOR PLAN
(Existing)
(SCALE 1:100)

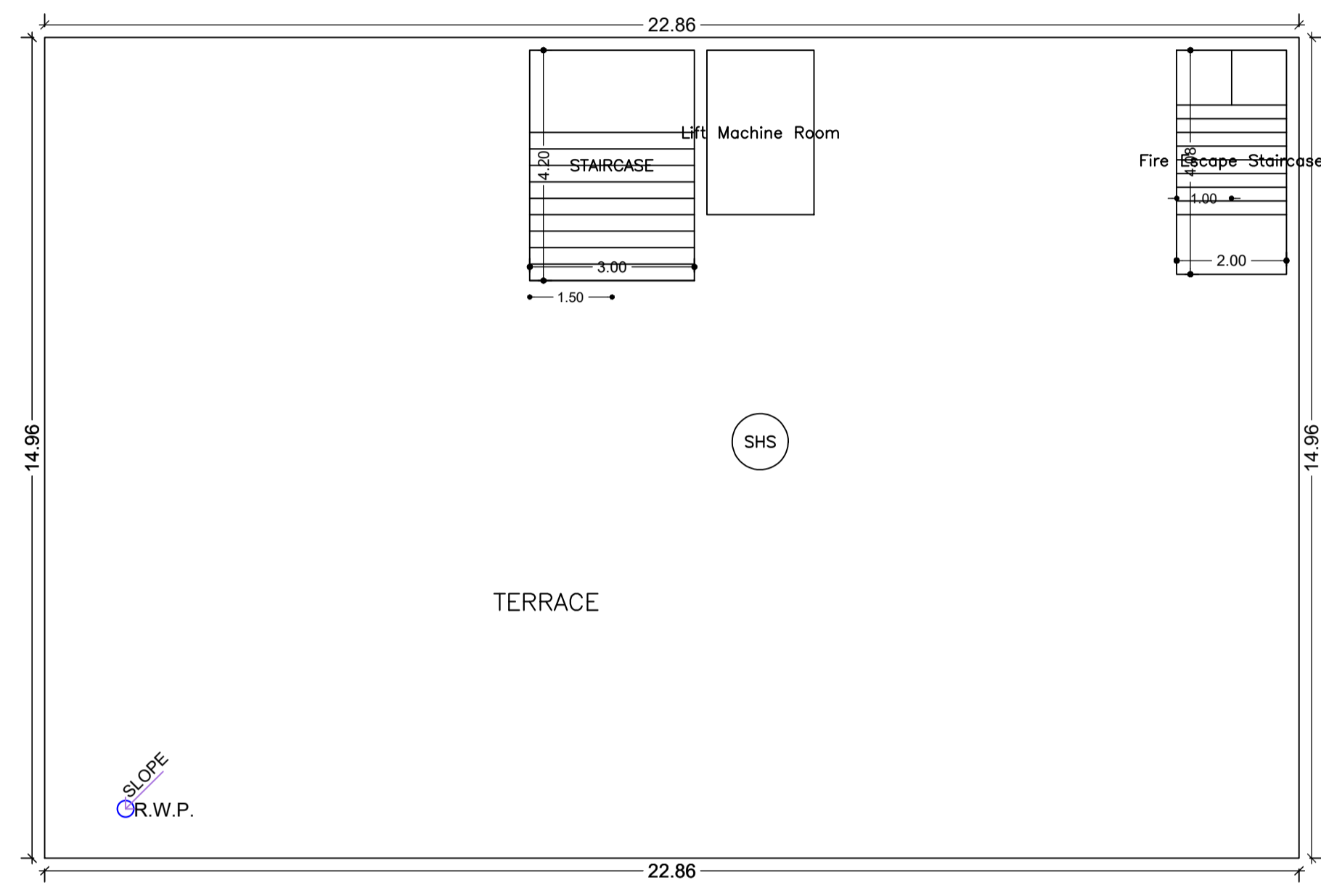


SECOND FLOOR PLAN
(Existing)
(SCALE 1:100)

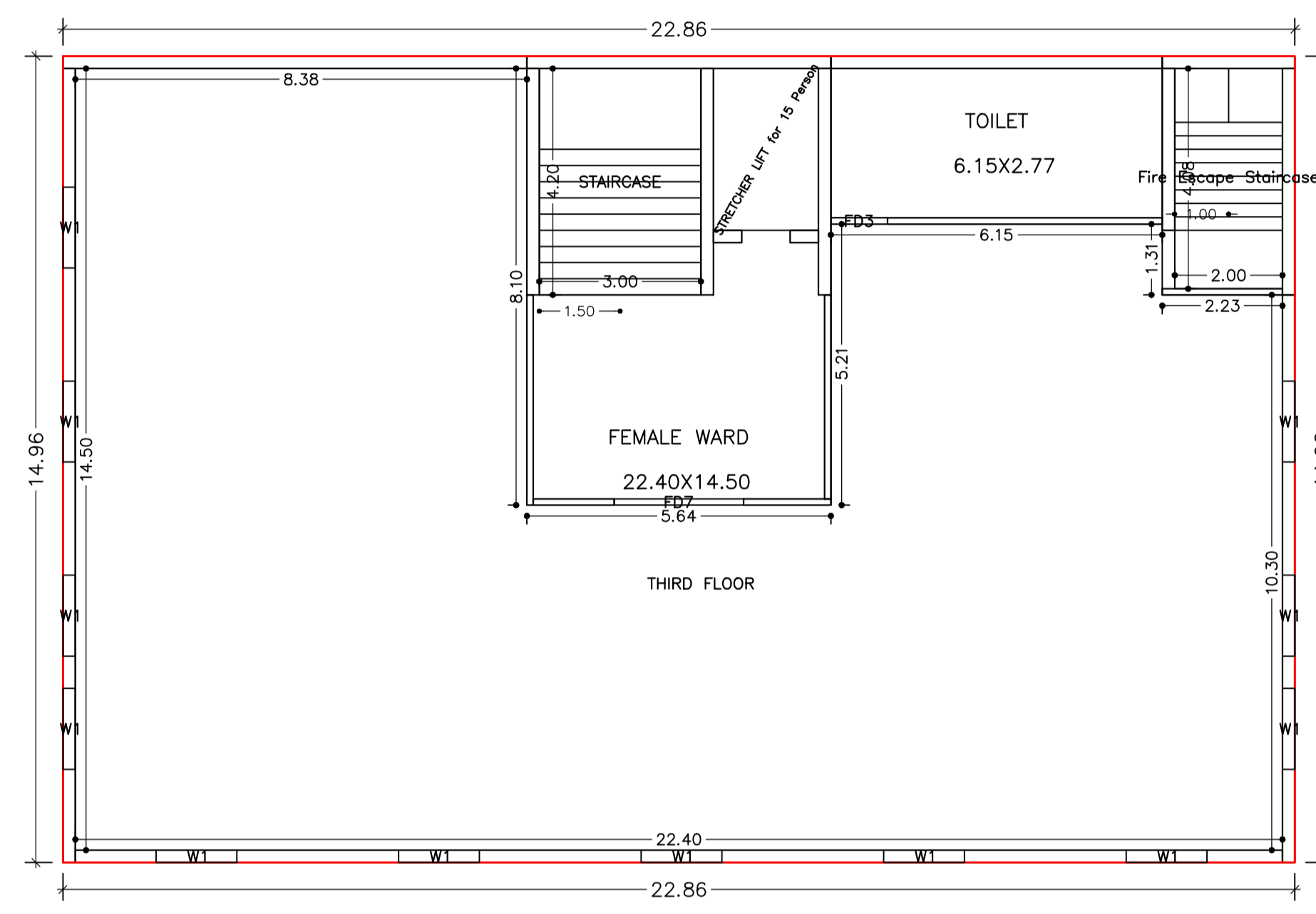
Proposal Basic Information	
Proposal File No	MNAC/BP/0056/W09/2022
Owner Name	RANJU KUMARI
Khata No	281
Plot No	2117, 2118
Village Name	Mango
Use	Medical
SubUse	Nursing Home

LTP NAME AND SIGNATURE	STRUCTURAL ENG'S NAME AND SIGNATURE	SEAL/DERNAME AND SIGNATURE	REAL SIGNATURE
Kunal Sinha Mahapatra MNAC/ENG/0006/2017			

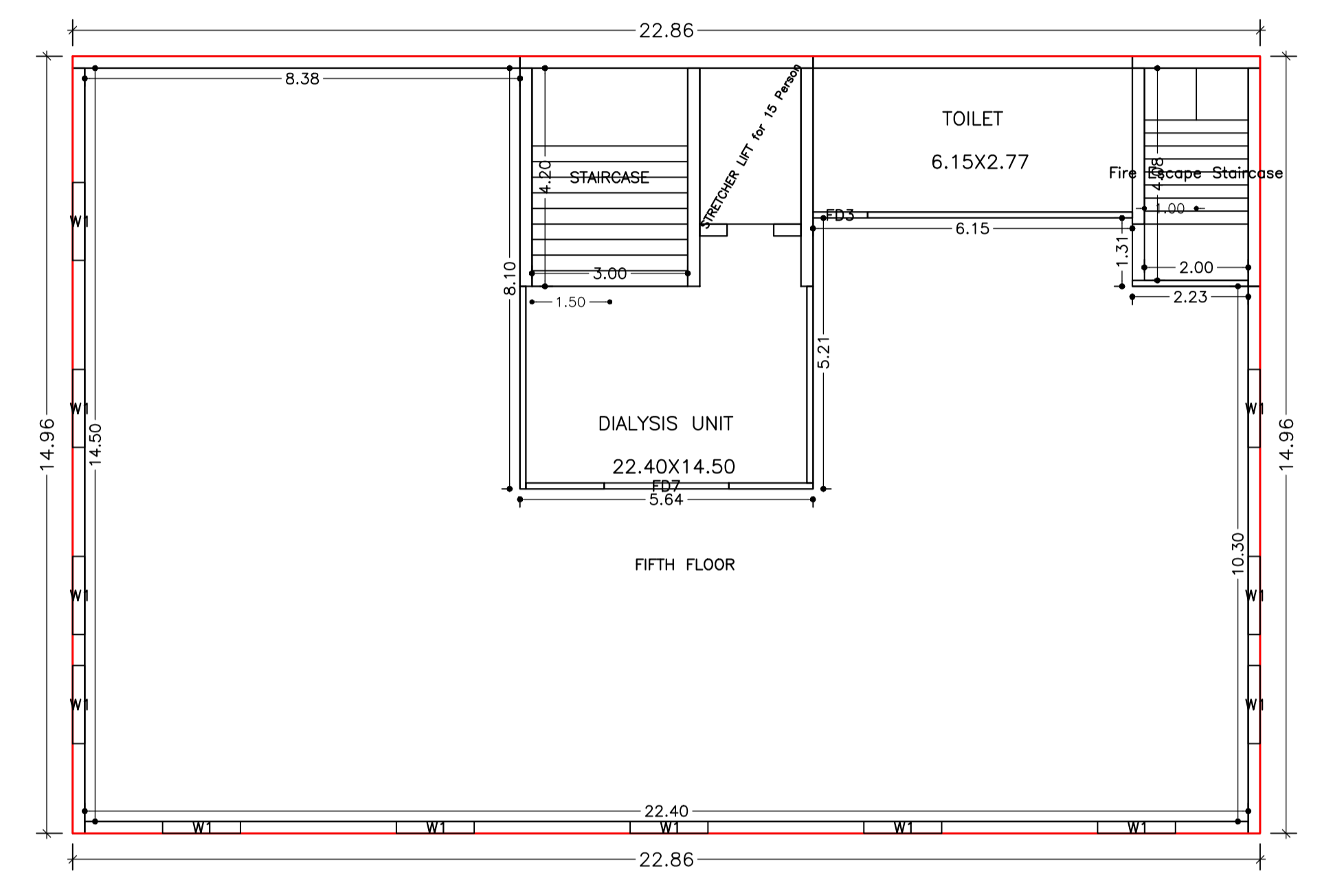
Proposal Basic Information	
Proposal File No	MNAC/BP/0056/W09/2022
Owner Name	RANJU KUMARI
Khata No	281
Plot No	2117, 2118
Village Name	Mango
Use	Medical
SubUse	Nursing Home



TERRACE FLOOR PLAN
(SCALE 1:100)



THIRD FLOOR PLAN
(Proposed)
(SCALE 1:100)



FOURTH FLOOR PLAN
(Proposed)
(SCALE 1:100)

Building :A (GANGA MEMORIAL)

Floor Name	Total Built Up Area (Sq.mt.)	Existing Built Up Area (Sq.mt.)	Proposed Built Up Area (Sq.mt.)	Deductions (Area in Sq.mt.)			Existing FAR Area (Sq.mt.)	Proposed FAR Area (Sq.mt.)	Add Area In Existing FAR (Sq.mt.)	Total FAR Area (Sq.mt.)	Total Consumed Additional FAR Area (Sq.mt.)	Tnmt (No.)
				StairCase	Lift	Parking						
Basement Floor	376.28	362.09	14.19	0.00	5.85	356.24	0.00	0.00	14.19	14.19	14.19	00
Ground Floor	335.39	335.39	0.00	8.17	0.00	0.00	327.22	0.00	0.00	327.22	327.22	01
First Floor	341.99	341.99	0.00	8.17	5.85	0.00	327.97	0.00	0.00	327.97	327.97	01
Second Floor	341.99	341.99	0.00	8.17	5.85	0.00	327.97	0.00	0.00	327.97	327.97	01
Third Floor	341.99	0.00	341.99	8.17	5.85	0.00	0.00	327.97	0.00	327.97	327.97	01
Fourth Floor	341.99	0.00	341.99	8.17	5.85	0.00	0.00	327.97	0.00	327.97	327.97	01
Terrace Floor	0.00	0.00	0.00	0.00	0.00	0.00	0.00	0.00	0.00	0.00	0.00	00
Total :	2079.63	1381.46	698.17	40.85	29.25	356.24	983.15	655.93	14.19	1653.29	1653.29	05
Total Number of Same Buildings :	1											
Total :	2079.63	1381.46	698.17	40.85	29.25	356.24	983.15	655.93	14.19	1653.29	1653.29	05

SCHEDULE OF DOOR:

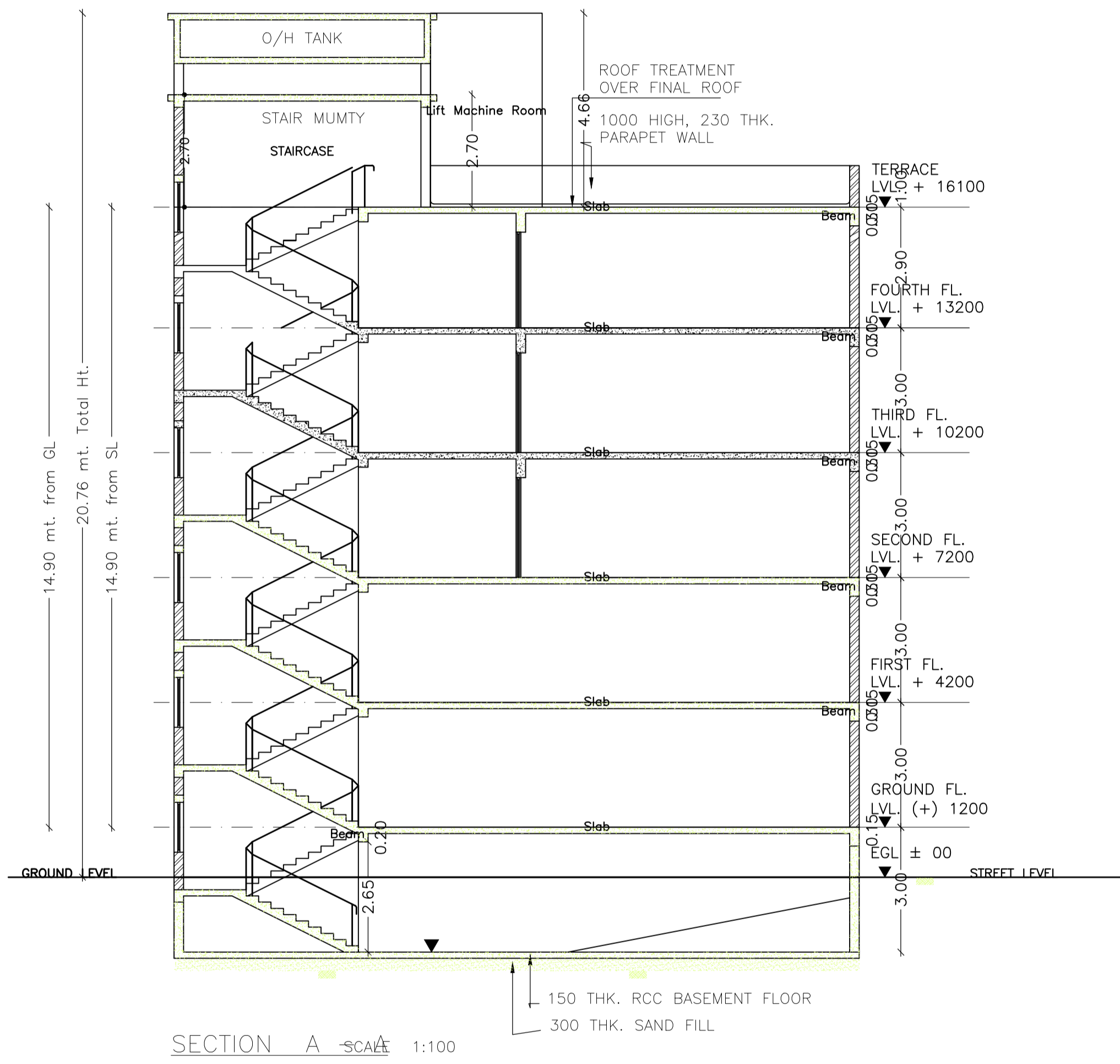
BUILDING NAME	NAME	LENGTH	HEIGHT	NOS
A (GANGA MEMORIAL)	FD3	1.05	0.00	03
A (GANGA MEMORIAL)	FD3	1.05	2.40	03
A (GANGA MEMORIAL)	FD6	13.10	0.00	01
A (GANGA MEMORIAL)	FD7	2.40	2.40	03
A (GANGA MEMORIAL)	FD4	3.88	0.00	01
A (GANGA MEMORIAL)	FD1	4.19	0.00	01
A (GANGA MEMORIAL)	FD5	5.50	0.00	02
A (GANGA MEMORIAL)	FD2	7.30	0.00	01

SCHEDULE OF WINDOW/VENTILATION:

BUILDING NAME	NAME	LENGTH	HEIGHT	NOS
A (GANGA MEMORIAL)	W1	1.50	1.20	19
A (GANGA MEMORIAL)	W1	1.50	1.80	36

LTP NAME AND SIGNATURE	STRUCTURAL ENG'S NAME AND SIGNATURE	SEAL/DERNAME AND SIGNATURE	REAL SIGNATURE
Kunal Sinha Mahapatra MNAC/ENG/0006/2017			

Proposal Basic Information	
Proposal File No.	MNAC/BP/0056/W09/2022
Owner Name	RANJU KUMARI
Khata No	281
Plot No	2117, 2118
Village Name	Mango
Use	Medical
SubUse	Nursing Home

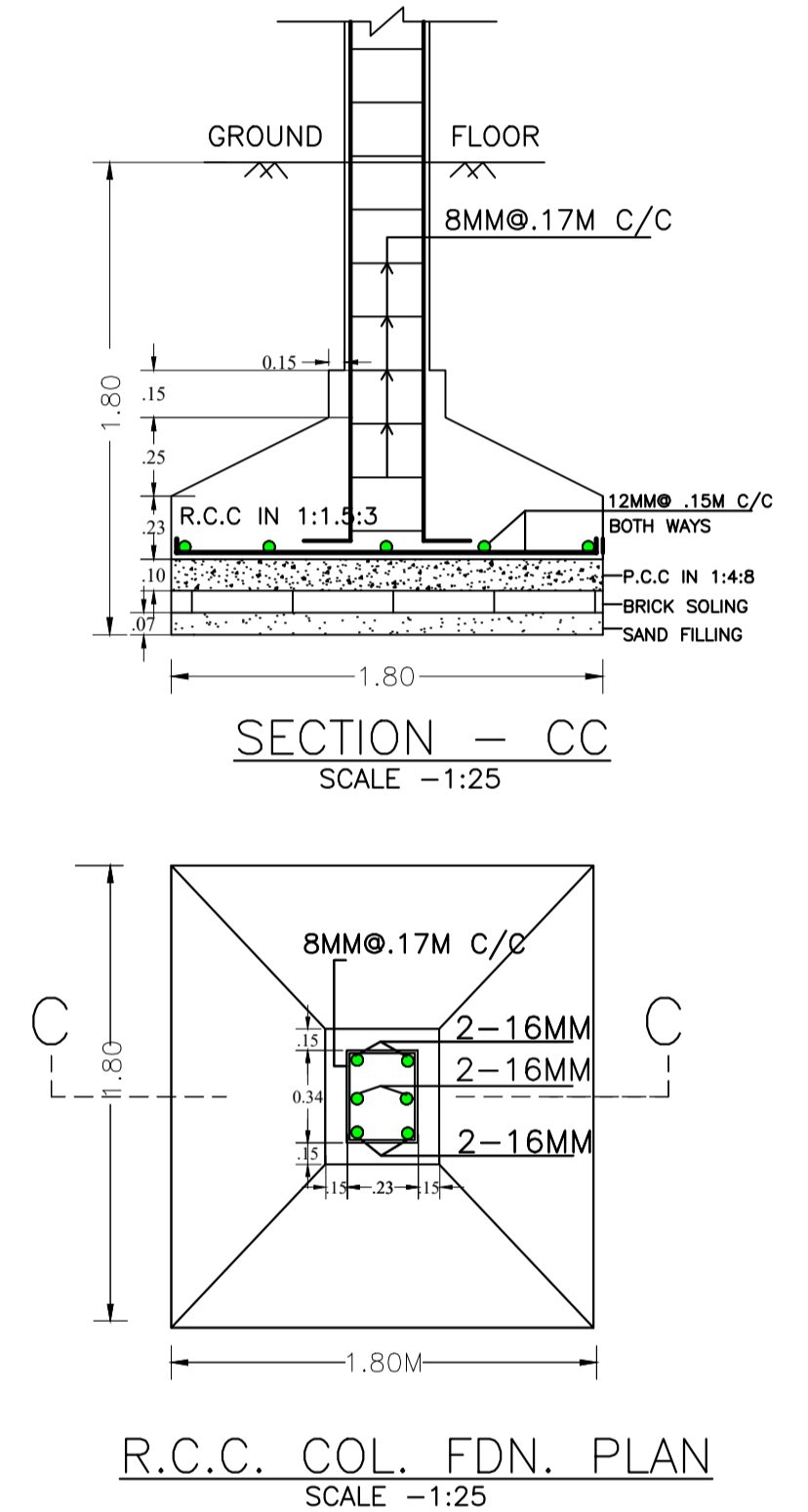
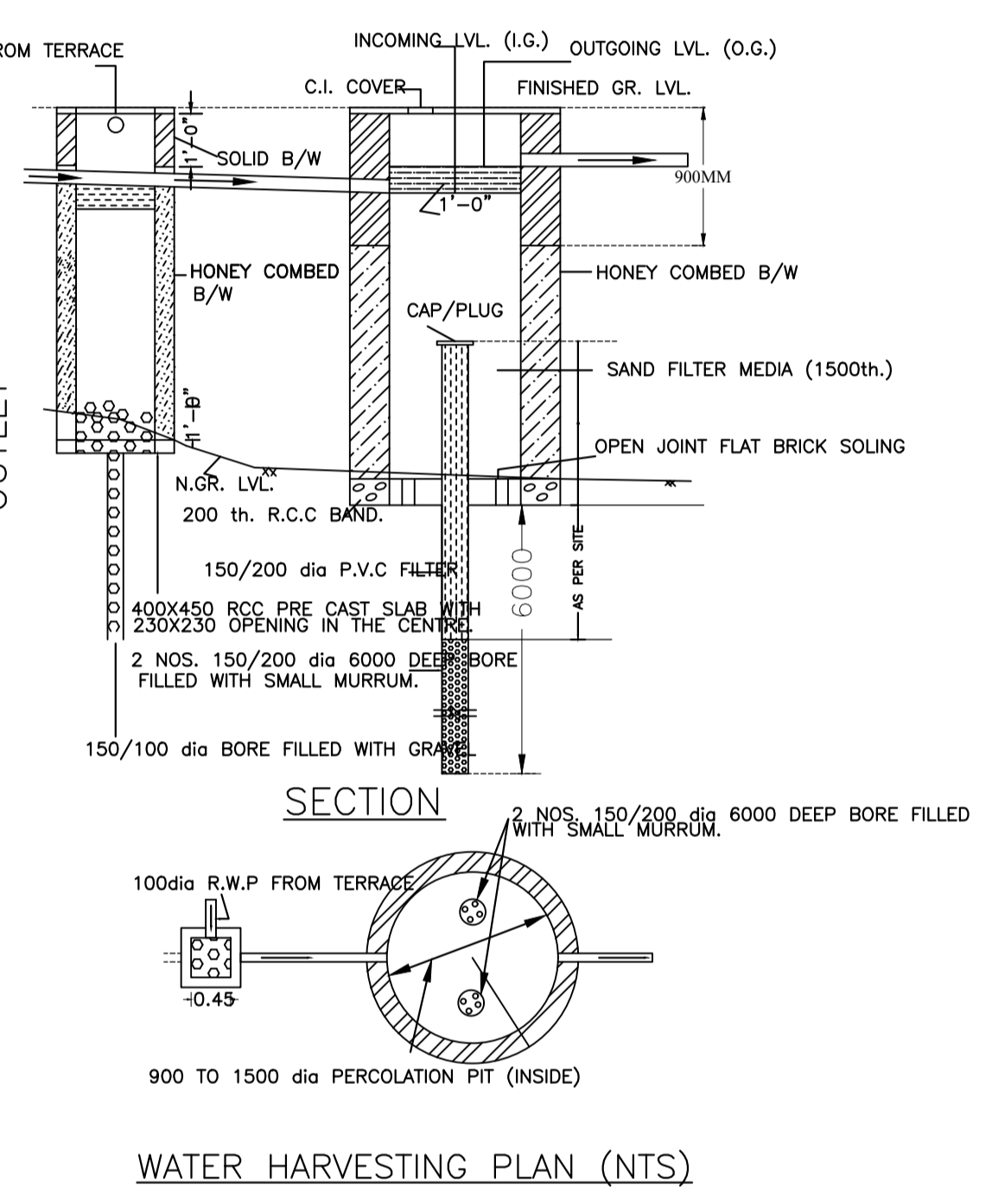
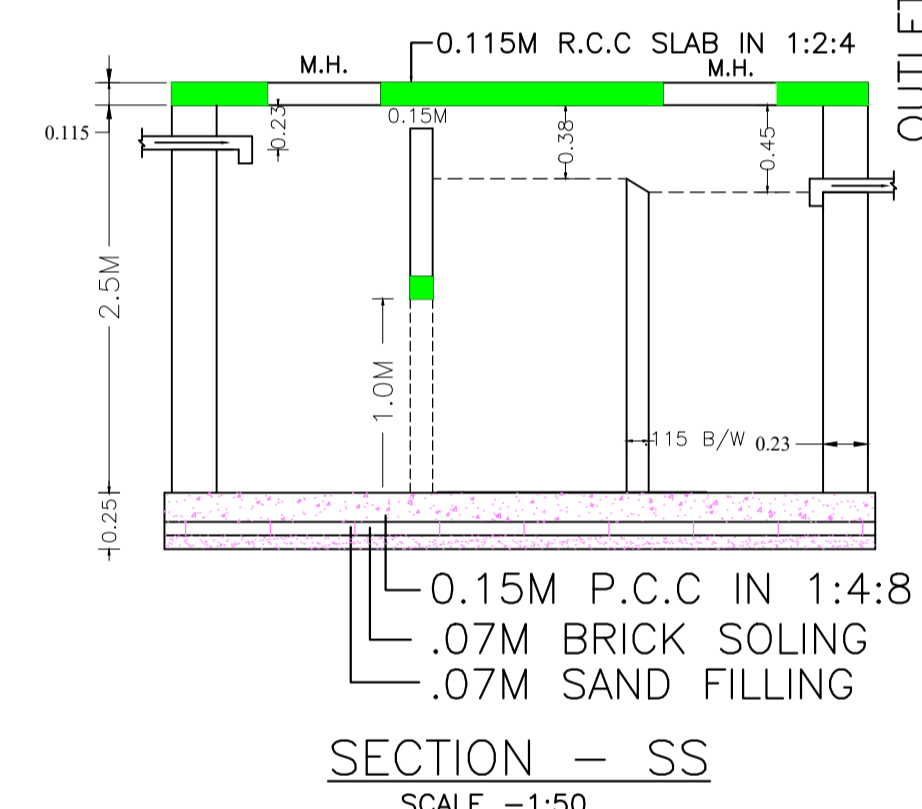
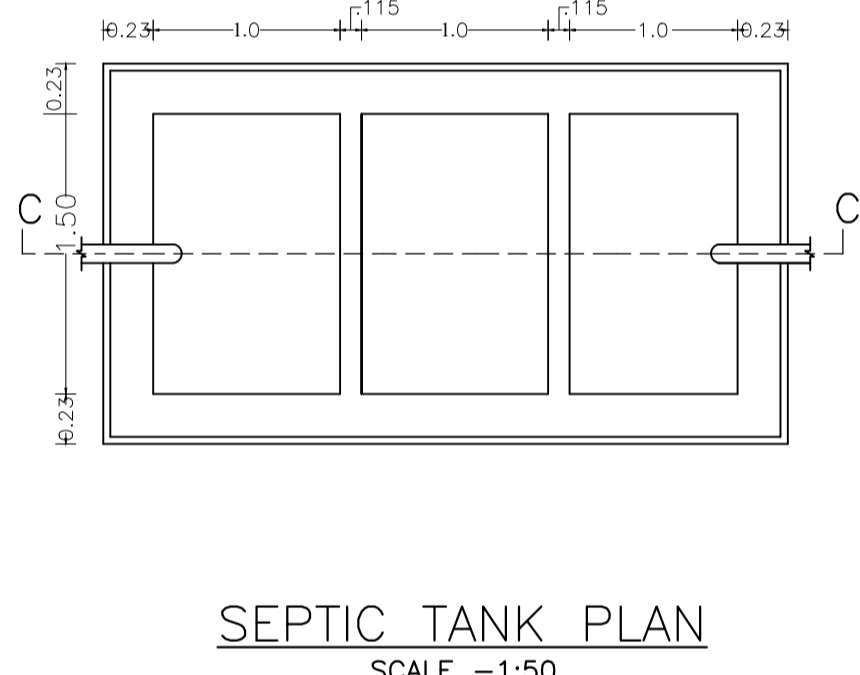
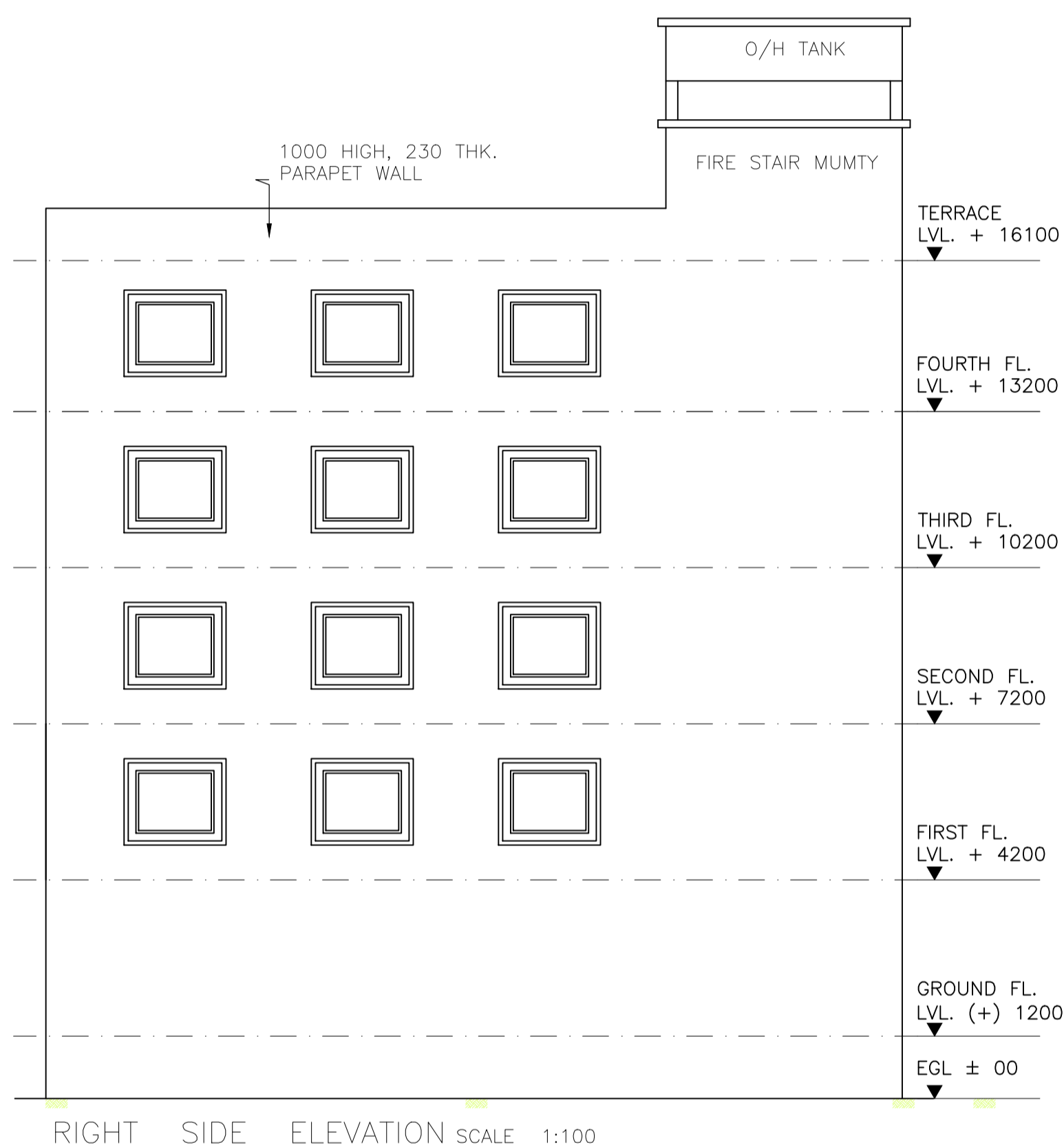


UnitBUA Table for Building :A (GANGA MEMORIAL)

FLOOR	Name	UnitBUA Type	Entity Type	UnitBUA Area	Carpet Area	No. of Rooms	No. of Tenement
GROUND FLOOR PLAN	GROUND FLOOR	Public Utility Area	Existing	299.04	290.57	5	1
FIRST FLOOR PLAN	FIRST FLOOR	OTHER	Existing	306.10	291.16	6	1
SECOND FLOOR PLAN	SECOND FLOOR	OTHER	Existing	284.11	269.16	2	1
THIRD FLOOR PLAN	THIRD FLOOR	OTHER	Proposed	284.11	269.16	2	1
FOURTH FLOOR PLAN	FIFTH FLOOR	OTHER	Proposed	284.11	269.16	2	1
Total:	-	-	-	1457.47	1389.21	17	5

LTP NAME AND SIGNATURE	STRUCTURAL ENG'S NAME AND SIGNATURE	DESIGNER NAME AND SIGNATURE	AUTHOR NAME AND SIGNATURE
Kunal Sinha Mahapatra MNAC/ENG/0006/2017			

Proposal Basic Information	
Proposal File No.	MNAC/BP/0056/W09/2022
Owner Name	RANJU KUMARI
Khata No	281
Plot No	2117, 2118
Village Name	Mango
Use	Medical
SubUse	Nursing Home



LTP NAME AND SIGNATURE	STRUCTURAL ENG'S NAME AND SIGNATURE	SEAL/DERENAME AND SIGNATURE	AUDITOR'S NAME AND SIGNATURE
Kunal Sinha Mahapatra MNAC/ENG/0006/2017			