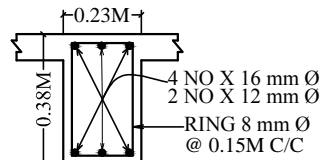
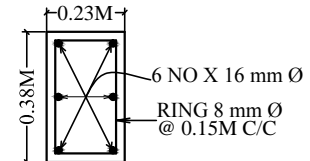


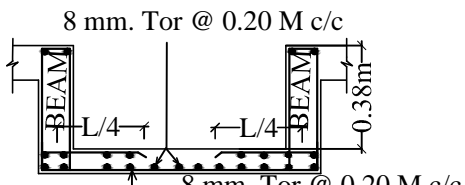
SECTION OF TYPICAL FLOOR BEAM



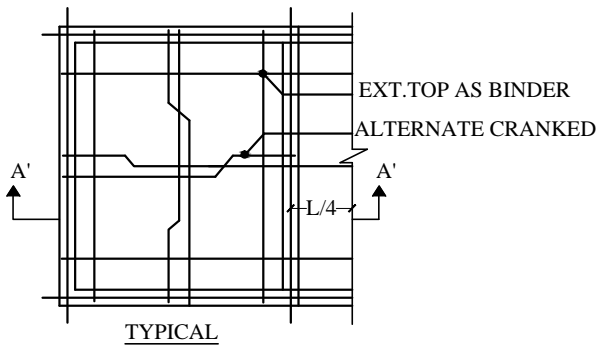
C.S. OF ROOF BEAM  
SIZE - 0.23M X 0.38M



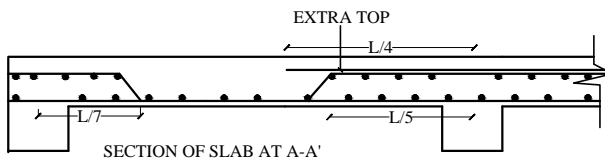
C.S. OF COLUMN  
SIZE - 0.23M X 0.38M



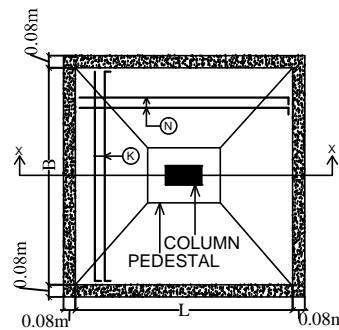
THICKNESS OF SLAB = 0.11m



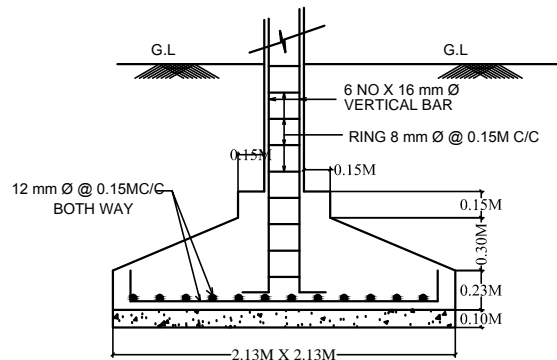
TYPICAL



SECTION OF SLAB AT A-A'



PLAN OF ISOLATED FOOTING



SECTION OF FOOTING  
SIZE - 2.13M X 2.13M

Structure Detail