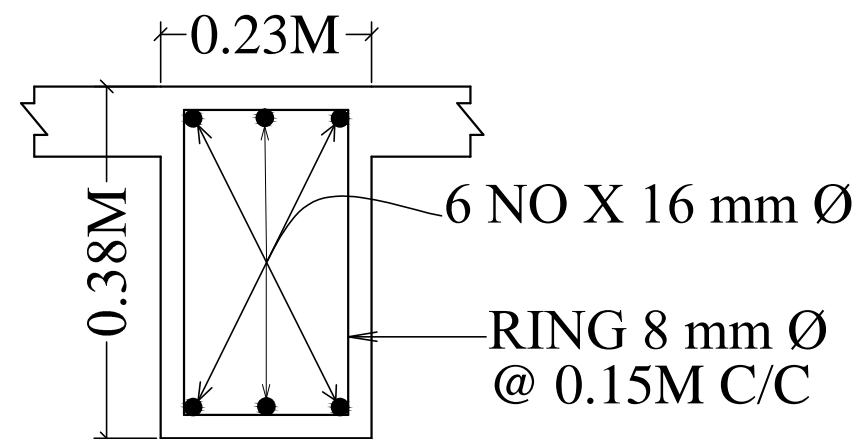
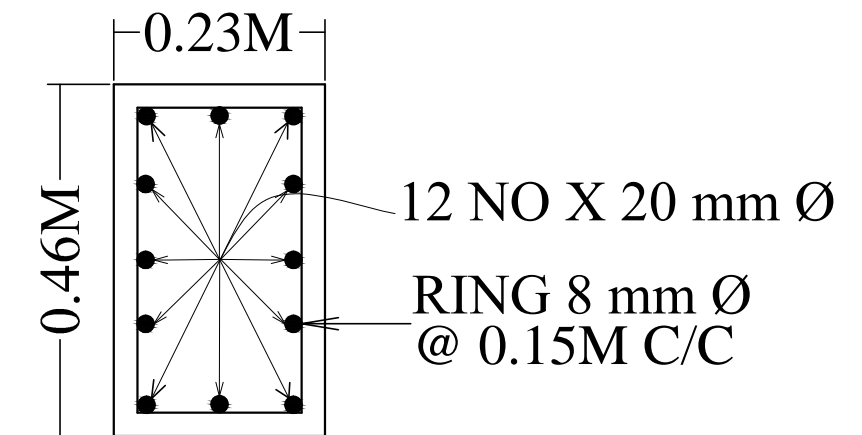


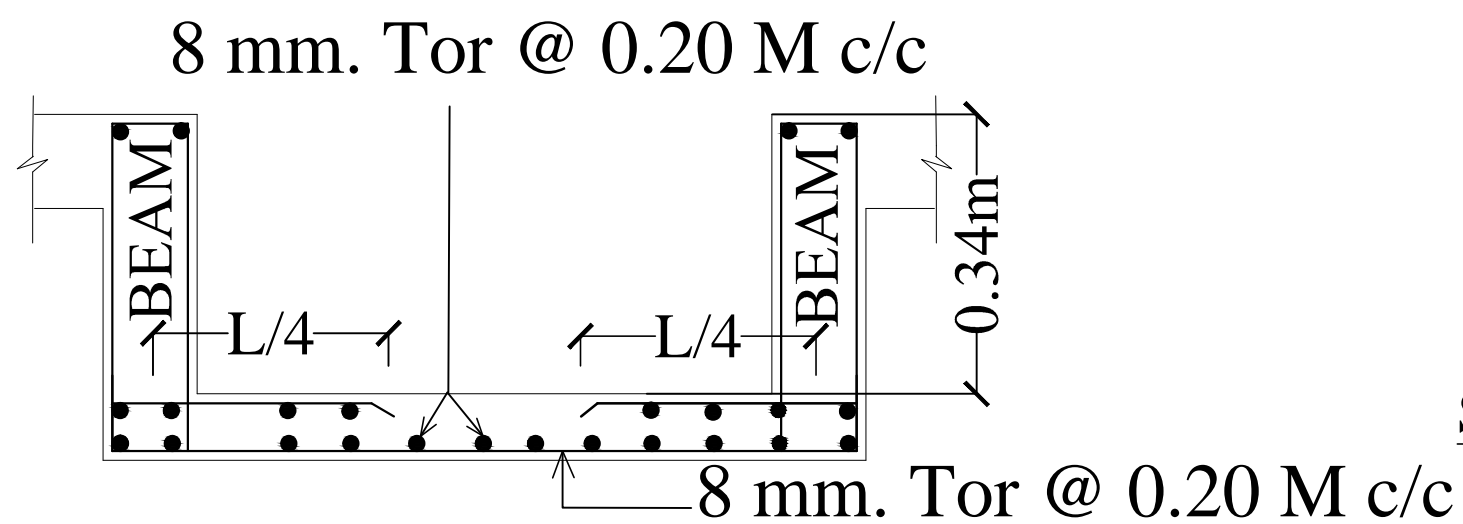
**SECTION OF TYPICAL ROOF BEAM**



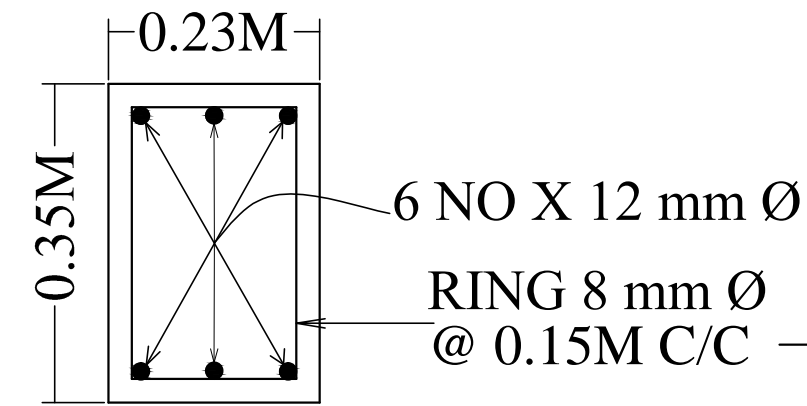
**C.S. OF ROOF BEAM  
SIZE - 0.23M X 0.38M**



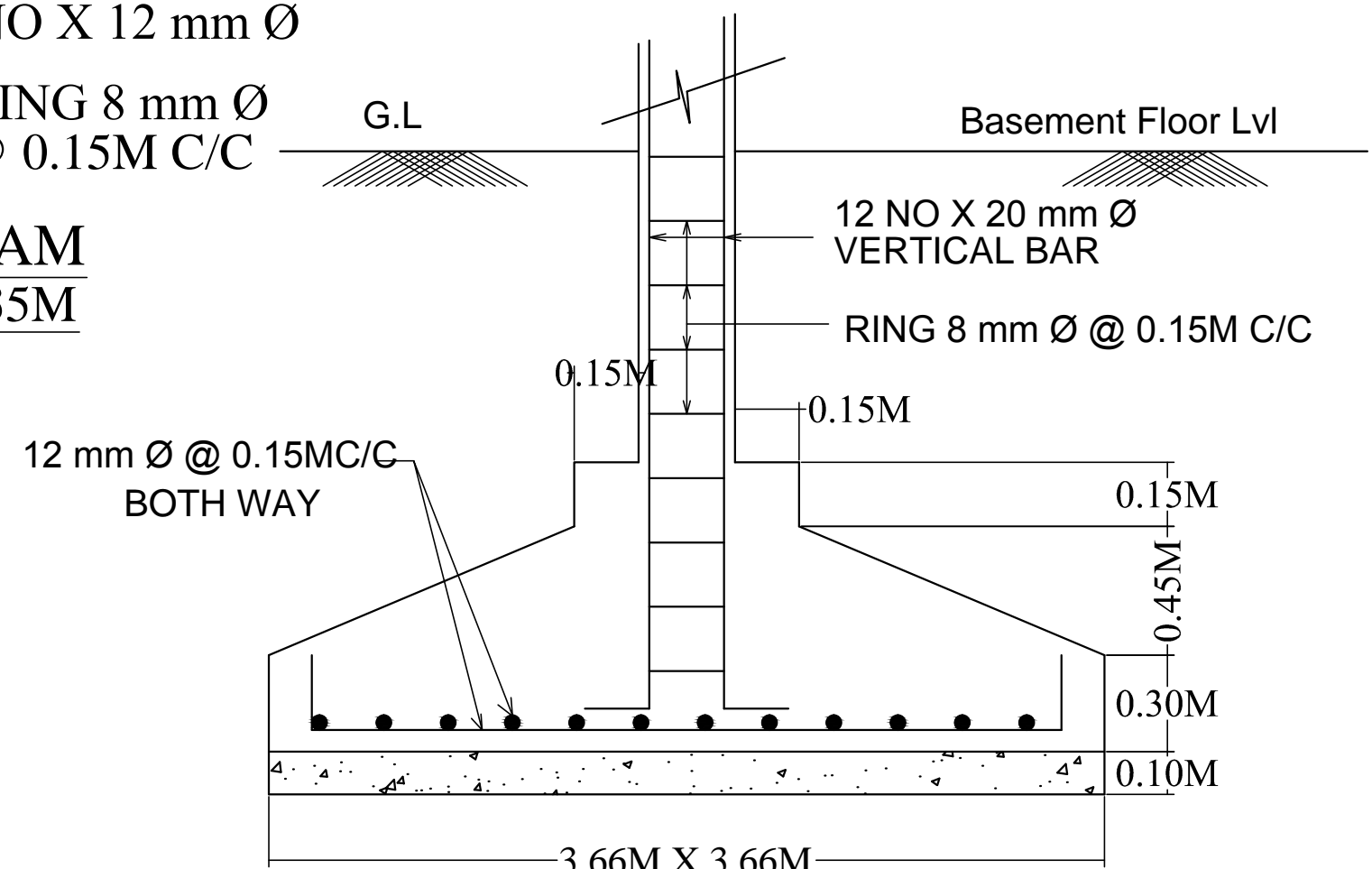
**C.S. OF COLUMN .  
SIZE - 0.23M X 0.46M**



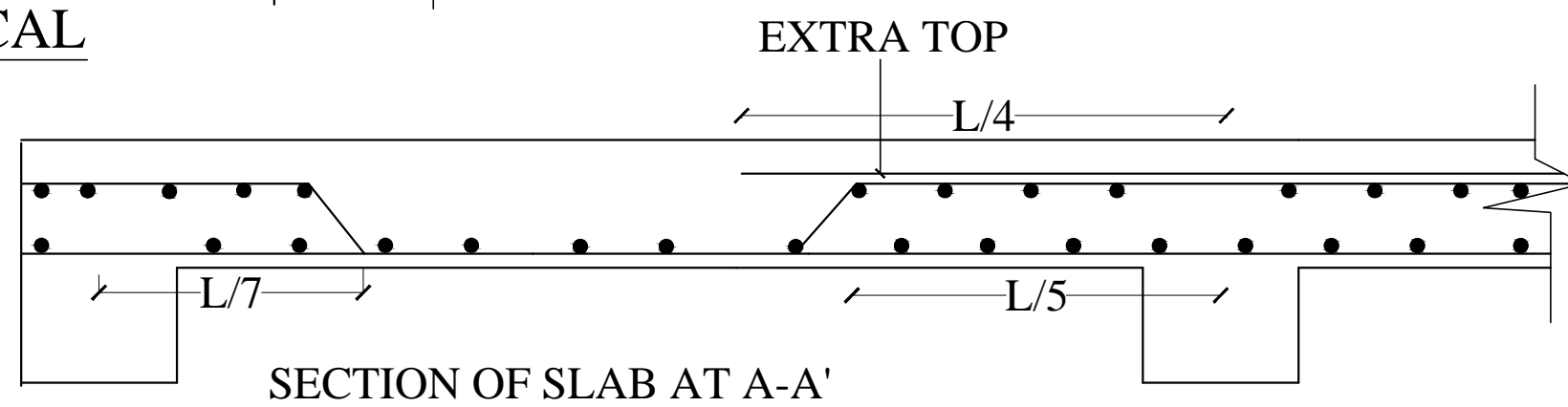
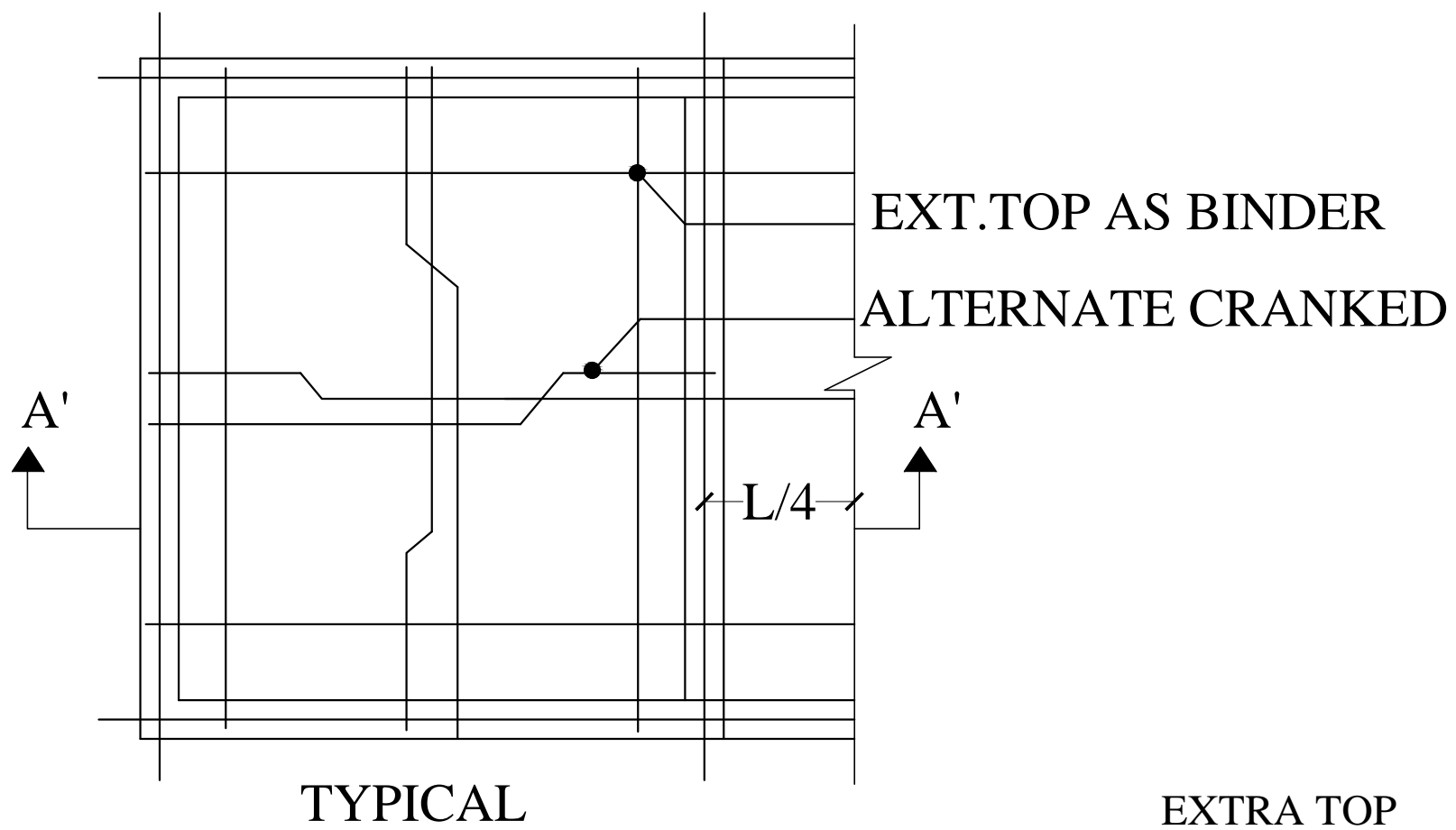
**THICKNESS OF SLAB = 0.11m**



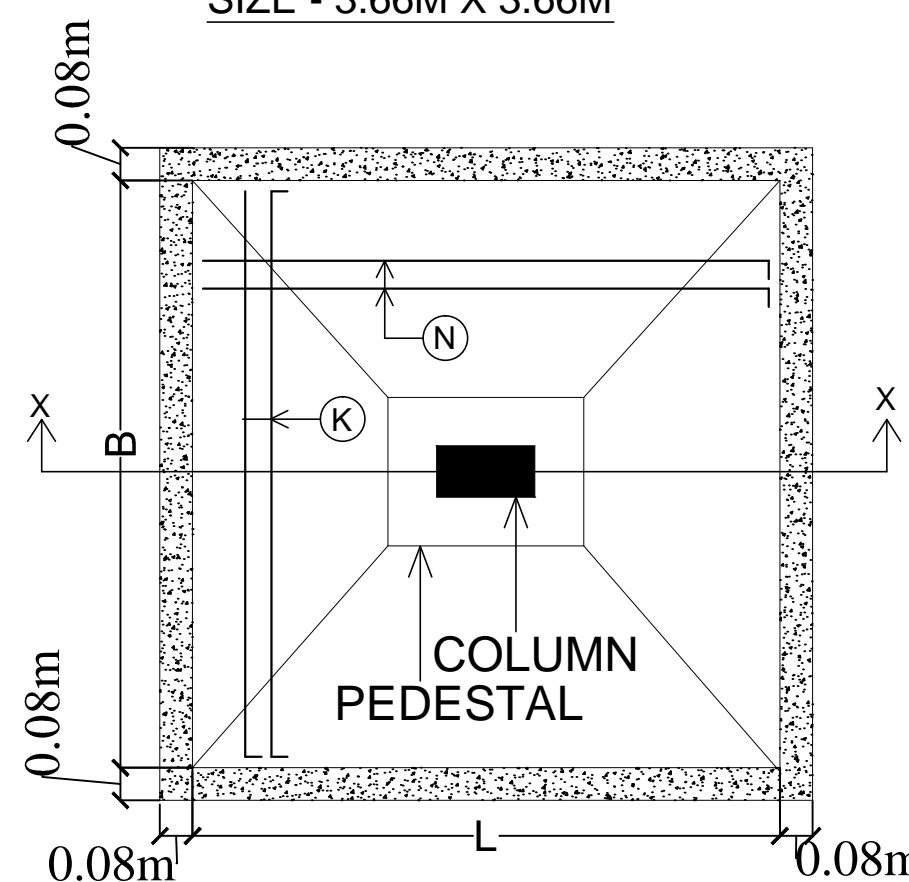
**C.S. OF TIE BEAM  
SIZE - 0.23M X 0.35M**



**SECTION OF FOOTING .  
SIZE - 3.66M X 3.66M**



**SECTION OF SLAB AT A-A'**



**PLAN OF ISOLATED FOOTING**

Structure Detail NOTE:- STRUCTURAL DETAIL MAY CHANGE AS PER DESIGN.