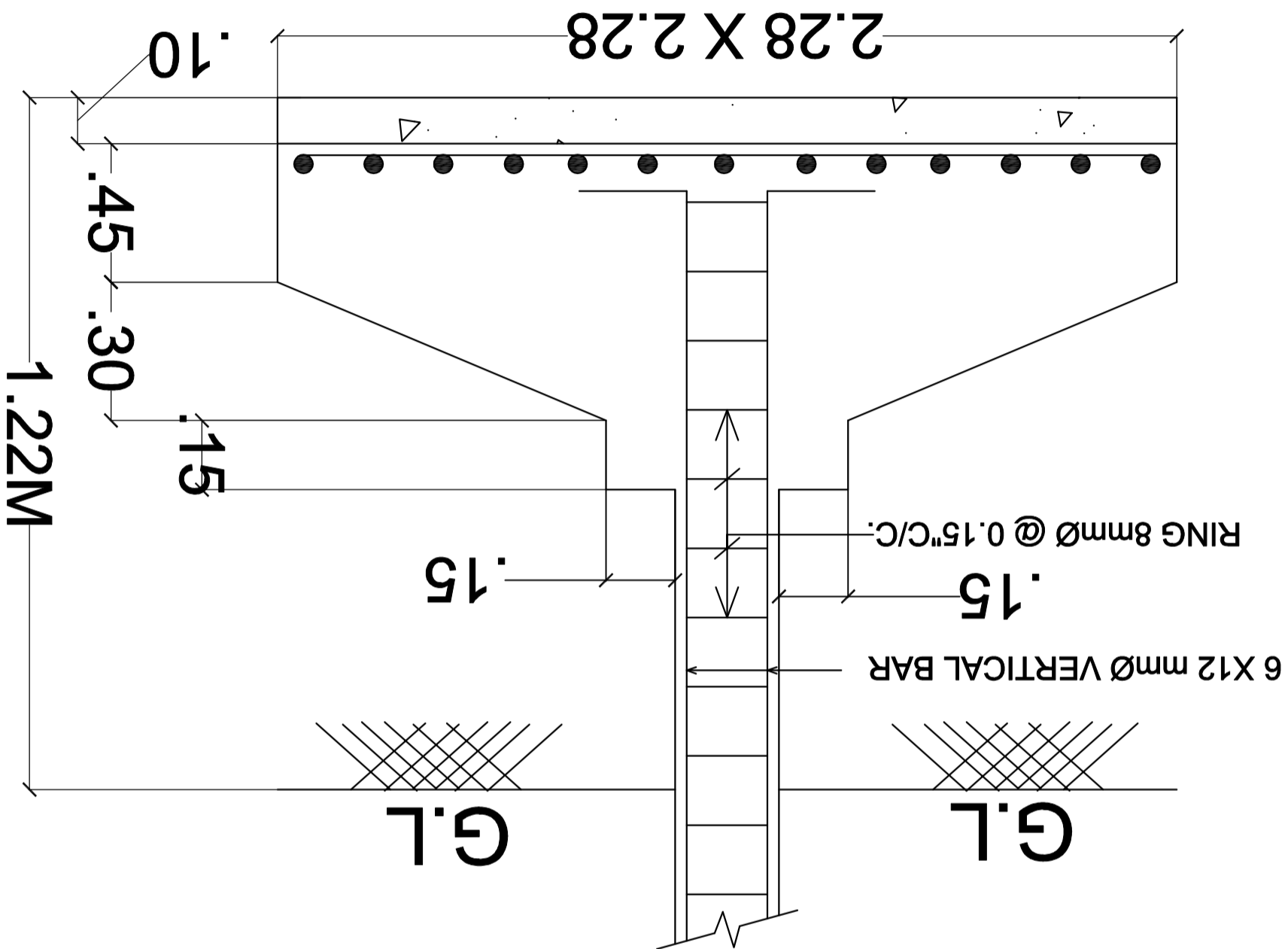


Structure Detail

SECTION OF FOOTING



SECTION OF COLUMN.

