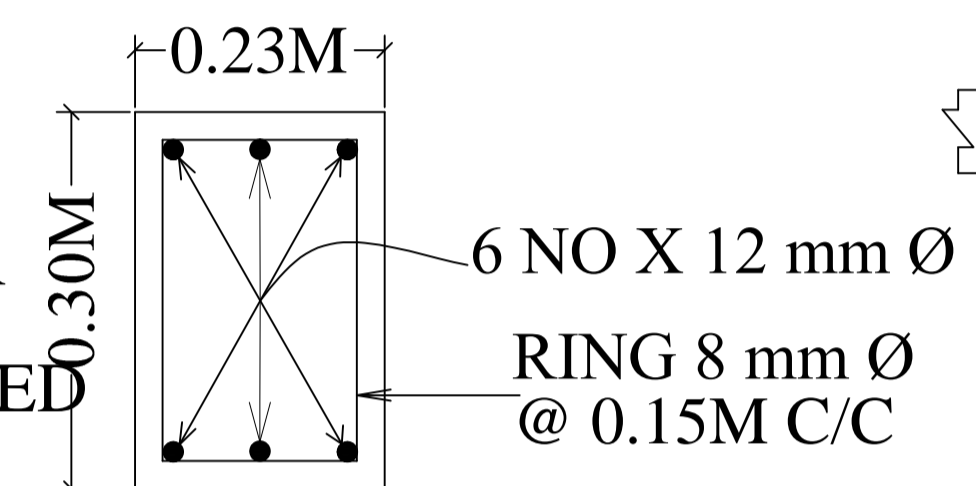
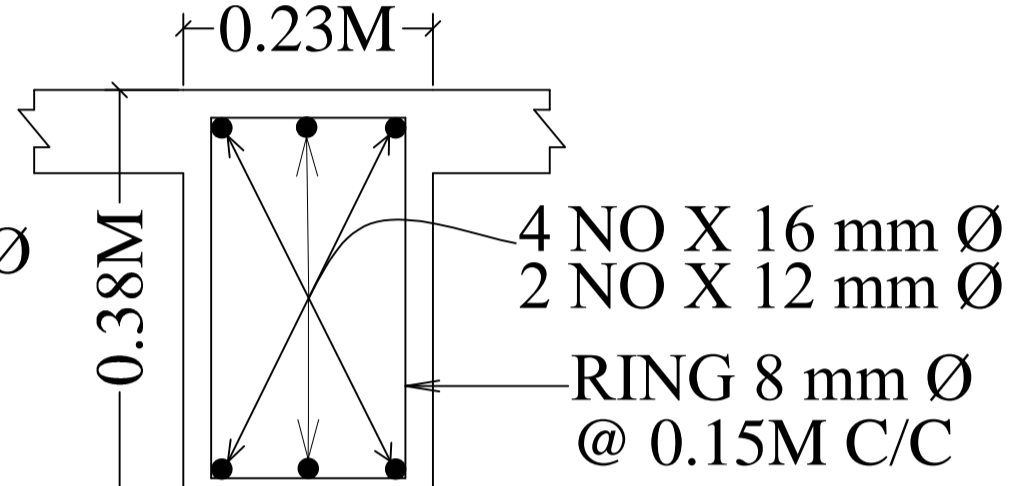


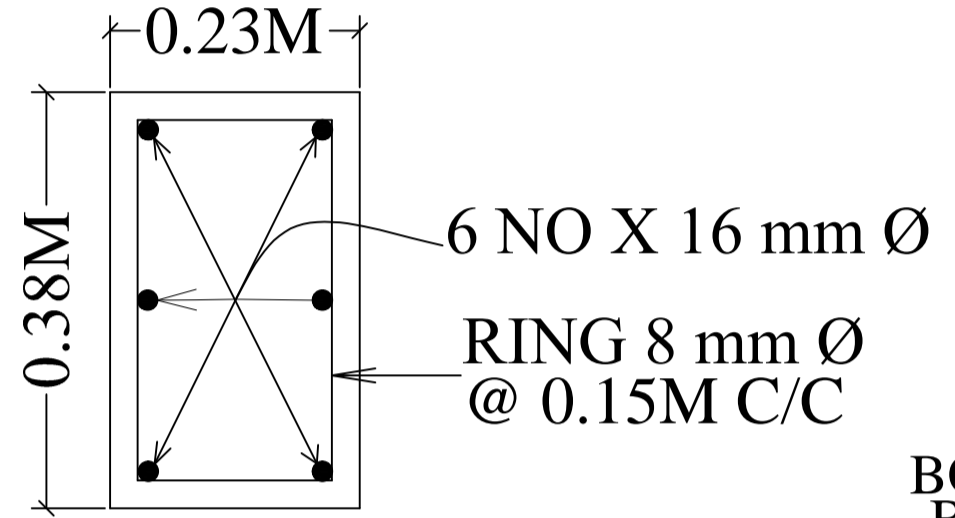
EXT. TOP AS BINDER  
ALTERNATE CRANKED



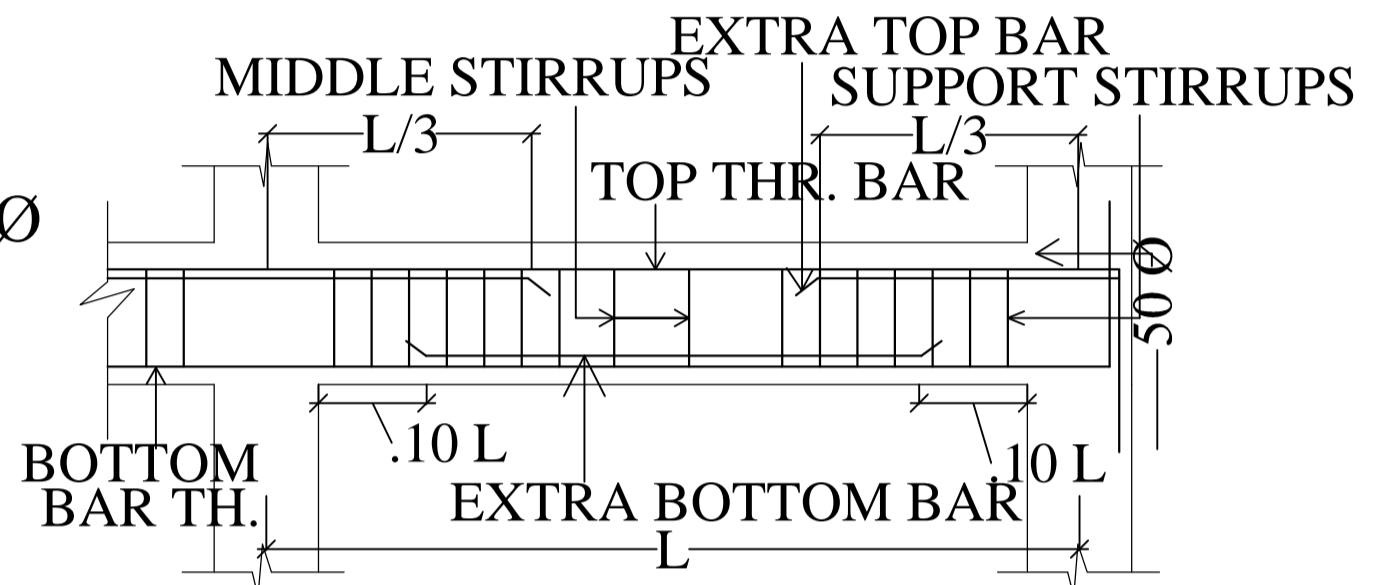
C.S. OF TIE BEAM  
SIZE - 0.23M X 0.30M



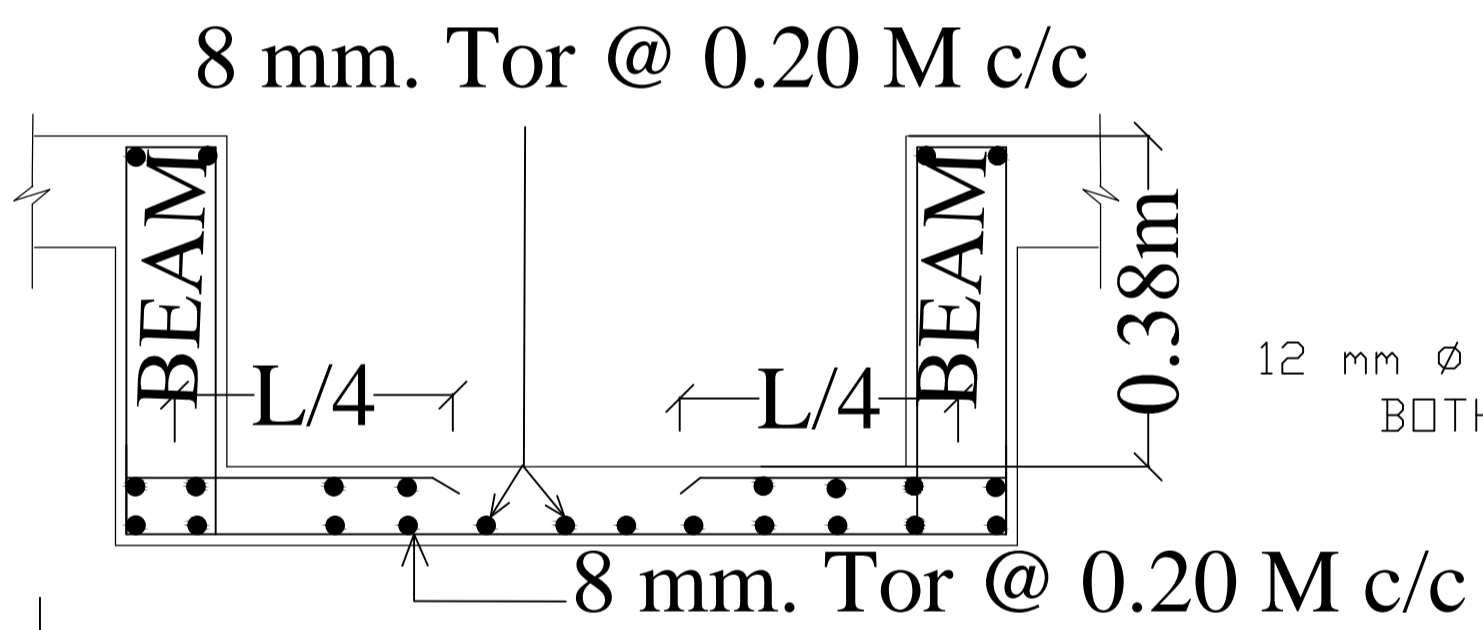
C.S. OF ROOF BEAM  
SIZE - 0.23M X 0.38M



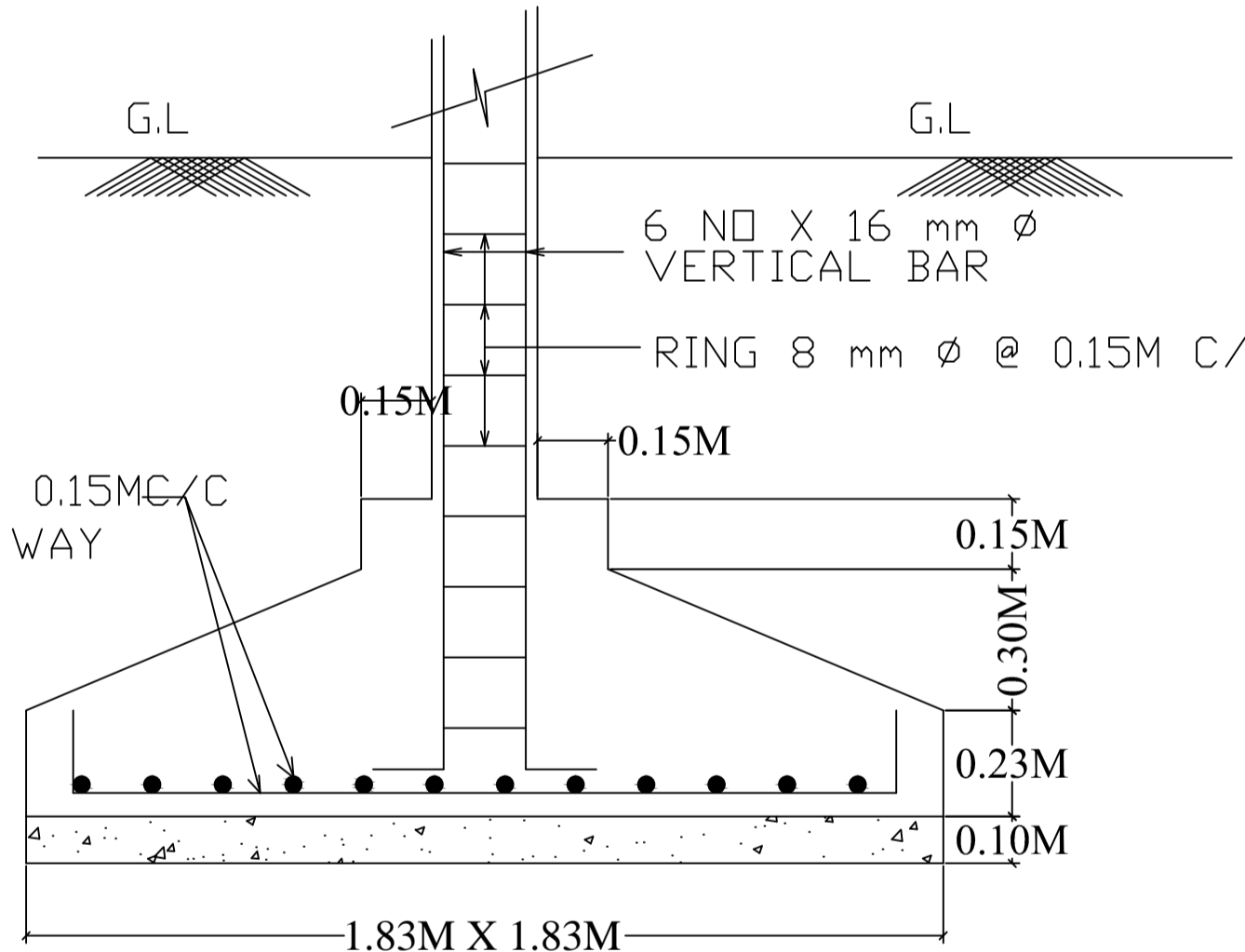
C.S. OF COLUMN  
SIZE - 0.23M X 0.38M



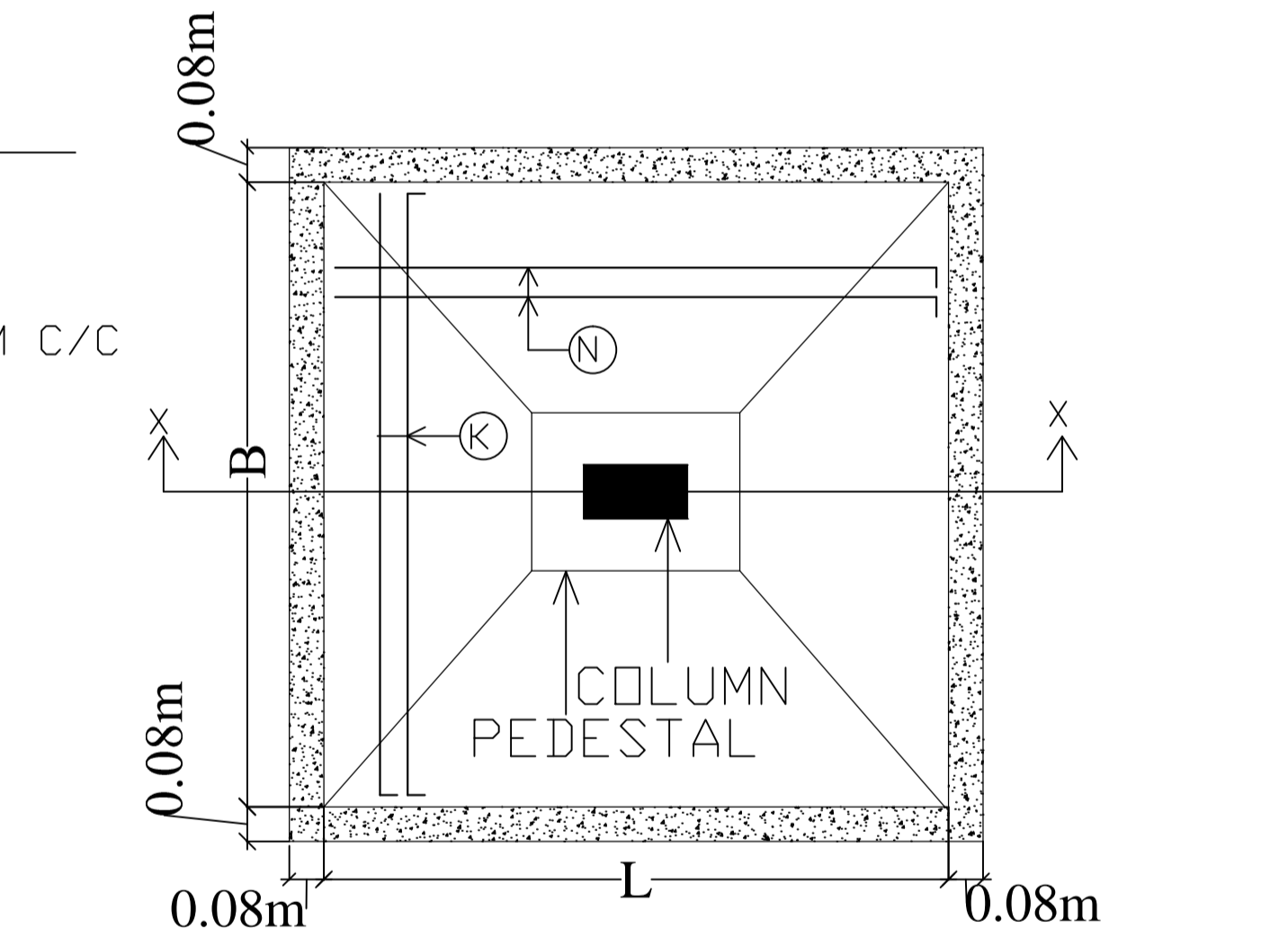
SECTION OF TYPICAL FLOOR BEAM



THICKNESS OF SUNKEN  
SLAB = 0.115m

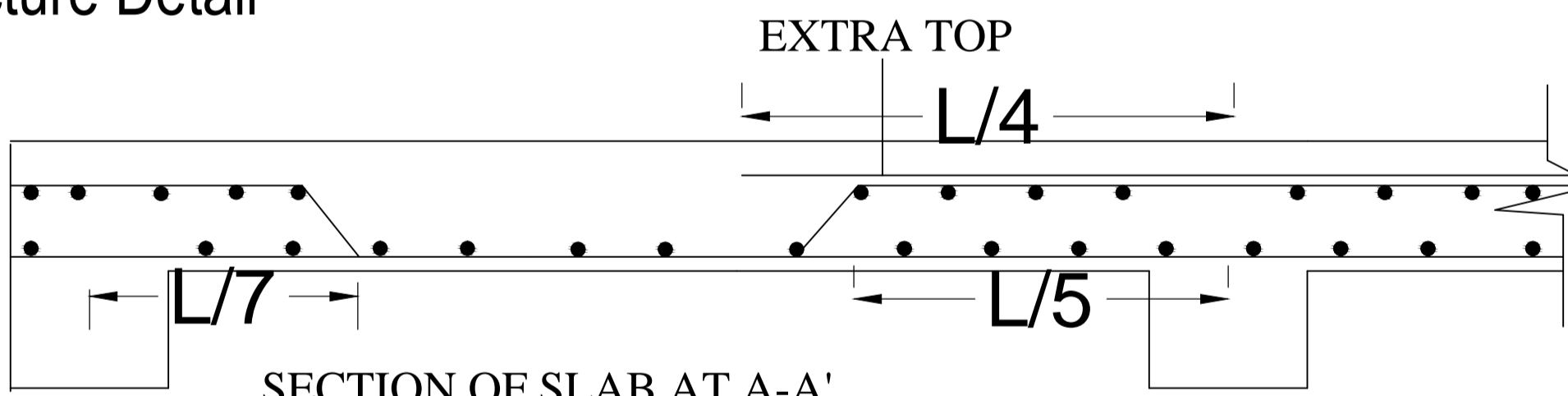


SECTION OF FOOTING  
SIZE - 1.83M X 1.83M



PLAN OF ISOLATED FOOTING

Structure Detail



SECTION OF SLAB AT A-A'