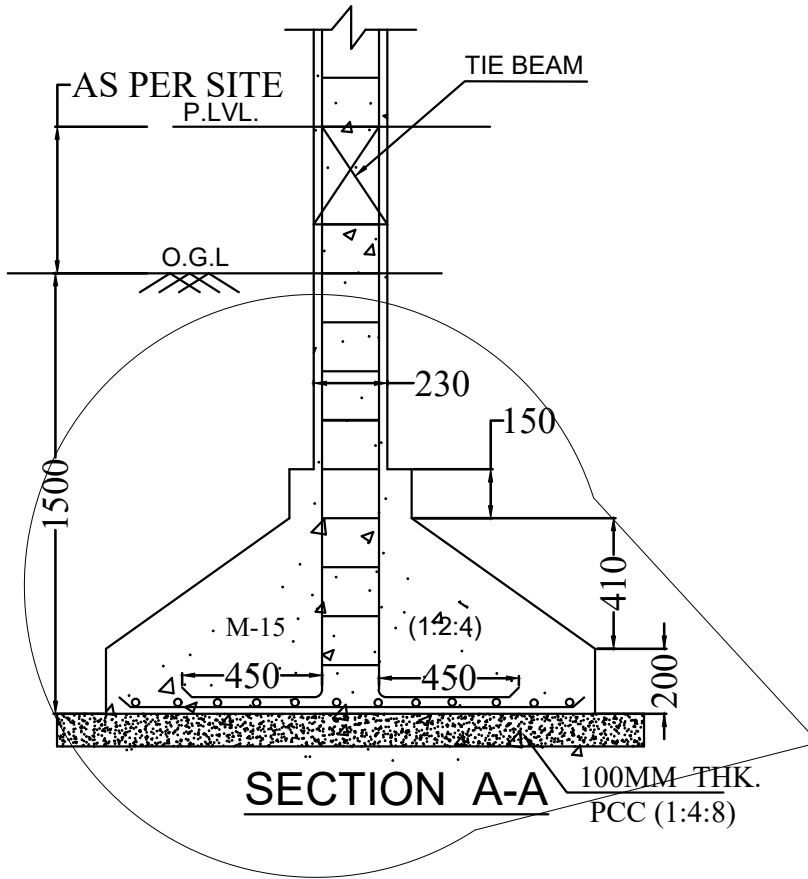
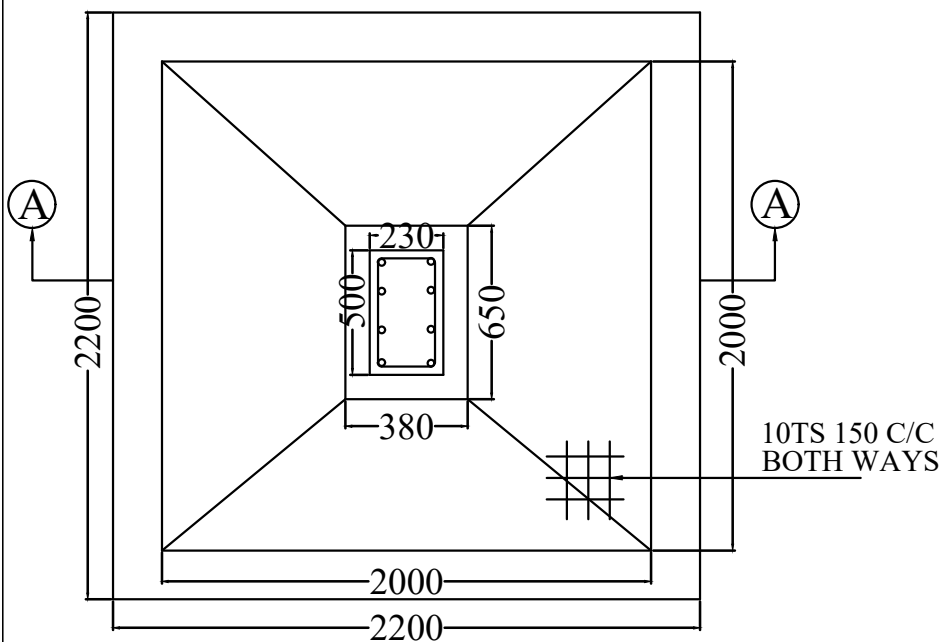


C/S OF COL.



SECTION A-A 100MM THK. PCC (1:4:8)



PLAN

Structure Detail

FOOTING PLAN (AS PER DESIGN)
SCALE: N.T.S