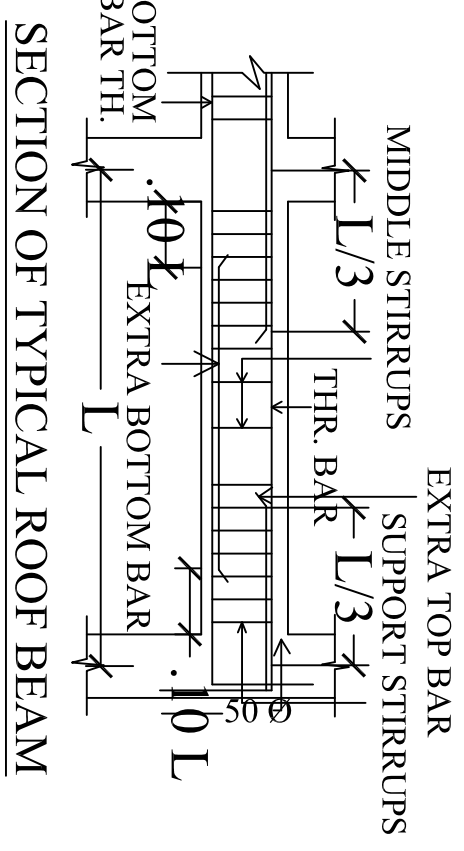
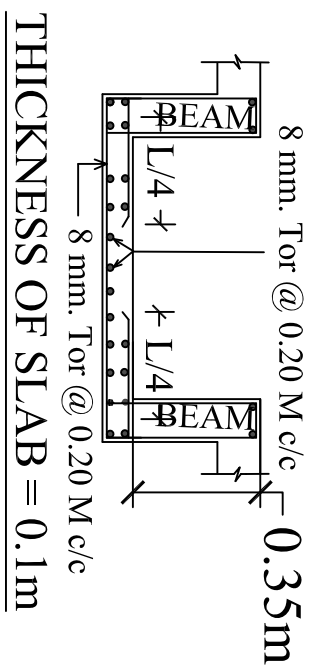
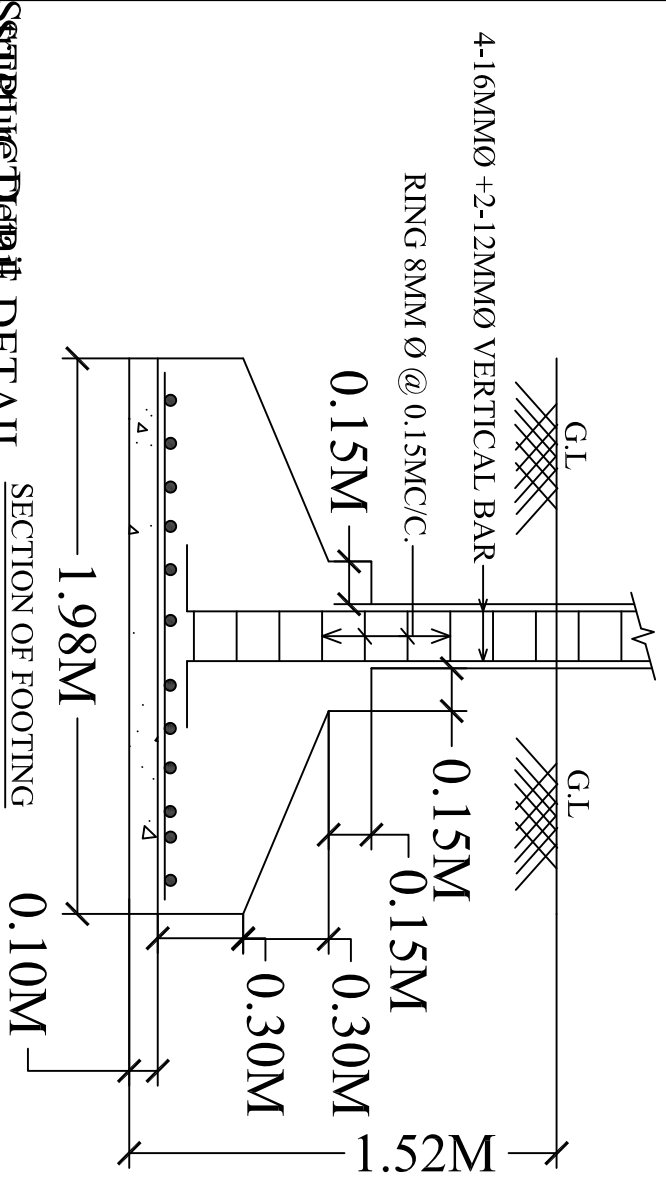


SECTION OF COLUMN.

SECTION OF SLAB AT A-A'

TYPICAL



THICKNESS OF SLAB = 0.1m

SECTION OF TYPICAL ROOF BEAM