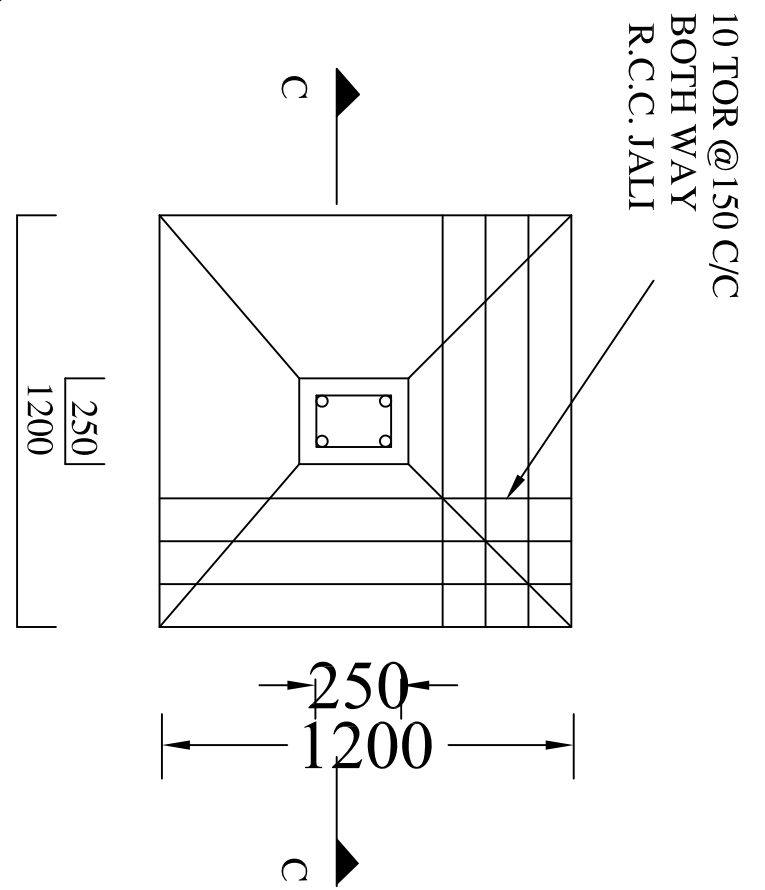
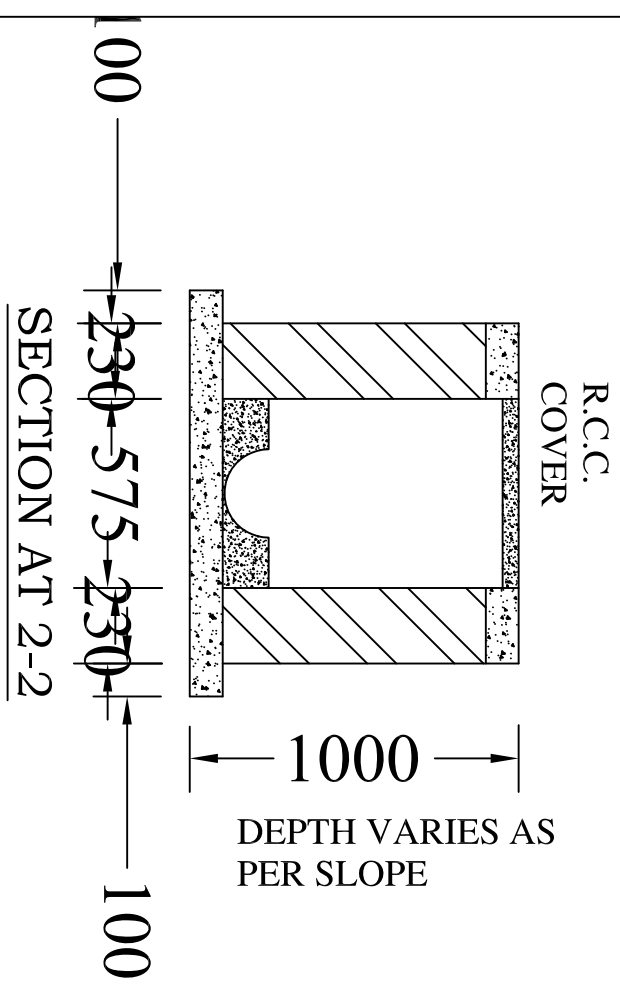


SECTION -CC

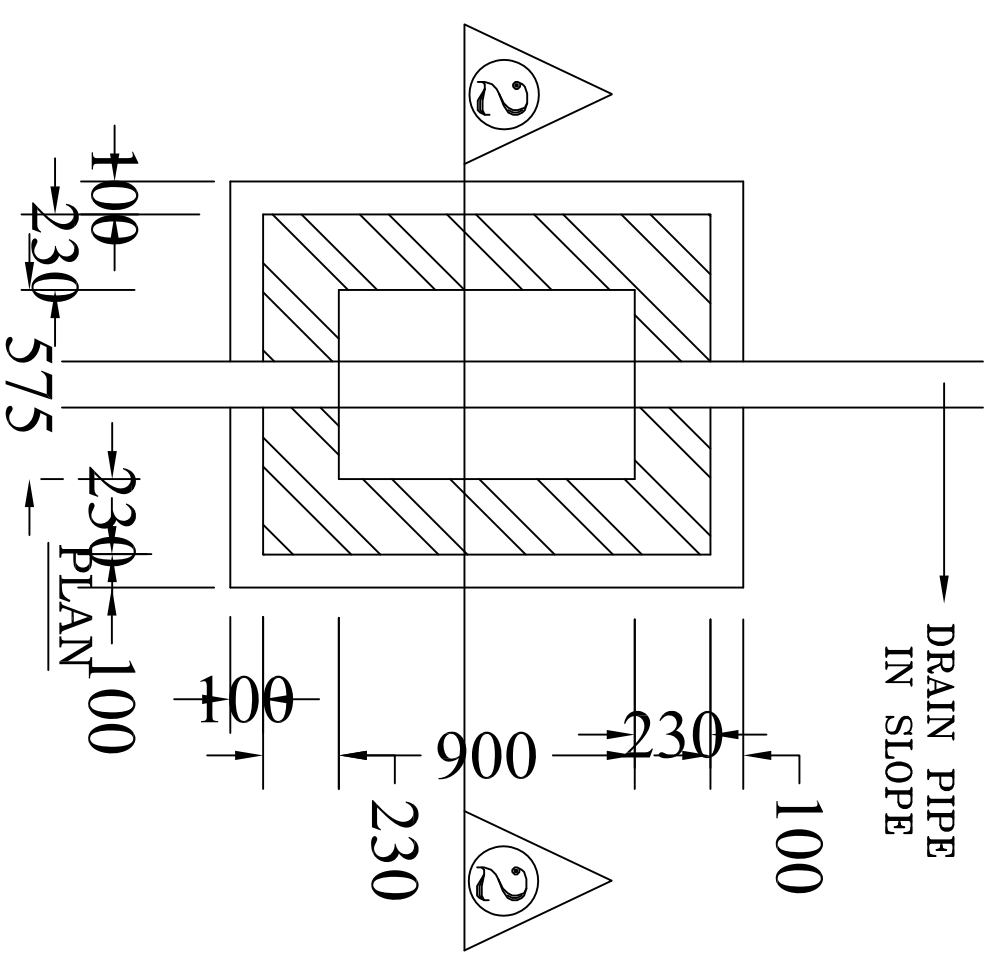


DETAIL OF FOUNDATION



SECTION AT 2-2

STRUCTURE DETAIL



I.C. DETAILS